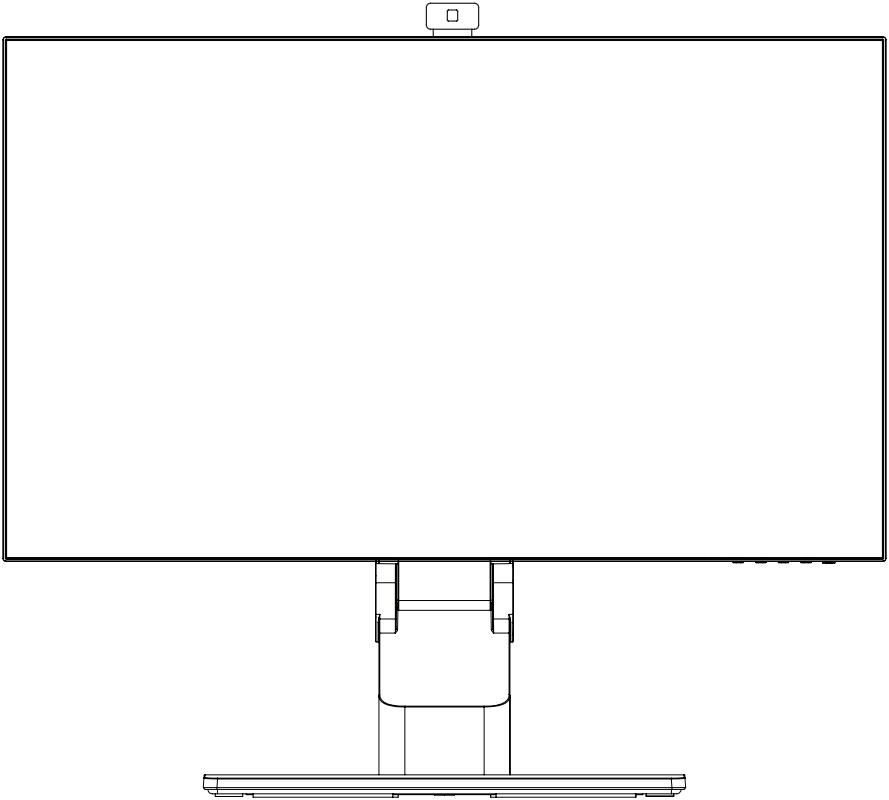


**Clarity Fold Touch**

27" Touchscreen with 8MP Webcam



Quick Start Guide

Schnellstartanleitung

Guida Rapida

Guide de démarrage  
rapide

Guía de inicio rápido

クイックスタートガイド

دليل البدء السريع

# Content

English .....	6
Deutsch .....	11
Lenguas Españolas .....	16
Français .....	21
Italiano .....	26
日本語 .....	31
عربي .....	36

Quick Start Guide

Schnellstartanleitung

Guida Rapida

Guide de démarrage rapide

Guía de inicio rápido

クイックスタートガイド

دليل البدء السريع

## macOS Drivers for Clarity Pro Touch



[EN](#) Download Drivers

[DE](#) Treiber Herunterladen

[ES](#) Descargar controladores

[FR](#) Télécharger les pilotes

[IT](#) Scarica i driver

[JP](#) ドライバーをダウンロードする

[AR](#) تنزيل برامج التشغيل

[EN](#) Setup and Troubleshooting

[DE](#) Einrichtung und Fehlerbehebung

[ES](#) Configuración y solución de problemas

[FR](#) Configuration et dépannage

[IT](#) Configurazione e risoluzione dei problemi

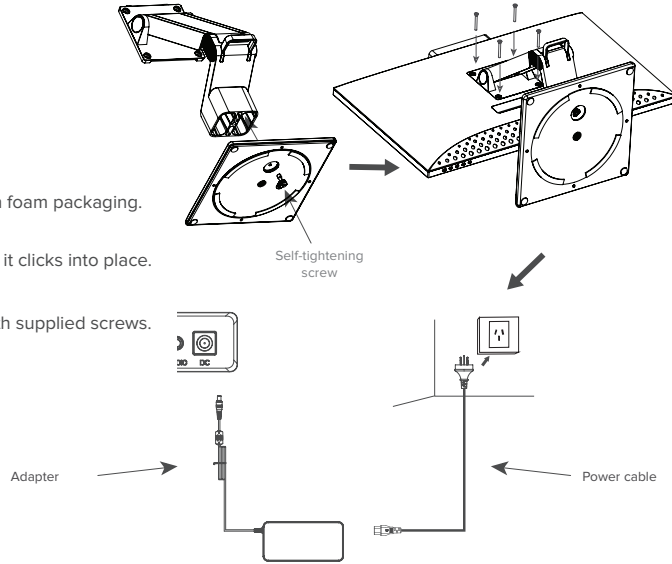
[JP](#) セットアップとトラブルシューティング

[AR](#) الإعداد واستكشاف الأخطاء وإصلاحها

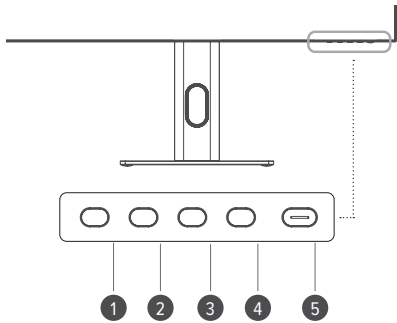
## Getting Started with your new Clarity

### Assembly

- 1 Attach stand stem to base.
- 2 Tighten screw under base.
- 3 Lay monitor screen-down in foam packaging.
- 4 Insert stand into cavity until it clicks into place.
- 5 Secure stand to monitor with supplied screws.
- 6 Connect to power.



### Changing Clarity's Settings



	When Menu is Closed	When Menu is Open
1	Open Menu	Confirm
2		Left/Up
3		Right/Down
4		Cancel
5	On/Off	On/Off

## How we recommend you connect to Clarity

### Best Option



### USB-C

Connects your computer to everything with one cable. (Requires USB-C DP Alt Mode or Thunderbolt 3 / 4)

### For Computers Without: USB-C DP Alt Mode or Thunderbolt 3 / 4



### HDMI or DisplayPort

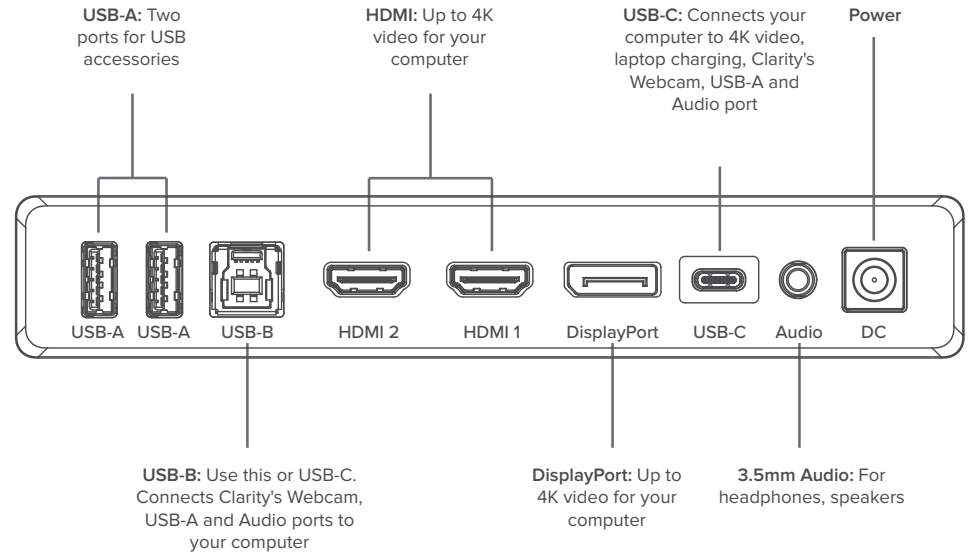
Both connect your computer to 4K video. Use whichever your computer supports.



### USB-B

Connects you to Clarity's Webcam, USB-A and 3.5mm Audio ports.

## Understanding Clarity's Ports

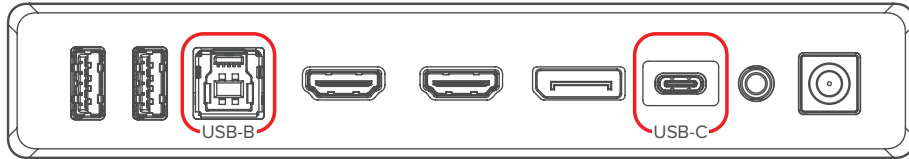


## Using Clarity Pro Touch with your MacBook

When using Clarity Pro Touch with an Apple Computer\*, you need to complete the steps below to enable all the touchscreen's features.

### How to connect Clarity Pro Touch

- 1 To use Clarity Pro Touch's touch controls, you need to connect your computer to either of Clarity Pro Touch's data carrying ports: USB-C or USB-B.



- 2 Set Clarity Pro Touch's "Active USB" to the port you're using to connect. (Clarity's Menu -> USB Options -> Switch Active USB -> Type-B or Type-C).

### Downloading our Clarity Pro Touch drivers for macOS

Scan the QR codes below to download our Clarity Pro Touch's macOS drivers and to read our installation & troubleshooting guide. If you have other questions, please contact [support@alogic.co](mailto:support@alogic.co)



Download Drivers

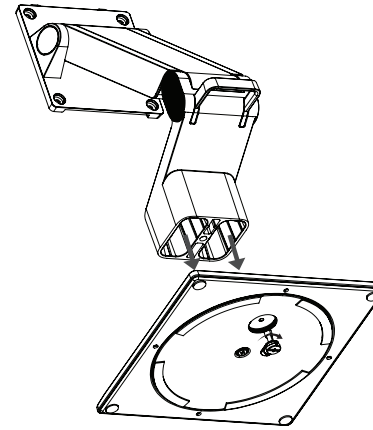


Setup and Troubleshooting

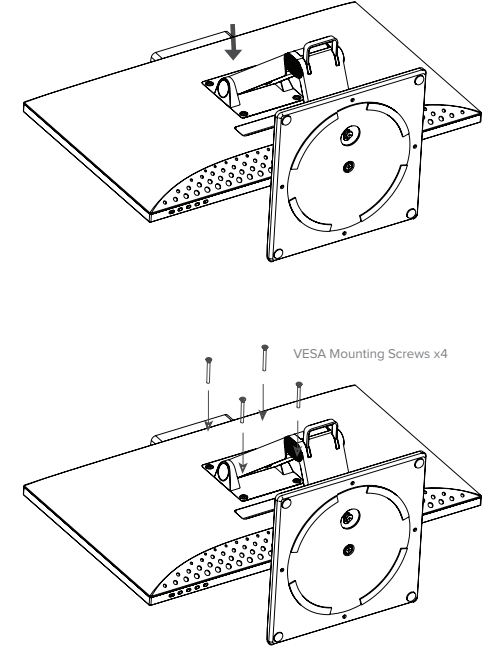
\*Clarity Pro Touch does not require drivers for use with Windows or Chromebooks.



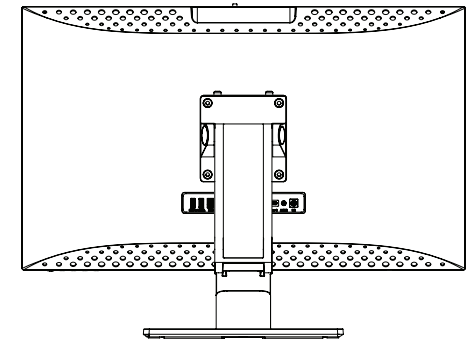
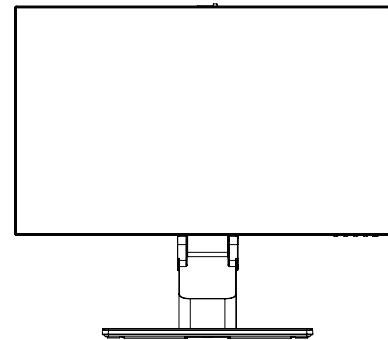
- 1 **Warning:** Stand may spring open with force when safety band is removed



2

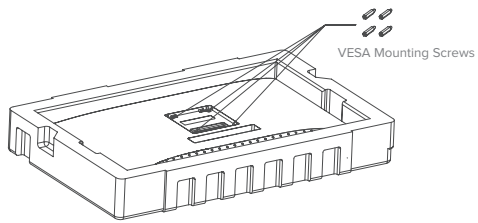


3

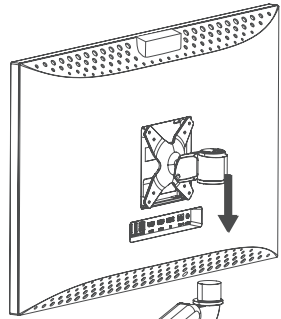




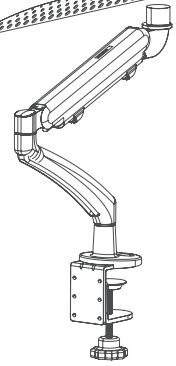
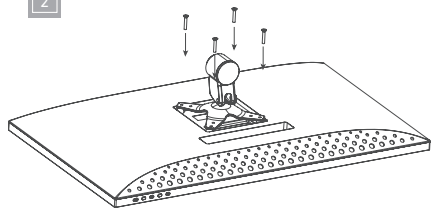
1



3



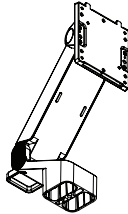
2



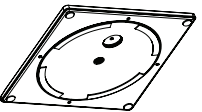
1



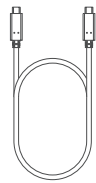
2



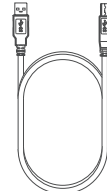
3



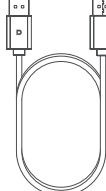
4



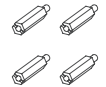
5



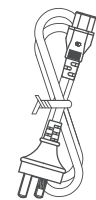
6



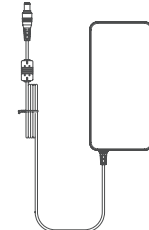
7



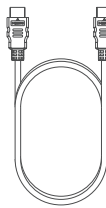
8



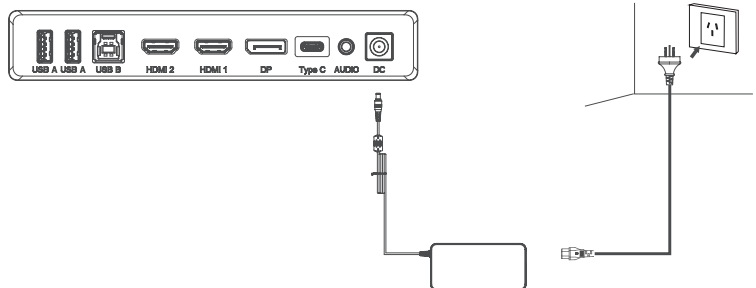
9



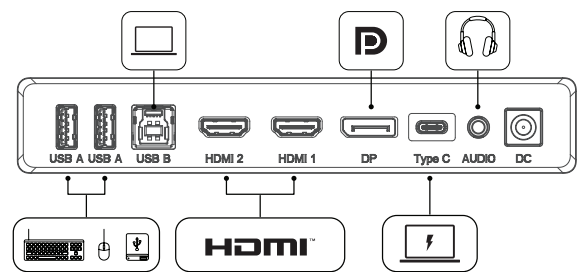
10



1



2



Package Contents

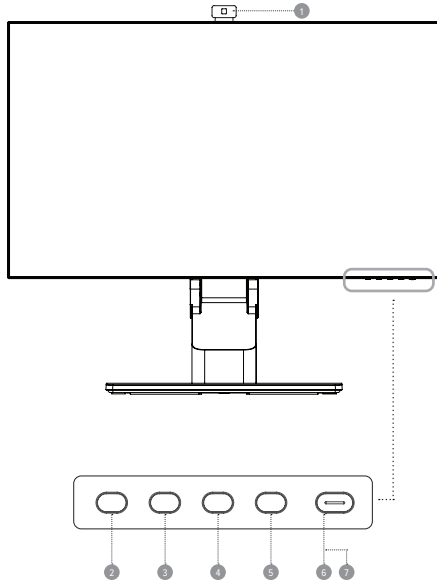
1	Clarity Touch Monitor
2	Fold Stand Stem
3	Fold Stand Base
4	USB-C Cable (USB3.2 - Gen1)
5	USB-A to USB-B Cable

6	DisplayPort Cable
7	4x Screws (for attaching stand)
8	Power Cable (AC 100-240V, 50/60Hz)
9	Power Adapter
10	HDMI to HDMI Cable

Specifications

Screen Size	27"
Dimensions	624mm x 220mm x 565mm (L x W x H)
Weight	76 kgs
Material	ABS, Glass, Aluminium
Power Adapter	Input: AC 100-240V~, 50/60Hz Output: DC 19V $\overline{\overline{=}}$ 7.89A, 150W (Max)
Aspect Ratio	16:9
Backlight	QD
Brightness	350 nits (Typical), 320 nits (Minimum)
Panel	IPS
Resolution	DP1.4: 3840*2160@60Hz HDMI2.0: 3840*2160@60Hz
Refresh Rate	60Hz
Viewing Angle	178°(H) / 178°(V)

Contrast Ratio	1000:1
VESA Mounting	100 x 100mm
Display Colors	8-bit + FRC, 1.07B Colors
Interface	1x DP 1.4, 2x HDMI 2.0, 1x Type-C, 2x USB-A, 1x USB-B, 1x Audio Out
Audio	Speakers: 5Wx2 Audio Out: Yes
Camera	8MP
Microphone	4 Mic array
Touchscreen	OGS 10 Point Multitouch Supports MPP 2.0 Styluses
Low Blue Light	Yes
Flicker Free	Yes
USB PD Power Delivery	Up to 65W power to host computer



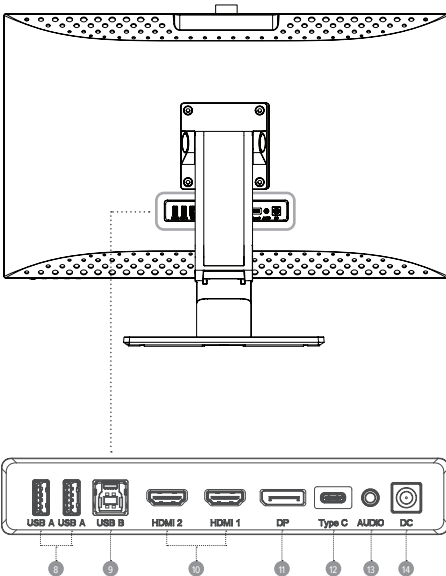
## Monitor Controls

1	Webcam
2	Menu: Press to display OSD menu and enter sub-menus
3	Up/Left: Press to move Up/Left in menus
4	Down/Right: Press to move Down/Right in menus
5	Exit: Press to exit OSD menu
6	Power: Press to turn monitor on/off
7	LED Indicator and Power Button

## Indicator Light

The indicator light shows steady white to indicate that the power is on and the monitor is operating normally. The steady blue light indicates that there is no video source, an invalid signal, or low voltage is detected. Please make sure that your computer is turned on and all video cables are fully plugged in or connected.

White		Operating Normally
Blue		No video source Invalid signal Low voltage is detected



## Monitor Ports

8	USB-A Ports
9	USB-B Port
10	HDMI Ports
11	DisplayPort Port
12	USB-C Port
13	Audio Output For Headphones Or Powered Speakers
14	Power Input



## Unpacking and Assembly

Before unpacking the stand, ensure that the box is placed on a flat, clear surface.

1. Open the lid of the monitor box, remove the upper Styrofoam tray containing the stand and place it to one side.
2. Open the soft bag that protects the monitor to reveal where the stand attaches to the rear of the monitor. Leave the monitor laying in the Styrofoam tray to avoid damaging it while installing the stand.
3. Take care when removing the elastic band holding the Fold Stand Stem in position, as the Stem will spring open with surprising force.
4. Insert the Stand Stem into the base and use the thumbscrew beneath the stand to secure it. You may need to rotate the disc under the stand to expose the thumbscrew.
5. Insert the stand into the face down monitor, and secure it with the four screws provided. Your monitor is now ready to use.

**Warning:** Do not put pressure on the display area of the monitor while assembling or moving the monitor. The display screen is fragile - applying force to it will break the display.

Keep the monitor box and Styrofoam packaging for future transportation and storage of the monitor.

**Warning:** Open Fold Stand away from face stand stem will spring open with force.

**Warning:** Ensure screws are tightly secured before lifting stand.

### Note:

We recommend using M4 12-15mm screws if replacements are required.



## Mounting Options

The monitor has 100 x 100mm spaced mounting holes to allow it to be mounted to any compatible 100mm VESA standard monitor arm or wall mount accessory (not included).

The mounting holes are recessed in the region on the back of the monitor where the stand attaches and are hidden by the stand when it is installed. VESA mounts cannot be used with the monitor while the stand is attached.

M4 threaded mounting spacers are included with the monitor which must be used when mounting the monitor to a monitor arm or other mount. Mount the monitor to a VESA mounting accessory as follows.

1. Lay the monitor face down in its Styrofoam packaging tray.
- Warning:** Do not attempt to lay the screen on any uneven surface including soft surfaces such as carpet and seating while attaching the mounting accessory - damage to the screen may occur.
2. Locate the mounting spacers in the accessory bag that comes with the monitor. With the monitor laying in its Styrofoam tray, screw in the four spacers into the holes in the recess where the stand attaches. Do not over tighten - tightening the spacers too much may cause damage to the monitor.
3. Screw the VESA mounting accessory into the mounting spacers.
- Warning:** Do not apply pressure to the rear of the monitor while fitting the mounting accessory - downwards pressure on the screen may crack or otherwise damage it.
4. Carefully lift the monitor and mounting accessory out of the tray and place into position.

Ensure there is 50mm clearance around all sides of the monitor when it is installed to ensure that it does not overheat.



## Connecting the Monitor

### Connecting the Power Cable

Connect the included power cable to the power connector, and then plug the other end into a wall outlet.

### Connecting a Video Source

The monitor includes four video inputs which can be connected simultaneously. To connect a computer or other source device, plug one of the included HDMI, DisplayPort or USB-C cables into the computer and into a corresponding port on the monitor.

### Notes:

- The USB-C connection will provide up to 65W of power to computers which support USB Power Delivery (USB PD). This allows the computer to display video on the monitor while being charged over a single cable. As a result, the USB-C connection type is the best option if your computer has this capability.
- Depending on the capabilities of the computer it may not be able to provide 4K at a full 60Hz refresh rate if connected to the monitor using HDMI. The USB-C or DisplayPort connection should be used as a first preference if the computer supports these connection types.
- Not all USB-C ports on computers support video output and/or charging using USB PD. If your computer does not show video on the monitor or start charging when connected to the monitor using USB-C, check that the USB-C port on the computer supports DisplayPort Alternate Mode video output and USB PD charging.
- Not all USB-C cables support video transfer or charging above 60W. It is recommended that you use the USB-C cable supplied with the monitor to avoid potential issues with cables that have been obtained separately.

### Audio Output

The display features inbuilt speakers as well as an audio output jack to allow headphones and external speakers to be connected. When an external audio device is connected, the display's on-board speakers will be disabled.



## Connecting Audio Devices

The audio port on the display only supports output devices such as headphones and speakers. It is not possible to connect microphones or other input devices to this port. Headphones with built-in microphones can be connected to this port, however the microphone will not function.

To send audio from your computer to the display speakers or connected audio device, select "27C4KPDWT" as the audio destination in your computer's sound settings.



## Connecting USB Devices

The display includes two USB A ports that can be used to attach USB peripherals such as a keyboard, mouse or webcam to the computer. In order for the computer to see devices attached to these ports, the computer must be connected to either (or both) of the USB-C and/or USB-B ports.

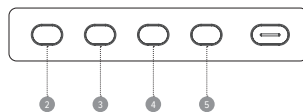
Notes:

- If the computer is only connected to the USB-C port on the display the ports will operate at USB 2.0 speeds because video traffic shares the USB-C cable with the USB data. This speed is sufficient for most peripherals such as keyboards, mice and webcams.
- If the computer is connected to the USB-B port on the display, the ports will operate at USB 3.0 speeds. This is preferable if using high speed storage devices such as external hard drives and USB flash drives.

## OSD Menu

The OSD (On-Screen Display) lets you adjust the settings on your monitor.

- Press **2** to enter the OSD menu.
- Press **3** or **4** to browse functions.
  - Highlight the desired function, then press **2** to enter the sub-menu.
  - Press **3** or **4** to browse sub-menus, then press **2** to highlight the desired function.
  - Press **3** or **4** to highlight an option, then press **2** to confirm the settings and exit the current screen.
  - Press **5** to cancel or go back to the previous menu.
- Press **3** or **4** to adjust the setting, then press **2** to confirm your changes and exit.



### Input Signal

Switches between video inputs.

### Brightness/Contrast

Adjust the Brightness, Shadow Balance and Contrast.

### Video Presets

Choose between picture presets, including Standard, Reading, Movie, Night, Comfort, SRGB and Adobe modes.

### Picture Settings

Adjust the monitor's Saturation, Sharpness and Gamma.

### Colour Temperature

Adjust your monitor's colour temperature between Warm, Cool and User Defined.

### OSD Settings

Change the transparency of the OSD menu and how long it stays on the screen.

### HDR

Enables the monitor's HDR (High Dynamic Range) mode, for more vivid colours. Not all devices and programs support HDR input, and may look too bright with this enabled.

### PIP/PBP

Picture in Picture mode allows Clarity Pro to display video from two sources at once. Use this menu to select the sources and choose how you would like them to be displayed.

### USB Options

You can upgrade your monitor's firmware via USB, prevent your computer from powering USB devices while in sleep mode, and switch which USB port (C or B) Clarity Pro is using for non-video data.

### Language

Set OSD language.

### Audio

You can mute or adjust the volume of the monitor's speakers.

### Reset

Reset your monitor to factory default settings.

## Setting up the Webcam

- To use the in-built webcam, the monitor must be connected to your computer via either its USB-C or USB-B port.
- After connecting, navigate to "USB Switch" in the "USB" sub-menu of your monitor's option menu and select either "TYPE-C" or "TYPE-B" depending on which cable you've connected.
- Open any program which uses the webcam, and it will automatically pop-out of the monitor.
  - You may have to switch from your laptop's inbuilt webcam to "27C4KPDWT".

## Adjusting the Webcam

- Use the scroll wheel on the rear of the webcam to adjust the framing.
- To change picture settings such as brightness and contrast, use your computer's settings menu:
  - Windows: Settings -> Bluetooth & devices -> Cameras -> 27C4KPDWT
  - macOS: Picture settings can only be adjusted via third-party applications.
  - ChromeOS: Picture settings can only be adjusted on a per-application basis.

## Retracting the Webcam

The webcam will automatically retract when not being used by any program.

- Do not try to physically push the webcam back into the monitor, you may damage it.
- If a program does not retract, try unplugging it and plugging it back in.

Symptom	Solution
My computer isn't recognising my webcam	<ul style="list-style-type: none"> <li>Try restarting your computer</li> <li>Navigate to USB Options -&gt; Switch Active USB in Clarity Pro's OSD and ensure the selected USB type is the one you're connecting with.</li> <li>Try unplugging/disconnecting/disabling other webcams.</li> </ul>
My webcam isn't sliding out from my monitor	<ul style="list-style-type: none"> <li>Check that the webcam named "27C4KPDWT" is selected in your computer's settings menu.</li> <li>Restart the application you want to use the webcam with.</li> <li>Ensure you have the correct webcam selected in your video software.</li> </ul>
My webcam isn't retracting into my monitor	<ul style="list-style-type: none"> <li>Try unplugging your computer from the monitor.</li> <li>Try opening and closing an application which uses the webcam.</li> </ul>

## Using the Touchscreen

- To use the touchscreen, the monitor must be connected to your computer via either its USB-C or USB-B port.
- After connecting, navigate to "USB Switch" in the "USB" sub-menu of your monitor's option menu and select either "TYPE-C" or "TYPE-B" depending on which cable you've connected.
- Download our Clarity Pro Touch drivers (see QR codes in Glossary).
- The touchscreen should be automatically recognised by your computer. If not, consult our troubleshooting section below

Symptom	Solution
My computer isn't reacting to my touch	<ul style="list-style-type: none"> <li>Unplug your USB cable from your computer and plug it back in.</li> <li>Check you've selected the correct USB cable in your monitor's settings.</li> <li>Restart your computer</li> <li>Contact ALOGIC support if the above do not resolve your issue.</li> </ul>

### Note:

The Clarity Active Stylus can be magnetically attached to the bottom left corner of your monitor when not in use.

## Troubleshooting

Symptom	Solution
The power button does not light up when pressed	<ul style="list-style-type: none"> <li>Verify that the mains power cord is securely attached to the power adapter, is connected to a power outlet and the power outlet is switched on.</li> <li>Verify that the power adapter is securely connected to the rear of the monitor.</li> </ul>
The power button lights up, but nothing is displayed on the screen	<ul style="list-style-type: none"> <li>Disconnect the power adapter from the Monitor and reconnect in 2-3 minutes.</li> <li>Press and hold the power button for 5 seconds to reset the monitor settings.</li> <li>Contact ALOGIC Support if the points above do not work.</li> </ul>
Monitor does not show HDMI or DisplayPort video from the computer	<ul style="list-style-type: none"> <li>Check that an appropriate video cable is connected between the computer and display and the correct input is selected on the monitor.</li> <li>Check your computer's settings to verify that it is detecting the monitor and is outputting video to it.</li> </ul>
Monitor does not show USB-C video from the computer	<ul style="list-style-type: none"> <li>Verify that you are using the USB-C cable that came with the monitor.</li> <li>Check your computer's settings to verify that it is detecting the monitor and is outputting video to it.</li> <li>Check that the USB-C port on your computer that the monitor is connected to supports video output using DisplayPort Alternate Mode (DP Alt. Mode).</li> </ul>
Laptop computer does not charge when connected to the monitor using USB-C	<ul style="list-style-type: none"> <li>Verify that the USB-C port on your computer supports charging using the USB Power Delivery (USB-PD) standard.</li> <li>Some laptops require more than 65W of power to charge. These tend to be high end graphics and gaming focused computers.</li> <li>If necessary, connect the power adapter that came with the computer to your laptop in addition to the USB-C cable that is connected to the monitor.</li> </ul>

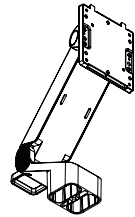
## Warnings

- Only use the monitor indoors in dry locations. Do not use the monitor in damp places or near water sources such as in bathrooms and kitchens.
- Store and use in a cool, dry, ventilated place. Do not place close to heat sources or in direct sunlight.
- Ensure that the equipment is installed on a flat, stable surface. If placed on an uneven or unsteady surface the monitor may fall and be damaged, cause personal injury or damage other items.
- It is normal for the device to be slightly warm to touch during operation. Provide adequate ventilation and do not cover the device while in operation.
- Do not cover or block the ventilation holes on the rear cover of the monitor. Do not use on a bed, sofa, blanket or similar where the monitor may fall over or become covered.
- The acceptable electrical supply voltage and frequency ranges are indicated on the label on the rear cover of the monitor. Do not connect the monitor to power sources which fall outside these limits.
- If the device will not be used for weeks or months, it is recommended that the power be disconnected to save energy and protect the equipment from damage caused by lightning strike induced power surges if a thunderstorm occurs.
- Do not insert foreign objects into the ventilation holes in the cover of the monitor as damage, fire or electric shock could occur.
- The monitor contains no user serviceable parts. Disassembling or attempting to repair this product yourself will void the warranty and expose you to the risk of electric shock. If you suspect a fault with the device, please contact the seller you purchased the product from or ALOGIC after sales support for assistance.
- Do not use the product if it becomes damaged as this could pose a risk of causing damage to connected devices and expose you to electric shock.
- Do not crush, cut, pull or twist the mains power cord excessively. If the power cord becomes damaged do not use the product until a replacement power cord can be obtained. Using a damaged power cord may result in electric shock.
- Do not spray liquids on the monitor. Do not use chemicals such as solvents on the surface of the monitor. Clean the monitor only by wiping with a clean, dry, soft, scratch-avoiding microfibre cloth.
- Disassembling or failing to properly use and care for your device will void the warranty on the product.
- ALOGIC bears no responsibility for damage to the device or incidental damages arising from improper use or lack of care and is not liable for repair/replacement of the device or other damages in these circumstances.

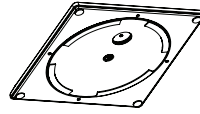
①



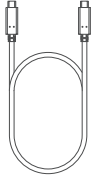
②



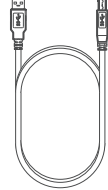
③



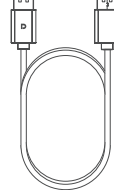
④



⑤



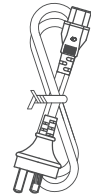
⑥



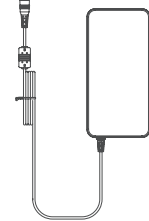
⑦



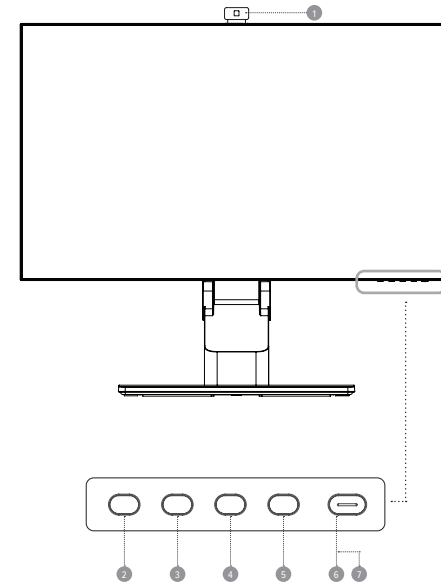
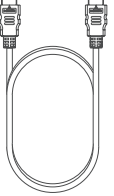
⑧



⑨



⑩



## Steuerungen des Monitors

①	Webcam
②	Menü: Drücken Sie, um das OSD-Menü anzuzeigen und in die Untermenüs zu gelangen.
③	Oben/Links: Drücken Sie, um sich in den Menüs nach oben/links zu bewegen.
④	Unten/Rechts: Drücken Sie, um sich in den Menüs nach unten/rechts zu bewegen.
⑤	Beenden: Drücken Sie, um das OSD-Menü zu verlassen.
⑥	Ein/Aus: Drücken Sie, um den Monitor ein-/auszuschalten.
⑦	LED-Anzeige und Ein/Aus-Taste

## Anzeige

Die LED-Anzeige leuchtet konstant weiß, um anzuzeigen, dass die Stromversorgung eingeschaltet ist und der Monitor normal funktioniert. Eine stetig blau leuchtende LED zeigt an, dass keine Videoquelle vorhanden ist, ein ungültiges Signal vorliegt oder eine niedrige Spannung erkannt wurde. Vergewissern Sie sich, dass Ihr Computer eingeschaltet ist und dass alle Videokabel vollständig eingesteckt oder angeschlossen sind.

Weiß		Normaler Betrieb
Blau		Keine Videoquelle Ungültiges Signal Eine niedrige Spannung wird erkannt

## Inhalt der Verpackung

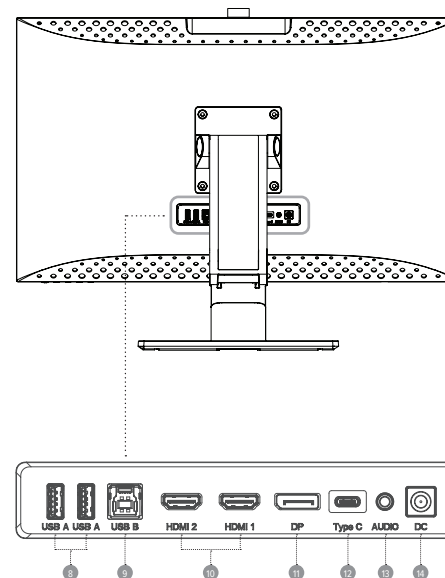
①	Clarity Touch Monitor
②	Ständerstiel einklappen
③	Klappen Sie den Standfuß zusammen
④	USB-C-Kabel (USB3.2 – Gen1)
⑤	USB-A-auf-USB-B-Kabel

⑥	DisplayPort-Kabel
⑦	4x Schrauben (zur Befestigung des Ständers)
⑧	Stromkabel (AC 100–240 V, 50/60 Hz)
⑨	Netzteil
⑩	HDMI Kabel

## Eigenschaften

Größe des Bildschirms	27"
Abmessungen des Bildschirms	624mm x 220mm x 565mm (L x B x H)
Gewicht	7,6 kgs
Material	ABS, Glass, Aluminium
Elektrischer Adapter	Eingang: AC 100-240V~, 50/60Hz Ausgang: DC 19V  7,89A, 150W (Max)
Seitenverhältnis	16:9
Hintergrundbeleuchtung	QD
Helligkeit	350 Nits (typisch), 320 Nits (minimal)
Panel	IPS
Auflösung	DP1.4: 3840*2160@60Hz HDMI2.0 : 3840*2160@60Hz
Bildwiederholungsrate	60Hz
Betrachtungswinkel	178°(H) / 178°(V)

Kontrastverhältnis	1000:1
VESA-Montage	100 x 100mm
Farben der Anzeige	8-Bit + FRC, 107B Farben
Schnittstelle	1x DP 1.4, 2x HDMI 2.0, 1x Type-C, 2x USB-A, 1x USB-B, 1x Audioausgang
Audio	Lautsprecher: 5Wx2 Audioausgang: Ja
Kamera	8MP
Microphone	4 Mic
Touch-Screen	OGS 10-Punkt-Multitouch Unterstützt MPP 2.0-Stifte
Geringes blaues Licht	Ja
Flimmerfrei	Ja
USB PD Power Delivery	Bis zu 65W Stromversorgung zum Hostcomputer



## Monitoranschlüsse

⑧	USB-A-Anschlüsse
⑨	USB-B-Anschluss
⑩	HDMI-Anschlüsse
⑪	Display-Anschluss
⑫	USB-C-Anschluss
⑬	Audioausgang für Kopfhörer oder strombetriebene Lautsprecher.
⑭	Eingang für Stromversorgung

Beachten Sie die Diagramme auf den Seiten 7 und 8.



## Auspacken und Zusammenbau

**Bevor Sie den Monitor auspacken, vergewissern Sie sich, dass die Box auf einer ebenen, freien Fläche steht.**

- Öffnen Sie den Deckel der Monitorbox, nehmen Sie die obere Styroporplatte mit dem Ständer heraus und legen Sie sie beiseite.
- Öffnen Sie die weiche Tasche, die den Monitor schützt, um die Stelle freizulegen, an der der Ständer an der Rückseite des Monitors befestigt ist. Lassen Sie den Monitor auf der Styroporplatte liegen, damit er beim Anbringen des Ständers nicht beschädigt wird.
- Seien Sie vorsichtig, wenn Sie das Gummiband entfernen, das den Fold Stand Stem in Position hält, da der Stem mit überraschender Kraft aufspringt.
- Setzen Sie den Ständerschaft in die Basis ein und befestigen Sie ihn mit der Rändelschraube unter dem Ständer. Möglicherweise müssen Sie die Disc unter dem Ständer drehen, um die Rändelschraube freizulegen.
- Setzen Sie den Ständer in den nach unten gerichteten Monitor ein und befestigen Sie ihn mit den vier mitgelieferten Schrauben. Ihr Monitor ist jetzt betriebsbereit.

**Achtung:** Üben Sie keinen Druck auf den Anzeigebereich des Monitors aus, wenn Sie den Monitor zusammenbauen oder bewegen. Der Bildschirm ist zerbrechlich, und jeglicher Druck auf den Bildschirm kann ihn zerbrechen.

Bewahren Sie den Monitorkarton und die Styroporverpackung für den späteren Transport und die Lagerung des Monitors auf.

**Achtung:** Öffnen Sie den Standfuß, wenn er vom Gesichtständer entfernt ist, und springt mit Gewalt auf.

**Achtung:** Stellen Sie sicher, dass die Schrauben fest angezogen sind, bevor Sie den Ständer anheben.

**Hinweis:** Wir empfehlen die Verwendung von M4-12-15-mm-Schrauben, wenn ein Austausch erforderlich ist.



## Montageoptionen

Der Monitor verfügt über 100 x 100 mm große Befestigungslöcher, mit denen er an jedem kompatiblen 100-mm-VESA-Standard-Monitorarm oder Wandmontagezubehör (nicht im Lieferumfang enthalten) befestigt werden kann.

Die Befestigungslöcher sind in den Bereich auf der Rückseite des Monitors eingelassen, an dem der Standfuß befestigt wird, und werden durch den Standfuß verdeckt, wenn er installiert ist. VESA-Halterungen können nicht mit dem Monitor verwendet werden, wenn der Standfuß angebracht ist.

Im Lieferumfang des Monitors sind Abstandshalter mit M4-Gewinde enthalten, die bei der Montage des Monitors an einem Monitorarm oder einer anderen Halterung verwendet werden müssen. Befestigen Sie den Monitor wie folgt an einem VESA-Montagezubehör.

- Legen Sie den Monitor mit der Vorderseite nach unten in seine Styropor-Verpackungsschale.

**Achtung:** Versuchen Sie nicht, den Bildschirm beim Anbringen des Montagezubehörs auf eine unebene Oberfläche zu legen, auch nicht auf weiche Oberflächen wie Teppiche oder Sitzmöbel - der Bildschirm könnte beschädigt werden.

- Suchen Sie die Montageabstandshalter in der Zubehörtasche, die dem Monitor beiliegt. Legen Sie den Monitor in die Styroporablage und schrauben Sie die vier Abstandshalter in die Löcher in der Aussparung, an der der Standfuß befestigt ist. Ziehen Sie die Abstandshalter nicht zu fest an - wenn Sie sie zu fest anziehen, kann der Monitor beschädigt werden.

- Schrauben Sie das VESA-Montagezubehör in die Montageabstandshalter.

**Achtung:** Üben Sie beim Anbringen des Montagezubehörs keinen Druck auf die Rückseite des Monitors aus - ein Druck nach unten auf den Bildschirm kann Risse oder andere Schäden verursachen.

- Heben Sie den Monitor und das Montagezubehör vorsichtig aus dem Fach und bringen Sie es in Position.

Achten Sie darauf, dass an allen Seiten des Monitors ein Abstand von 50 mm eingehalten wird, um eine Überhitzung des Monitors zu vermeiden.



## Anschließen des Monitors

### Anschließen des Netzkabels

Schließen Sie das mitgelieferte Netzkabel an den Netzanschluss an, und stecken Sie das andere Ende in eine Steckdose.

### Anschließen einer Videoquelle

Der Monitor verfügt über vier Videoeingänge, die gleichzeitig angeschlossen werden können. Um einen Computer oder ein anderes Quellgerät anzuschließen, stecken Sie eines der mitgelieferten HDMI-, DisplayPort- oder USB-C-Kabel in den Computer und in einen entsprechenden Anschluss am Monitor.

### Hinweise:

- Der USB-C-Anschluss liefert bis zu 65 W Strom an Computer, die USB Power Delivery (USB PD) unterstützen. Dadurch kann der Computer Videos auf dem Monitor anzeigen, während er über ein einziges Kabel aufgeladen wird. Daher ist der USB-C-Anslusstyp die beste Option, wenn Ihr Computer über diese Fähigkeit verfügt.
- Je nach den Fähigkeiten des Computers ist er möglicherweise nicht in der Lage, 4K mit einer vollen Bildwiederholffrequenz von 60 Hz bereitzustellen, wenn er über HDMI an den Monitor angeschlossen ist. Die USB-C- oder DisplayPort-Verbindung sollte als erste Präferenz verwendet werden, wenn der Computer diese Verbindungstypen unterstützt.
- Nicht alle USB-C-Anschlüsse an Computern unterstützen die Videoausgabe und/oder das Aufladen über USB PD. Wenn Ihr Computer kein Video auf dem Monitor anzeigt oder den Ladevorgang nicht startet, wenn er über USB-C mit dem Monitor verbunden ist, überprüfen Sie, ob der USB-C-Anschluss am Computer die Videoausgabe über DisplayPort Alternate Mode und das Laden über USB PD unterstützt.
- Nicht alle USB-C-Kabel unterstützen die Videoübertragung oder das Aufladen mit mehr als 60 W. Es wird empfohlen, das mit dem Monitor gelieferte USB-C-Kabel zu verwenden, um mögliche Probleme mit separat erworbenen Kabeln zu vermeiden.

### Audio-Ausgang

Das Display verfügt über eingebaute Lautsprecher und eine Audioausgangsbuchse, an die Kopfhörer und externe Lautsprecher angeschlossen werden können. Wenn ein externes Audiogerät angeschlossen ist, werden die eingebauten Lautsprecher des Displays deaktiviert.



## Anschließen von Audiogeräten

Der Audioanschluss des Monitors unterstützt nur Ausgabegeräte wie Kopfhörer und Lautsprecher. Es ist nicht möglich, Mikrofone oder andere Eingabegeräte an diesen Anschluss anzuschließen. Kopfhörer mit eingebautem Mikrofon können an diesen Anschluss angeschlossen werden, das Mikrofon funktioniert dann jedoch nicht.

Um Audiosignale von Ihrem Computer an die Display-Lautsprecher oder ein angeschlossenes Audiogerät zu senden, wählen Sie in den Töneinstellungen Ihres Computers "27C4KPDW" als Audioziel aus.

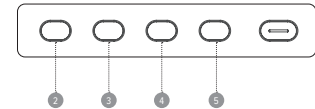


## Anschließen von USB-Geräten

Der Bildschirm verfügt über zwei USB-Anschlüsse des Typs A, über die USB-Peripheriegeräte wie Tastatur, Maus oder Webcam an den Computer angeschlossen werden können. Damit der Computer die an diesen Anschlüssen angeschlossenen Geräte erkennen kann, muss der Computer an einen (oder beide) der USB-C- und/oder USB-B-Anschlüsse angeschlossen sein.

### Hinweise:

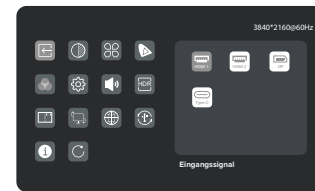
- Wenn der Computer nur mit dem USB-C-Anschluss des Displays verbunden ist, arbeiten die Anschlüsse mit USB 2.0-Geschwindigkeit, da der Videoverkehr das USB-C-Kabel mit den USB-Daten teilt. Diese Geschwindigkeit ist für die meisten Peripheriegeräte wie Tastaturen, Mäuse und Webcams ausreichend.
- Wenn der Computer mit dem USB-B-Anschluss des Displays verbunden ist, arbeiten die Anschlüsse mit USB 3.0-Geschwindigkeit. Dies ist vorteilhaft, wenn Sie Hochgeschwindigkeits-Speichergeräte wie externe Festplatten und USB-Flash-Laufwerke verwenden.



## OSD-Menü

Über das OSD (On-Screen-Display) können Sie die Einstellungen Ihres Monitors anpassen.

- Drücken Sie **2** um das OSD-Menü aufzurufen.
- Drücken Sie **3** oder **4**, um durch die Funktionen zu blättern.
  - Markieren Sie die gewünschte Funktion, und drücken Sie dann **1** um das Untermenü aufzurufen.
    - Drücken Sie **2** oder **4** um die Untermenüs zu durchsuchen, und drücken Sie dann **1** um die gewünschte Funktion zu markieren.
    - Drücken Sie **3** oder **4** um eine Option zu markieren, und drücken Sie dann **1** um die Einstellungen zu bestätigen und den aktuellen Bildschirm zu verlassen.
    - Drücken Sie **5**, um den Vorgang abzubrechen oder zum vorherigen Menü zurückzukehren.
- Drücken Sie **3** oder **4** um die Einstellung anzupassen, und drücken Sie dann **1** um Ihre Änderungen zu bestätigen und den Bildschirm zu verlassen.



### Eingangssignal

Schaltet zwischen den Videoeingängen um.

### Bildeinstellungen

Stellen Sie Sättigung, Schärfe und Gamma des Monitors ein.

### HDR

Aktiviert den HDR-Modus (High Dynamic Range) des Monitors, um lebendigere Farben zu erhalten.

Nicht alle Geräte und Programme unterstützen die HDR-Eingabe und können bei aktivierter Option zu hell erscheinen.

### Sprache

Legen Sie die OSD-Sprache fest.

### Helligkeit/Kontrast

Passen Sie die Helligkeit, die Schattenbalance und den Kontrast an.

### C.T-Einstellungen

Passen Sie die Farbtemperatur Ihres Monitors zwischen Warm, Kühl und Benutzerdefiniert an.

### PIP/PBP

Im Modus Bild im Bild kann Clarity Pro Videos von zwei Quellen gleichzeitig anzeigen.

Verwenden Sie dieses Menü, um die Quellen auszuwählen und festzulegen, wie sie angezeigt werden sollen.

### Audio

Sie können die Lautstärke der Lautsprecher des Monitors stummschalten oder einstellen.

### Kontext.Modell

Wählen Sie zwischen Bildvoreinstellungen, einschließlich Standard, Lesen, Film, Nacht, Komfort, SRGB und Adobe.

### OSD-Einst

Ändern Sie die Transparenz des OSD-Menüs und wie lange es auf dem Bildschirm bleibt.

**USB** Sie können die Firmware Ihres Monitors über USB aktualisieren, verhindern, dass Ihr Computer USB-Geräte im Ruhezustand mit Strom versorgt, und umschalten, welchen USB-Anschluss (C oder B) Clarity Pro für Nicht-Videoarten verwendet.

### Rücksetzen

Setzen Sie Ihren Monitor auf die Werkseinstellungen zurück.



## Einrichten der Webcam

- Um die integrierte Webcam verwenden zu können, muss der Monitor entweder über den USB-C- oder den USB-B-Anschluss mit Ihrem Computer verbunden sein.
- Navigieren Sie nach dem Anschluss zu "USB Switch" im Untermenü "USB" des Optionsmenüs Ihres Monitors und wählen Sie entweder "TYPE-C" oder "TYPE-B", je nachdem, welches Kabel Sie angeschlossen haben.
- Öffnen Sie ein Programm, das die Webcam verwendet, und sie wird automatisch aus dem Monitor herauspringen wenn sie die Webcam "27C4KPDWT" wählt.

## Einstellen der Webcam

- Verwenden Sie das Scrollrad auf der Rückseite der Webcam, um den Bildausschnitt einzustellen.
- Um Bildeinstellungen wie Helligkeit und Kontrast zu ändern, verwenden Sie das Einstellungsmenü Ihres Computers:
  - a. Windows: Einstellungen -> Bluetooth & Geräte -> Kamera -> 27C4KPDWT
  - b. macOS: Die Bildeinstellungen können nur über Drittanbieterprogramme angepasst werden.

## Einfahren der Webcam

Die Webcam wird automatisch eingezogen, wenn sie nicht von einem Programm verwendet wird.

- Versuchen Sie nicht, die Webcam physisch in den Monitor zurückzuschieben, Sie könnten sie beschädigen.
- Wenn sich die Webcam nicht einfahren lässt, versuchen Sie, sie auszustecken und wieder einzustecken.

Symptom	Lösung
Mein Computer erkennt meine Webcam nicht	<ul style="list-style-type: none"> <li>Versuchen Sie, Ihren Computer neu zu starten</li> <li>Navigieren Sie im OSD von Clarity Pro zu USB-Optionen -&gt; Aktiven USB umschalten und vergewissern Sie sich, dass der ausgewählte USB-Typ derjenige ist, mit dem Sie sich verbinden.</li> <li>Versuchen Sie, andere Webcams abzustecken/abzutrennen/zu deaktivieren.</li> </ul>
Meine Webcam lässt sich nicht aus dem Monitor herausziehen	<ul style="list-style-type: none"> <li>Vergewissern Sie sich, dass die Webcam mit dem Namen "27C4KPDWT" im Einstellungsmenü Ihres Computers ausgewählt ist.</li> <li>Starten Sie die Anwendung, mit der Sie die Webcam verwenden möchten, neu.</li> <li>Vergewissern Sie sich, dass Sie die richtige Webcam in Ihrer Videosoftware ausgewählt haben.</li> </ul>
Meine Webcam lässt sich nicht in meinen Monitor ahren	<ul style="list-style-type: none"> <li>Trennen Sie den Computer versuchsweise vom Monitor.</li> <li>Versuchen Sie, eine Anwendung, die die Webcam verwendet, zu öffnen und zu schließen.</li> </ul>

## Verwenden des Touchscreens

- Um den Touchscreen zu verwenden, muss der Monitor entweder über den USB-C- oder den USB-B-Anschluss mit Ihrem Computer verbunden sein.
- Navigieren Sie im Optionsmenü Ihres Monitors zu USB -> USB-Schalter und wählen Sie nachdem, welches Kabel Sie angeschlossen haben."
- Laden Sie unsere Clarity Pro Touch-Treiber herunter (siehe QR-Codes im Glossar)
- Der Touchscreen sollte automatisch von Ihrem Computer erkannt werden. Wenn nicht, konsultieren Sie unseren Abschnitt zur Fehlerbehebung weiter unten

Symptom	Lösung
Mein Computer reagiert nicht auf meine Berührungen	<ul style="list-style-type: none"> <li>Ziehen Sie das USB-Kabel vom Computer ab und schließen Sie es wieder an.</li> <li>Überprüfen Sie, ob Sie in den Einstellungen Ihres Monitors das richtige USB-Kabel ausgewählt haben.</li> <li>Starten Sie Ihren Computer neu.</li> <li>Wenden Sie sich an den ALOGIC-Support, wenn die oben genannten Maßnahmen Ihr Problem nicht beheben können.</li> </ul>

## Fehlersuche

Symptom	Lösung
Die Einschalttaste leuchtet nicht auf, wenn sie gedrückt wird	<ul style="list-style-type: none"> <li>Vergewissern Sie sich, dass das Netzkabel fest mit dem Netzteil verbunden ist, an eine Steckdose angeschlossen ist und die Steckdose eingeschaltet ist.</li> <li>Vergewissern Sie sich, dass der Netzadapter fest mit der Rückseite des Monitors verbunden ist.</li> </ul>
Die Einschalttaste leuchtet auf, aber auf dem Bildschirm wird nichts angezeigt	<ul style="list-style-type: none"> <li>Trennen Sie den Netzadapter vom Monitor und schließen Sie ihn nach 2-3 Minuten wieder an.</li> <li>Halten Sie die Einschalttaste 5 Sekunden lang gedrückt, um die Monitoreinstellungen zurückzusetzen.</li> <li>Wenden Sie sich an den ALOGIC-Support, wenn die oben genannten Punkte nicht funktionieren.</li> </ul>
Der Monitor zeigt kein HDMI- oder DisplayPort-Video vom Computer an	<ul style="list-style-type: none"> <li>Vergewissern Sie sich, dass ein geeignetes Videokabel zwischen Computer und Monitor angeschlossen und der richtige Eingang am Monitor ausgewählt ist.</li> <li>Überprüfen Sie die Einstellungen Ihres Computers, um sicherzustellen, dass er den Monitor erkennt und Video an ihn ausgibt.</li> </ul>
Der Monitor zeigt kein USB-C-Video vom Computer an	<ul style="list-style-type: none"> <li>Vergewissern Sie sich, dass Sie das USB-C-Kabel verwenden, das mit dem Monitor geliefert wurde.</li> <li>Überprüfen Sie die Einstellungen Ihres Computers, um sicherzustellen, dass er den Monitor erkennt und Video an ihn ausgibt.</li> <li>Überprüfen Sie, ob der USB-C-Anschluss an Ihrem Computer, an den der Monitor angeschlossen ist, die Videoausgabe über den DisplayPort-Alternativmodus (DP-Alt. Mode) unterstützt.</li> </ul>
Der Laptop-Computer wird nicht aufgeladen, wenn er über USB-C an den Monitor angeschlossen ist	<ul style="list-style-type: none"> <li>Stellen Sie sicher, dass der USB-C-Anschluss an Ihrem Computer das Aufladen mit dem USB Power Delivery (USB-PD)-Standard unterstützt.</li> <li>Einige Laptops benötigen mehr als 65 W zum Aufladen. Dies sind in der Regel High-End-Grafik- und Gaming-Computer.</li> <li>Verbinden Sie bei Bedarf zusätzlich zum USB-C-Kabel, das mit dem Monitor verbunden ist, das mit dem Computer gelieferte Netzteil mit Ihrem Laptop.</li> </ul>

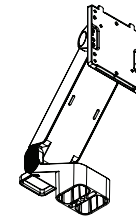
## Warnungen

- Verwenden Sie den Monitor nur in trockenen Innenräumen. Verwenden Sie den Monitor nicht an feuchten Orten oder in der Nähe von Wasserquellen wie in Badezimmern und Küchen.
- An einem kühlen, trockenen und belüfteten Ort lagern und verwenden. Nicht in der Nähe von Wärmequellen oder in direktem Sonnenlicht aufstellen.
- Stellen Sie sicher, dass das Gerät auf einer ebenen, stabilen Oberfläche installiert wird. Wenn der Monitor auf einer unebenen oder instabilen Oberfläche aufgestellt wird, kann er herunterfallen und beschädigt werden, Verletzungen verursachen oder andere Gegenstände beschädigen.
- Es ist normal, dass sich das Gerät während des Betriebs etwas warm anfühlt. Sorgen Sie für ausreichende Belüftung und decken Sie das Gerät während des Betriebs nicht ab.
- Verdecken oder blockieren Sie nicht die Lüftungsöffnungen an der hinteren Abdeckung des Monitors. Verwenden Sie es nicht auf einem Bett, Sofa, einer Decke oder ähnlichem, wo der Monitor umfallen oder abgedeckt werden könnte.
- Die zulässige elektrische Versorgungsspannung und die Frequenzbereiche sind auf dem Etikett auf der Rückseite des Monitors angegeben. Schließen Sie den Monitor nicht an Stromquellen an, die außerhalb dieser Grenzen liegen.
- Wenn das Gerät wochen- oder monatelang nicht verwendet wird, wird empfohlen, die Stromversorgung zu unterbrechen, um Energie zu sparen und das Gerät vor Schäden durch Blitzeinschläge bei Gewitter zu schützen.
- Führen Sie keine Fremdkörper in die Lüftungsöffnungen in der Abdeckung des Monitors ein, da dies zu Beschädigungen, Feuer oder elektrischen Schlägen führen könnte.
- Der Monitor enthält keine vom Benutzer zu wartenden Teile. Das Zerlegen oder der Versuch, dieses Produkt selbst zu reparieren, führt zum Erlöschen der Garantie und setzt Sie dem Risiko eines Stromschlags aus. Wenn Sie einen Fehler am Gerät vermuten, wenden Sie sich bitte an den Verkäufer, bei dem Sie das Produkt gekauft haben, oder an den ALOGIC-Kundendienst, um Unterstützung zu erhalten.
- Verwenden Sie das Produkt nicht, wenn es beschädigt ist, da dies ein Risiko darstellen könnte, angeschlossene Geräte zu beschädigen und Sie einem Stromschlag auszusetzen.
- Quetschen, schneiden, ziehen oder verdrehen Sie das Netzkabel nicht übermäßig. Wenn das Netzkabel beschädigt ist, verwenden Sie das Produkt nicht, bis ein Ersatzkabel beschafft werden kann. Die Verwendung eines beschädigten Netzkabels kann zu einem Stromschlag führen.
- Sprühen Sie keine Flüssigkeiten auf den Monitor. Verwenden Sie keine Chemikalien wie Lösungsmittel auf der Oberfläche des Monitors. Reinigen Sie den Monitor nur durch Abwischen mit einem sauberen, trockenen, weichen, kratzerfreien Mikrofasertuch.
- Wenn Sie Ihr Gerät zerlegen oder nicht ordnungsgemäß verwenden und pflegen, erlischt die Garantie für das Produkt.
- ALOGIC übernimmt keine Verantwortung für Schäden am Gerät oder zufällige Schäden, die durch unsachgemäßen Gebrauch oder mangelnde Sorgfalt entstehen, und haftet unter diesen Umständen nicht für Reparatur/Austausch des Geräts oder andere Schäden.

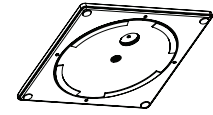
①



②



③



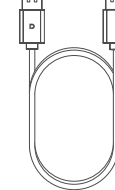
④



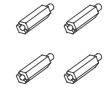
⑤



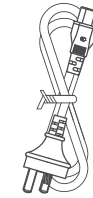
⑥



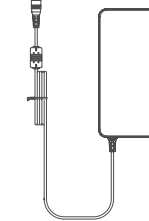
⑦



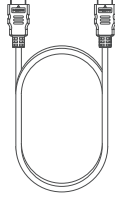
⑧



⑨



⑩



## Contenido del paquete

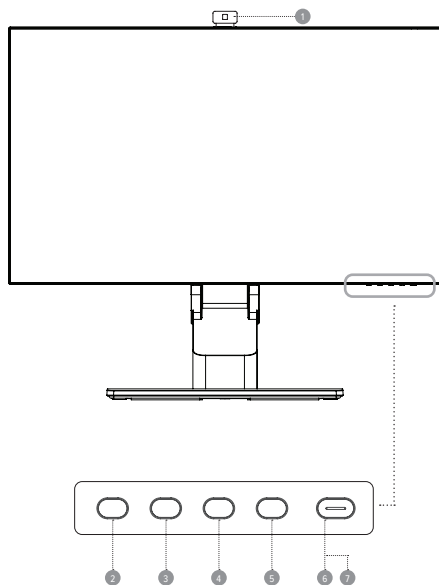
①	Monitor táctil de claridad
②	Vástago del soporte plegable
③	Base del soporte plegable
④	Cable USB-C (USB3.2 - Gen1)
⑤	Cable USB-A a USB-B

⑥	Cable DisplayPort
⑦	4x tornillos (para fijar el soporte)
⑧	Power Cable (AC 100-240V, 50/60Hz)
⑨	Cable de alimentación (CA 100-240 V, 50/60 Hz)
⑩	Cable HDMI

## Especificaciones

Tamaño de la pantalla	27"
Dimensiones	624 mm x 220 mm x 565 mm (largo x ancho x alto)
Peso	76 kgs
Material	ABS, Cristal, Aluminio
Adaptador de corriente	Entrada: AC 100-240V~, 50/60Hz Salida: DC 19V ~~~, 7,89A, 150W (Max)
Relación de aspecto	16:9
Luz de fondo	QD
Brillo	350 nits (típico), 320 nits (mínimo)
Panel	IPS
Resolución	DP1.4: 3840*2160@60Hz HDMI2.0: 3840*2160@60Hz
Frecuencia de actualización	60Hz
Ángulo de visión	178°(H) / 178°(V)

Relación de contraste	1000:1
Montaje VESA	100 x 100mm
Colores de pantalla	8 bits + FRC, 1,07B colores
Interfaz	1x DP 1.4, 2x HDMI 2.0, 1x Tipo-C, 2x USB-A, 1x USB-B, 1x salida de audio
Audio	Altavoces 5Wx2 Salida de audio: Sí
Cámara	8MP
Micrófono	Matriz de 4 micrófonos
Pantalla táctil	OGS Multitáctil de 10 puntos Compatible con lápices ópticos MPP 2.0
Luz azul baja	Sí
Sin parpadeos	Sí
Suministro de energía USB PD	Hasta 65 W de potencia para el ordenador host



## Controles del monitor

1	Webcam
2	Menú: Pulse para mostrar el menú OSD y entrar en los submenús
3	Arriba/Izquierda: Pulse para moverse arriba/izquierda en los menús
4	Abajo/Derecha: Pulse para desplazarse hacia abajo/derecha en los menús
5	Salir: Pulse para salir del menú OSD
6	Encendido: Pulse para encender/apagar el monitor
7	Indicador LED y botón de encendido

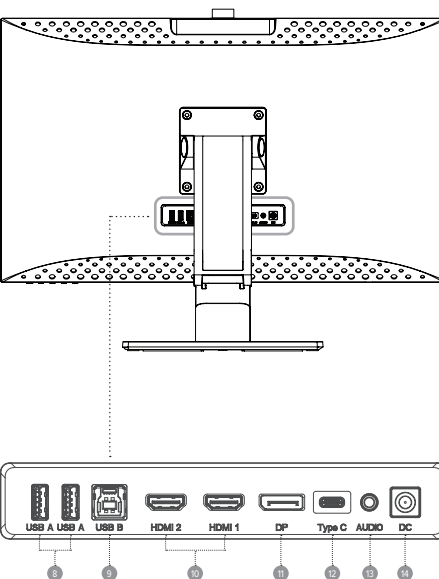
## Indicador luminoso

El indicador luminoso blanco fijo indica que la alimentación está conectada y que el monitor funciona con normalidad. La luz azul fija indica que no hay fuente de video, que se ha detectado una señal no válida o una tensión baja. Asegúrese de que el ordenador está encendido y de que todos los cables de video están bien enchufados o conectados.

Blanco		Funcionamiento normal
Azul		No hay fuente de video Señal no válida Se detecta baja tensión

## Puertos del monitor

8	Puertos USB-A
9	Puerto USB-B
10	Puertos HDMI
11	Puerto DisplayPort
12	Puerto USB-C
13	Salida de audio para auriculares o altavoces
14	Entrada de alimentación



## Desembalaje y montaje

Antes de desembalar el soporte, asegúrese de que la caja está colocada sobre una superficie plana y despejada.

- Abra la tapa de la caja del monitor, retire la bandeja superior de espuma de poliestireno que contiene el soporte y colóquela a un lado.
- Abra la bolsa blanda que protege el monitor para ver dónde se fija el soporte en la parte posterior del monitor. Deja el monitor en la bandeja de espuma de poliestireno para evitar dañarlo mientras instalas el soporte.
- Tenga cuidado al retirar la banda elástica que sujeta el vástago del soporte plegable en su posición, ya que el vástago se abrirá con una fuerza sorprendente.
- Inserte el vástago del soporte en la base y use el tornillo de mariposa debajo del soporte para asegurarlo. Es posible que tengas que girar el disco debajo del soporte para exponer el tornillo de mariposa.
- Inserte el soporte en el monitor boca abajo y fíjelo con los cuatro tornillos proporcionados. Su monitor ahora está listo para usar.

**⚠ Advertencia:** No ejerza presión sobre la zona de visualización del monitor mientras lo monta o lo mueve. La pantalla es frágil y si se aplica fuerza sobre ella se romperá.

Conservar la caja del monitor y el embalaje de espuma de poliestireno para el futuro transporte y almacenamiento del monitor.

**⚠ Advertencia:** El soporte plegable abierto alejado del vástago del soporte frontal se abrirá con fuerza.

**⚠ Advertencia:** Asegúrese de que los tornillos estén bien asegurados antes de levantar el soporte.

Nota: Recomendamos utilizar tornillos M4 de 12-15 mm si es necesario reemplazarlos.



## Opciones de montaje

El monitor dispone de orificios de montaje espaciados 100 x 100 mm que permiten montarlo en cualquier brazo de monitor o accesorio de montaje en pared compatible con el estándar VESA de 100 mm (no incluido).

Estos agujeros se encuentran en la zona de la parte posterior del monitor donde se fija el soporte y quedan ocultos por éste cuando está instalado. Los soportes VESA no se pueden utilizar con el monitor mientras el soporte esté montado.

Con el monitor se incluyen separadores de montaje roscados M4 que deben utilizarse al montar el monitor en un brazo de monitor u otro soporte. Monte el monitor en un accesorio de montaje VESA de la siguiente manera.

- Coloque el monitor boca abajo en su bandeja de embalaje de espuma de poliestireno.
- ⚠** No intente colocar la pantalla sobre ninguna superficie irregular, incluidas superficies blandas como alfombras y asientos, mientras coloca el accesorio de montaje, ya que podría dañarse.
- Localice los espaciadores de montaje en la bolsa de accesorios que viene con el monitor. Con el monitor colocado en su bandeja de espuma de poliestireno, atornille los cuatro espaciadores en los orificios del hueco donde se fija el soporte. No apriete demasiado los espaciadores, ya que podrían dañar el monitor.
- Atornille el accesorio de montaje VESA en los espaciadores de montaje.

**⚠** No ejerza presión sobre la parte posterior del monitor mientras coloca el accesorio de montaje, ya que la presión ejercida hacia abajo sobre la pantalla podría agrietarla o dañarla.

- Saque con cuidado el monitor y el accesorio de montaje de la bandeja y colóquelos en su sitio.

Asegúrese de que haya 50 mm de espacio libre alrededor de todos los lados del monitor cuando esté instalado para garantizar que no se sobrecaliente.



## Conexión del monitor

### Conexión del cable de alimentación

Conecte el cable de alimentación incluido al conector de alimentación y enchufe el otro extremo a una toma de corriente.

### Conexión de una fuente de video

El monitor incluye cuatro entradas de video que pueden conectarse simultáneamente. Para conectar un ordenador u otro dispositivo fuente, enchufe uno de los cables HDMI, DisplayPort o USB-C incluidos en el ordenador y en un puerto correspondiente del monitor.

### Notas:

- La conexión USB-C proporcionará hasta 65 W de potencia a los ordenadores compatibles con USB Power Delivery (USB PD). Esto permite que el ordenador muestre video en el monitor mientras se carga a través de un único cable. Como resultado, el tipo de conexión USB-C es la mejor opción si tu ordenador tiene esta capacidad.
- Dependiendo de las capacidades del ordenador, es posible que no pueda proporcionar 4K a una frecuencia de actualización completa de 60 Hz si se conecta al monitor mediante HDMI. La conexión USB-C o DisplayPort debe utilizarse como primera preferencia si el ordenador admite estos tipos de conexión.
- No todos los puertos USB-C de los ordenadores admiten salida de video y/o carga mediante USB PD. Si el ordenador no muestra video en el monitor ni inicia la carga cuando se conecta al monitor mediante USB-C, compruebe que el puerto USB-C del ordenador admite la salida de video DisplayPort Alternate Mode y la carga mediante USB PD.
- No todos los cables USB-C admiten la transferencia de video o la carga por encima de 60 W. Se recomienda utilizar el cable USB-C suministrado con el monitor para evitar posibles problemas con cables que se hayan obtenido por separado.

### Salida de audio

La pantalla incorpora altavoces y una toma de salida de audio para conectar auriculares y altavoces externos. Cuando se conecta un dispositivo de audio externo, los altavoces de la pantalla se desactivan.



## Conexión de dispositivos de audio

El puerto de audio de la pantalla sólo admite dispositivos de salida como auriculares y altavoces. No es posible conectar micrófonos u otros dispositivos de entrada a este puerto. Los auriculares con micrófono incorporado pueden conectarse a este puerto, pero el micrófono no funcionará.

Para enviar audio desde el ordenador a los altavoces de la pantalla o al dispositivo de audio conectado, seleccione "27C4KPDWT" como destino de audio en la configuración de sonido del ordenador.

## Conexión de dispositivos USB

La pantalla incluye dos puertos USB tipo A que pueden utilizarse para conectar al ordenador periféricos USB como un teclado, un ratón o una webcam.

Para que el ordenador vea los dispositivos conectados a estos puertos, el ordenador debe estar conectado a uno de los puertos USB-C y/o USB-B (o a ambos).

Notas:

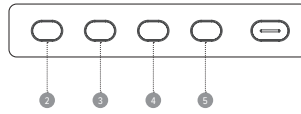
- Si el ordenador sólo está conectado al puerto USB-C de la pantalla, los puertos funcionarán a velocidades USB 2.0 porque el tráfico de vídeo comparte el cable USB-C con los datos USB. Esta velocidad es suficiente para la mayoría de los periféricos como teclados, ratones y webcams.

- Si el ordenador está conectado al puerto USB-B de la pantalla, los puertos funcionarán a velocidades USB 3.0. Esto es preferible si se utilizan dispositivos de alta velocidad. Esto es preferible si se utilizan dispositivos de almacenamiento de alta velocidad, como discos duros externos y unidades flash USB.

## Menú OSD

El menú OSD (On-Screen Display) permite ajustar la configuración del monitor.

- Pulse **2** para entrar en el menú OSD.
- Pulse **3** o **4** para navegar por las funciones.
  - Marque la función deseada y pulse **2** para entrar en el submenú.
  - Pulse **3** o **4** para navegar por los submenús y, a continuación, pulse **2** para resaltar la función deseada.
  - Pulse **3** o **4** para resaltar una opción y, a continuación, pulse **2** para confirmar los ajustes y salir de la pantalla actual.
  - Presione **5** para cancelar o volver al menú anterior.
- Pulse **3** o **4** para ajustar la configuración y, a continuación, pulse **2** para confirmar los cambios y salir.



### Señal de entrada

Cambia entre las entradas de vídeo.

### Brillo/Contraste

Ajusta el Brillo, el Balance de Sombras y el Contraste.

### Ajustes de Imagen

Ajusta la Saturación, Nitidez y Gamma del monitor.

### Configuración C.T.

Ajusta la temperatura de color de tu monitor entre Cálido, Frío y Definido por el usuario.

### HDR

Activa el modo HDR (alto rango dinámico) del monitor para obtener colores más vivos.

No todos los dispositivos y programas son compatibles con la entrada HDR, por lo que pueden verse demasiado brillantes con esta opción activada.

### PIP/PBP

El modo Imagen en imagen permite a Clarity Pro mostrar vídeo de dos fuentes a la vez. Utilice este menú para seleccionar las fuentes y elegir cómo desea que se muestren.

### Idioma

Configura el idioma del menú OSD.

### Audio

Puede silenciar o ajustar el volumen de los altavoces del monitor.

### Modo contextual

Elige entre los preajustes de imagen, incluidos los modos Estándar, Lectura, Película, Noche, Confort, SRGB y Adobe.

### Ajustes OSD

Cambia la transparencia del menú OSD y el tiempo que permanece en pantalla.

### USB

Puedes actualizar el firmware del monitor a través de USB, evitar que el ordenador alimente dispositivos USB mientras está en modo de suspensión y cambiar el puerto USB (C o B) que utiliza Clarity Pro para los datos que no son de vídeo.

### Reiniciar

Restablece la configuración predeterminada de fábrica del monitor.

## Configuración de la cámara web

- Para utilizar la cámara web integrada, el monitor debe estar conectado al ordenador a través de su puerto USB-C o USB-B.
  - Tras la conexión, ve a "Conmutador USB" en el submenú "USB" del menú de opciones del monitor y selecciona "TIPO-C" o "TIPO-B" en función del cable que hayas conectado.
  - Abra cualquier programa que utilice la webcam y ésta saldrá automáticamente del monitor.
- a. Puede que tengas que cambiar de la webcam integrada en tu portátil a "27C4KPDWT".

## Ajuste de la webcam

- Utilice la rueda de desplazamiento situada en la parte posterior de la webcam para ajustar el encuadre.
- Para cambiar los ajustes de imagen, como el brillo y el contraste, utilice el menú de configuración de su ordenador:

- a. Windows: Configuración -> Bluetooth y dispositivos -> Cámaras -> 27C4KPDWT  
 b. macOS: La configuración de la imagen sólo se puede ajustar a través de aplicaciones de terceros.  
 c. ChromeOS: La configuración de la imagen sólo se puede ajustar a través de aplicaciones.

## Cómo retraer la cámara web

La webcam se retraerá automáticamente cuando no esté siendo utilizada por ningún programa.

a. No intente empujar físicamente la webcam hacia el monitor, podría dañarla. b. If webcam does not retract, try unplugging it and plugging it back in.

b. Si la webcam no se retrae, intente desenchufarla y volver a enchufarla.

Síntoma	Solución
Mi ordenador no reconoce mi webcam	<ul style="list-style-type: none"> <li>Pruebe a reiniciar el ordenador</li> <li>Vaya a Opciones USB -&gt; Cambiar USB activo en el menú OSD de Clarity Pro y asegúrese de que el tipo de USB seleccionado es el que está conectado.</li> <li>Intente desenchufar/desconectar/desactivar otras webcams.</li> </ul>
Mi webcam no se desliza fuera de mi monitor	<ul style="list-style-type: none"> <li>Compruebe que la cámara web denominada "27C4KPDWT" está seleccionada en el menú de configuración de su ordenador.</li> <li>Reinicie la aplicación con la que desea utilizar la cámara web.</li> <li>Asegúrate de tener seleccionada la cámara web correcta en el software de vídeo.</li> </ul>
Mi webcam no se retrae en mi monitor	<ul style="list-style-type: none"> <li>Prueba a desconectar el ordenador del monitor.</li> <li>Prueba a abrir y cerrar una aplicación que utilice la webcam.</li> </ul>

## Uso de la pantalla táctil

- Para utilizar la pantalla táctil, el monitor debe estar conectado al ordenador a través de su puerto USB-C o USB-B.
- Tras la conexión, ve a "Conmutador USB" en el submenú "USB" del menú de opciones del monitor y selecciona "TIPO-C" o "TIPO-B" en función del cable que hayas conectado.
- Descargue nuestros controladores Clarity Pro Touch (ver códigos QR en Glosario).
- La pantalla táctil debe ser reconocida automáticamente por su computadora. De lo contrario, consulte nuestra sección de solución de problemas a continuación

Síntoma	Solución
Mi ordenador no reacciona al tacto	<ul style="list-style-type: none"> <li>Desconecta el cable USB del ordenador y vuelve a conectarlo.</li> <li>Comprueba que has seleccionado el cable USB correcto en la configuración del monitor.</li> <li>Reinicie su ordenador</li> <li>Póngase en contacto con el soporte de ALOGIC si lo anterior no resuelve su problema.</li> </ul>

## Solución de problemas

Síntoma	Solución
El botón de encendido no se enciende al pulsarlo	<ul style="list-style-type: none"> <li>Compruebe que el cable de alimentación esté bien conectado al adaptador de corriente, que esté conectado a una toma de corriente y que la toma de corriente esté encendida.</li> <li>Compruebe que el adaptador de corriente está bien conectado a la parte posterior del monitor.</li> </ul>
El botón de encendido se ilumina, pero no se muestra nada en la pantalla	<ul style="list-style-type: none"> <li>Desconecte el adaptador de corriente del monitor y vuelva a conectarlo en 2-3 minutos.</li> <li>Mantenga pulsado el botón de encendido durante 5 segundos para restablecer la configuración del monitor.</li> <li>Póngase en contacto con el servicio de asistencia técnica de ALOGIC si los puntos anteriores no funcionan.</li> </ul>
El monitor no muestra vídeo HDMI o DisplayPort desde el ordenador	<ul style="list-style-type: none"> <li>Compruebe que hay un cable de vídeo adecuado conectado entre el ordenador y la pantalla y que está seleccionada la entrada correcta en el monitor.</li> <li>Compruebe la configuración del ordenador para verificar que detecta el monitor y le envía vídeo.</li> </ul>
El monitor no muestra vídeo USB-C del ordenador	<ul style="list-style-type: none"> <li>Compruebe que está utilizando el cable USB-C suministrado con el monitor.</li> <li>Compruebe la configuración del ordenador para verificar que detecta el monitor y le envía vídeo.</li> <li>Compruebe que el puerto USB-C del ordenador al que está conectado el monitor admite la salida de vídeo mediante el modo alternativo DisplayPort (modo alternativo DP).</li> </ul>
El ordenador portátil no se carga cuando se conecta al monitor mediante USB-C	<ul style="list-style-type: none"> <li>Compruebe que el puerto USB-C del ordenador admite la carga mediante el estándar USB Power Delivery (USB-PD).</li> <li>Algunos portátiles necesitan más de 65 W de potencia para cargarse. Suelen ser ordenadores de gama alta centrados en gráficos y juegos.</li> <li>Si es necesario, conecta el adaptador de corriente que viene con el ordenador a tu portátil además del cable USB-C que está conectado al monitor.</li> </ul>

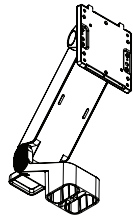
## Advertencias

- Utiliza el monitor solo en interiores y en lugares secos. No utilices el monitor en lugares húmedos o cerca de fuentes de agua, como baños y cocinas.
- Guárdalo y utilízalo en un lugar fresco, seco y ventilado. No lo coloque cerca de fuentes de calor ni bajo la luz directa del sol.
- Asegúrese de que el equipo está instalado sobre una superficie plana y estable. Si se coloca sobre una superficie irregular o inestable, el monitor puede caerse y dañarse, provocar lesiones personales o dañar otros objetos.
- Es normal que el aparato esté ligeramente caliente al tacto durante su funcionamiento. Proporcione una ventilación adecuada y no cubra el aparato mientras esté en funcionamiento.
- No cubra ni bloquee los orificios de ventilación de la cubierta posterior del monitor. No lo utilice sobre una cama, sofá, manta o similar donde el monitor pueda caerse o quedar cubierto.
- Los rangos de tensión y frecuencia de alimentación eléctrica aceptables se indican en la etiqueta de la cubierta posterior del monitor. No conecte el monitor a fuentes de alimentación que estén fuera de estos límites.
- Si el aparato no se va a utilizar durante semanas o meses, se recomienda desconectarlo de la corriente para ahorrar energía y proteger el equipo de los daños causados por sobretensiones inducidas por rayos en caso de tormenta eléctrica.
- No introduzca objetos extraños en los orificios de ventilación de la cubierta del monitor, ya que podrían producirse daños, incendios o descargas eléctricas.
- El monitor no contiene piezas que el usuario pueda reparar. Si desmonta o intenta reparar este producto usted mismo, anulará la garantía y se expondrá al riesgo de sufrir una descarga eléctrica. Si sospecha que el aparato presenta algún fallo, póngase en contacto con el vendedor al que compró el producto o con el servicio postventa de ALOGIC para obtener ayuda.
- No utilice el producto si está dañado, ya que podría provocar daños en los dispositivos conectados y exponerle a una descarga eléctrica.
- No aplaste, corte, tire o retuerza excesivamente el cable de alimentación. Si el cable de alimentación se daña, no utilice el producto hasta que pueda obtener un cable de alimentación de repuesto. El uso de un cable de alimentación dañado puede provocar una descarga eléctrica.
- No rocíe líquidos sobre el monitor. No utilice productos químicos como disolventes en la superficie del monitor. Limpie el monitor únicamente con un paño de microfibra limpio, seco, suave y que no raye.
- Desmontar o no utilizar y cuidar adecuadamente su dispositivo anulará la garantía del producto.
- ALOGIC no se hace responsable de los daños al dispositivo o daños incidentales derivados de un uso inadecuado o falta de cuidado y no es responsable de la reparación / sustitución del dispositivo u otros daños en estas circunstancias.

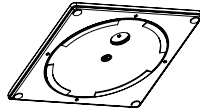
①



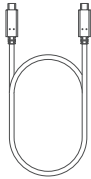
②



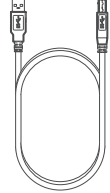
③



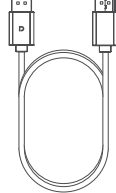
④



⑤



⑥



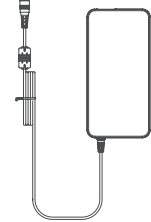
⑦



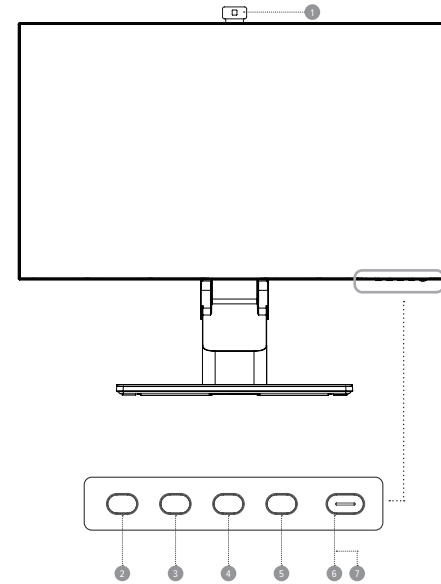
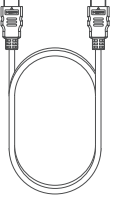
⑧



⑨



⑩



## Commandes du moniteur

①	Webcam
②	Menu : Appuyez pour afficher le menu OSD et entrer dans les sous-menus
③	Haut/Gauche : appuyez pour vous déplacer vers le haut/la gauche dans les menus
④	Bas/Droite : Appuyez pour vous déplacer vers le bas/droite dans les menus
⑤	Quitter : appuyez pour quitter le menu OSD
⑥	Alimentation : Appuyez pour allumer/éteindre le moniteur
⑦	Indicateur LED et bouton d'alimentation

## Voyant

Le voyant lumineux s'allume en blanc fixe pour indiquer que l'alimentation est allumée et que le moniteur fonctionne normalement. Le voyant bleu fixe indique qu'il n'y a pas de source vidéo, qu'un signal invalide ou qu'une basse tension est détectée. Assurez-vous que votre ordinateur est allumé et que tous les câbles vidéo sont complètement branchés ou connectés.

Blanc		Fonctionnement Normal
Bleu		Aucune source vidéo Signal invalide Une basse tension est détectée

## Contenu de l'emballage

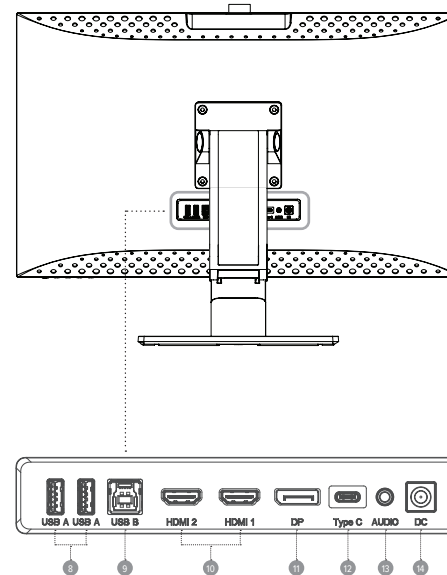
①	Moniteur tactile Clarity
②	Tige du support pliable
③	Base du support pliable
④	Câble USB-C (USB3.2 - Gen1)
⑤	Câble USB-A vers USB-B

⑥	Câble DisplayPort
⑦	4x vis (pour fixer le support)
⑧	Câble d'alimentation (AC 100-240 V, 50/60 Hz)
⑨	Adaptateur secteur
⑩	Câble HDMI

## Caractéristiques

Taille de l'écran	27"
Dimensions de l'écran	624mm x 220mm x 565mm (L x L x H)
Poids	7,6 kgs
Matériau	ABS, verre, aluminium
Adaptateur électrique	Entrée: AC 100-240V~, 50/60Hz Sortie: DC 19V $\overline{\text{---}}$ 7,89A, 150W (Max)
Rapport d'aspect	16:9
Rétro-éclairage	QD
Luminosité	350 nits (typique), 320 nits (minimum)
Panneau	IPS
Résolution	DP1.4: 3840'2160@60Hz HDMI2.0: 3840'2160@60Hz
Taux de rafraîchissement	60Hz
Angle de vision	178°(H) / 178°(V)

Rapport de contraste	1000:1
Montage VESA	100 x 100mm
Couleurs d'affichage	8 bits + FRC, 1,07B couleurs
Interface	1x DP 1.4, 2x HDMI 2.0, 1x Type-C, 2x USB-A, 1x USB-B, 1x sortie audio
Audio	Haut-parleurs: 5Wx2 Sortie audio: Yes
Caméra	8MP
Microphone	4 Mic
Écran tactile	OGS Multitouch 10 points Prend en charge les stylets MPP 2.0
Faible lumière bleue	Oui
Sans scintillement	Oui
USB PD Power Delivery	Jusqu'à 65W d'alimentation vers l'ordinateur hôte



## Ports moniteur

⑧	Ports USB-A
⑨	Port USB-B
⑩	Ports HDMI
⑪	Port d'affichage
⑫	Port USB-C
⑬	Sortie audio pour casque ou haut-parleurs alimentés
⑭	Entrée d'alimentation

Reportez-vous aux diagrammes des pages 7 et 8.



## Déballage et assemblage

**Avant de déballer le support, assurez-vous que la boîte est placée sur une surface plane et dégagée.**

- Ouvrez le couvercle de la boîte du moniteur, retirez le plateau supérieur en polystyrène contenant le support et mettez-le de côté.
- Ouvrez le sac souple qui protège le moniteur pour révéler l'endroit où le support se fixe à l'arrière du moniteur. Laissez le moniteur posé sur le plateau en polystyrène pour éviter de l'endommager lors de l'installation du support.
- Faites attention lorsque vous retirez la bande élastique qui maintient la tige du support pliable en position, car la tige s'ouvrira avec une force surprenante.
- Insérez la tige du support dans la base et utilisez la vis moletée située sous le support pour la fixer. Vous devez peut-être faire pivoter le disque sous le support pour exposer la vis moletée.
- Insérez le support dans le moniteur face vers le bas et fixez-le avec les quatre vis fournies. Votre moniteur est maintenant prêt à être utilisé.

**⚠ Attention :** N'exercez pas de pression sur la zone d'affichage du moniteur lorsque vous assemblez ou déplacez le moniteur. L'écran est fragile et toute pression exercée sur lui risque de le briser.

Conservez la boîte du moniteur et l'emballage en polystyrène pour le transport et le stockage ultérieurs du moniteur.

**⚠ Avertissement :** Le support pliable ouvert éloigné de la tige du support facial s'ouvrira avec force.

**⚠ Avertissement :** Le support pliable ouvert éloigné de la tige du support facial s'ouvrira avec force.

**Remarque :** Nous vous recommandons d'utiliser des vis M4 12-15 mm si des remplacements sont nécessaires.



## Options de montage

Le moniteur est doté de trous de montage espacés de 100 x 100 mm qui permettent de le monter sur n'importe quel bras de moniteur ou accessoire de montage mural compatible avec la norme VESA de 100 mm (non inclus).

Les trous de montage sont encastrés dans la zone au dos du moniteur où le support se fixe et sont cachés par le support lorsqu'il est installé. Les supports VESA ne peuvent pas être utilisés avec le moniteur lorsque le support est fixé.

Des entretoises de montage filetées M4 sont fournies avec le moniteur et doivent être utilisées pour fixer le moniteur à un bras de moniteur ou à un autre support. Montez le moniteur sur un accessoire de montage VESA en procédant comme suit.

- Posez le moniteur face vers le bas dans son plateau d'emballage en polystyrène.

**⚠ N'essayez pas de poser l'écran sur une surface irrégulière, y compris sur des surfaces molles telles que de la moquette ou des sièges, pendant que vous fixez l'accessoire de montage :** vous risqueriez d'endommager l'écran.

- Repérez les entretoises de montage dans le sac d'accessoires fourni avec le moniteur. Le moniteur étant posé sur son plateau en polystyrène, vissez les quatre entretoises dans les trous de la cavité où se fixe le support. Ne serrez pas trop fort - un serrage excessif des entretoises risque d'endommager le moniteur.

- Vissez l'accessoire de montage VESA dans les entretoises de montage.

**⚠ N'appliquez pas de pression à l'arrière du moniteur lorsque vous installez l'accessoire de montage - une pression vers le bas sur l'écran pourrait le fissurer ou l'endommager.**

- Soulevez délicatement le moniteur et l'accessoire de montage hors du plateau et mettez-les en place.

Veuillez à laisser un espace de 50 mm autour de tous les côtés du moniteur lorsqu'il est installé, afin d'éviter qu'il ne surchauffe.



## Connexion du moniteur

### Connexion du câble d'alimentation

Branchez le câble d'alimentation fourni sur le connecteur d'alimentation, puis branchez l'autre extrémité sur une prise murale.

### Connexion d'une source vidéo

Le moniteur comprend quatre entrées vidéo qui peuvent être connectées simultanément. Pour connecter un ordinateur ou un autre périphérique source, branchez l'un des câbles HDMI, DisplayPort ou USB-C inclus dans l'ordinateur et dans un port correspondant du moniteur.

### Notes:

- La connexion USB-C fournira jusqu'à 65 W d'alimentation aux ordinateurs qui prennent en charge l'USB Power Delivery (USB PD). Cela permet à l'ordinateur d'afficher de la vidéo sur le moniteur tout en étant chargé via un seul câble. Par conséquent, le type de connexion USB-C est la meilleure option si votre ordinateur dispose de cette capacité.
- Selon les capacités de l'ordinateur, il peut ne pas être en mesure de fournir la 4K à un taux de rafraîchissement complet de 60 Hz s'il est connecté au moniteur à l'aide de l'HDMI. La connexion USB-C ou DisplayPort doit être utilisée en priorité si l'ordinateur prend en charge ces types de connexion.
- Tous les ports USB-C des ordinateurs ne prennent pas en charge la sortie vidéo et/ou le chargement à l'aide d'USB PD. Si votre ordinateur n'affiche pas de vidéo sur le moniteur ou ne commence pas à se charger lorsqu'il est connecté au moniteur via USB-C, vérifiez que le port USB-C de l'ordinateur prend en charge la sortie vidéo en mode alternatif DisplayPort et le chargement via USB PD.
- Tous les câbles USB-C ne prennent pas en charge le transfert vidéo ou la charge supérieure à 60 W. Il est recommandé d'utiliser le câble USB-C fourni avec le moniteur afin d'éviter tout problème potentiel avec des câbles obtenus séparément.

### Sortie audio

L'écran est doté de haut-parleurs intégrés ainsi que d'une prise de sortie audio permettant de connecter un casque et des haut-parleurs externes. Lorsqu'un périphérique audio externe est connecté, les haut-parleurs intégrés de l'écran sont désactivés.



## Connexion de périphériques audio

Le port audio de l'écran ne prend en charge que les périphériques de sortie tels que les casques et les haut-parleurs. Il n'est pas possible de connecter des microphones ou d'autres dispositifs d'entrée à ce port. Les casques avec microphone intégré peuvent être connectés à ce port, mais le microphone ne fonctionnera pas.

Pour envoyer le son de votre ordinateur aux haut-parleurs de l'écran ou à un périphérique audio connecté, sélectionnez "27C4KPDW" comme destination audio dans les paramètres sonores de votre ordinateur.settings.

## Menu OSD

L'affichage à l'écran (OSD) vous permet de régler les paramètres de votre moniteur.

- Appuyez sur **2** pour accéder au menu OSD.
  - Appuyez sur **3** ou **4** pour parcourir les fonctions.
    - Mettez en surbrillance la fonction souhaitée, puis appuyez sur **2** pour accéder au sous-menu.
    - Appuyez sur **3** ou **4** pour parcourir les sous-menus, puis appuyez sur **2** pour mettre en surbrillance la fonction souhaitée.
    - Appuyez sur **3** ou **4** pour sélectionner une option, puis appuyez sur **2** pour confirmer les paramètres et quitter l'écran actuel.
    - Appuyez sur **5** pour annuler ou revenir au menu précédent.
- Appuyez sur **3** ou **4** pour régler le paramètre, puis appuyez sur **2** pour confirmer vos modifications et quitter l'écran.

### Signal d'entrée

Permet de passer d'une entrée vidéo à l'autre.

### Rég. Image

Permet de régler la saturation, la netteté et le gamma du moniteur.

### HDR

Active le mode HDR (High Dynamic Range) du moniteur, pour des couleurs plus vives.

Tous les appareils et programmes ne prennent pas en charge l'entrée HDR, et les couleurs peuvent sembler trop vives lorsque cette option est activée.

### Langue

Définit la langue de l'OSD.

### Luminosité/Contraste

Permet de régler la luminosité, la balance des ombres et le contraste.

### Paramètres CT

Réglez la température des couleurs de votre écran entre Chaud, Froid et Défini par l'utilisateur.

### PIP/PBP

Le mode Image dans l'image permet à Clarity Pro d'afficher la vidéo de deux sources à la fois.

Utilisez ce menu pour sélectionner les sources et choisir la manière dont vous souhaitez les afficher.

### Audio

Vous pouvez couper ou régler le volume des haut-parleurs du moniteur.



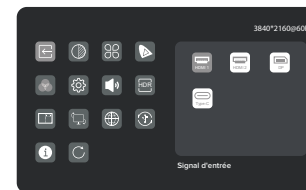
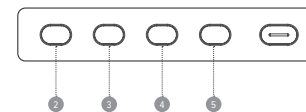
## Connexion de périphériques USB

L'écran comprend deux ports USB de type A qui peuvent être utilisés pour connecter à l'ordinateur des périphériques USB tels qu'un clavier, une souris ou une webcam.

Pour que l'ordinateur puisse voir les périphériques connectés à ces ports, l'ordinateur doit être connecté à l'un des ports USB-C et/ou USB-B (ou aux deux).

Remarques :

- Si l'ordinateur est uniquement connecté au port USB-C de l'écran, les ports fonctionneront à des vitesses USB 2.0 car le trafic vidéo partage le câble USB-C avec les données USB. Cette vitesse est suffisante pour la plupart des périphériques tels que les claviers, les souris et les webcams.
- Si l'ordinateur est connecté au port USB-B de l'écran, les ports fonctionneront à des vitesses USB 3.0. Ceci est préférable si vous utilisez des périphériques de stockage à grande vitesse tels que des disques durs externes et des clés USB.



### Modéré Contextuel

Choisissez parmi les préréglages d'image, y compris les modes Standard, Lecture, Film, Nuit, Confort, SRGB et Adobe.

### Règlages OSD

Modifiez la transparence du menu OSD et sa durée d'affichage à l'écran.

### USB

Vous pouvez mettre à jour le micrologiciel de votre moniteur via USB, empêcher votre ordinateur d'alimenter les périphériques USB lorsqu'il est en mode veille, et changer le port USB (C ou B) que Clarity Pro utilise pour les données non vidéo.

### Réinitialiser

Réinitialiser votre moniteur aux paramètres d'usine par défaut.



## Configuration de la webcam

- Pour utiliser la webcam intégrée, le moniteur doit être connecté à votre ordinateur via son port USB-C ou USB-B.
  - Après la connexion, accédez à "Commutateur USB" dans le sous-menu "USB" du menu d'options de votre moniteur et sélectionnez "TYPE-C" ou "TYPE-B" en fonction du câble que vous avez branché.
  - Ouvrez n'importe quel programme qui utilise la webcam, et celle-ci sortira automatiquement du moniteur.
- a. Il se peut que vous deviez passer de la webcam intégrée de votre ordinateur portable à "27C4KPDWT".

## Réglage de la webcam

Utilisez la molette de défilement située à l'arrière de la webcam pour régler le cadrage.

Pour modifier les paramètres de l'image, tels que la luminosité et le contraste, utilisez le menu des paramètres de votre ordinateur :

- a. Windows : Paramètres -> Bluetooth et périphériques -> Caméras -> 27C4KPDWT  
 b. macOS : les paramètres de l'image ne peuvent être réglés que via des applications tierces.  
 c. ChromeOS : les paramètres de l'image ne peuvent être réglés que par application.

## Rétraction de la webcam

La webcam se rétracte automatiquement lorsqu'elle n'est pas utilisée par un programme.

- a. N'essayez pas de repousser physiquement la webcam dans le moniteur, vous risqueriez de l'endommager.  
 b. Si la webcam ne se rétracte pas, essayez de la débrancher et de la rebrancher.

Síntoma	Solución
Mi ordenador no reconoce mi webcam	<ul style="list-style-type: none"> <li>Pruebe a reiniciar el ordenador.</li> <li>Vaya a Opciones USB -&gt; Cambiar USB activo en el menú OSD de Clarity Pro y asegúrese de que el tipo de USB seleccionado es el que está conectando.</li> <li>Intente desconectar/desconectar/desactivar otras webcams.</li> </ul>
Mi webcam no se desliza fuera de mi monitor	<ul style="list-style-type: none"> <li>Compruebe que la cámara web denominada "27C4KPDWT" está seleccionada en el menú de configuración de su ordenador.</li> <li>Reinicie la aplicación con la que desea utilizar la cámara web.</li> <li>Asegúrate de tener seleccionada la cámara web correcta en el software de vídeo.</li> </ul>
Mi webcam no se retrae en mi monitor	<ul style="list-style-type: none"> <li>Prueba a desconectar el ordenador del monitor.</li> <li>Prueba a abrir y cerrar una aplicación que utilice la webcam.</li> </ul>

## Utilisation de l'écran tactile

- Pour utiliser l'écran tactile, le moniteur doit être connecté à votre ordinateur via son port USB-C ou USB-B.
- Après la connexion, accédez à "Commutateur USB" dans le sous-menu "USB" du menu d'options de votre moniteur et sélectionnez "TYPE-C" ou "TYPE-B" en fonction du câble que vous avez branché.
- Téléchargez nos pilotes Clarity Pro Touch (voir les codes QR dans le glossaire).
- L'écran tactile devrait être automatiquement reconnu par votre ordinateur. Sinon, consultez notre section de dépannage ci-dessous

Symptôme	Solution
Mon ordinateur ne réagit pas à mon toucher.	<ul style="list-style-type: none"> <li>Débranchez votre câble USB de votre ordinateur et rebranchez-le.</li> <li>Vérifiez que vous avez sélectionné le bon câble USB dans les paramètres de votre moniteur.</li> <li>Redémarrez votre ordinateur</li> <li>Contactez le support d'ALOGIC si vous ne parvenez pas à résoudre votre problème.</li> </ul>

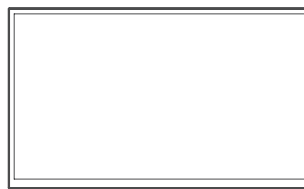
## Recherche de panne

Symptôme	Solution
Le bouton d'alimentation ne s'allume pas lorsqu'on appuie dessus	<ul style="list-style-type: none"> <li>Vérifiez que le cordon d'alimentation secteur est correctement fixé à l'adaptateur d'alimentation, qu'il est connecté à une prise de courant et que la prise de courant est allumée.</li> <li>Vérifiez que l'adaptateur d'alimentation est bien connecté à l'arrière du moniteur.</li> </ul>
Le bouton d'alimentation s'allume, mais rien ne s'affiche à l'écran.	<ul style="list-style-type: none"> <li>Débranchez l'adaptateur d'alimentation du moniteur et rebranchez-le au bout de 2 à 3 minutes.</li> <li>Appuyez sur le bouton d'alimentation et maintenez-le enfoncé pendant 5 secondes pour réinitialiser les paramètres du moniteur.</li> <li>Contactez l'assistance ALOGIC si les points ci-dessus ne fonctionnent pas.</li> </ul>
Le moniteur n'affiche pas la vidéo HDMI ou DisplayPort de l'ordinateur	<ul style="list-style-type: none"> <li>Vérifiez qu'un câble vidéo approprié est connecté entre l'ordinateur et l'écran et que l'entrée correcte est sélectionnée sur le moniteur.</li> <li>Vérifiez les paramètres de votre ordinateur pour vous assurer qu'il détecte le moniteur et qu'il émet de la vidéo vers lui.</li> </ul>
Le moniteur n'affiche pas la vidéo USB-C de l'ordinateur	<ul style="list-style-type: none"> <li>Vérifiez que vous utilisez le câble USB-C fourni avec le moniteur.</li> <li>Vérifiez les paramètres de votre ordinateur pour vous assurer qu'il détecte le moniteur et lui envoie de la vidéo.</li> <li>Vérifiez que le port USB-C de votre ordinateur auquel le moniteur est connecté prend en charge la sortie vidéo à l'aide du mode alternatif DisplayPort (DP Alt. Mode).</li> </ul>
L'ordinateur portable ne se charge pas lorsqu'il est connecté au moniteur via USB-C.	<ul style="list-style-type: none"> <li>Vérifiez que le port USB-C de votre ordinateur prend en charge la charge à l'aide de la norme USB Power Delivery (USB-PD).</li> <li>Certains ordinateurs portables nécessitent une puissance supérieure à 65 W pour se charger. Il s'agit généralement d'ordinateurs haut de gamme axés sur les graphiques et les jeux.</li> <li>Si nécessaire, connectez l'adaptateur d'alimentation fourni avec l'ordinateur à votre ordinateur portable en plus du câble USB-C connecté au moniteur.</li> </ul>

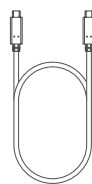
## Avertissement

- N'utilisez le moniteur qu'à l'intérieur, dans des endroits secs. N'utilisez pas le moniteur dans des endroits humides ou à proximité de sources d'eau, comme dans les salles de bain et les cuisines.
- Conservez et utilisez le moniteur dans un endroit frais, sec et ventilé. Ne le placez pas à proximité de sources de chaleur ou à la lumière directe du soleil.
- Veillez à ce que l'équipement soit installé sur une surface plane et stable. S'il est placé sur une surface inégale ou instable, le moniteur risque de tomber et d'être endommagé, de provoquer des blessures ou d'endommager d'autres objets.
- Il est normal que l'appareil soit légèrement chaud au toucher pendant son fonctionnement. Assurez une ventilation adéquate et ne couvrez pas l'appareil lorsqu'il est en fonctionnement.
- Ne couvrez pas et n'obstruez pas les orifices de ventilation situés à l'arrière du moniteur. Ne l'utilisez pas sur un lit, un canapé, une couverture ou un support similaire où le moniteur pourrait tomber ou être recouvert.
- Les plages de tension électrique et de fréquence acceptables sont indiquées sur l'étiquette située à l'arrière du moniteur. Ne connectez pas le moniteur à des sources d'alimentation qui se situent en dehors de ces limites.
- Si l'appareil n'est pas utilisé pendant des semaines ou des mois, il est recommandé de le débrancher afin d'économiser de l'énergie et de protéger l'équipement contre les dommages causés par les surtensions provoquées par la foudre en cas d'orage.
- N'insérez pas d'objets étrangers dans les orifices de ventilation du couvercle du moniteur, sous peine d'endommager l'appareil, de provoquer un incendie ou une électrocution.
- Le moniteur ne contient aucune pièce réparable par l'utilisateur. Le fait de démonter ou de tenter de réparer ce produit vous-même annulera la garantie et vous exposera à un risque d'électrocution. Si vous soupçonnez une défaillance de l'appareil, veuillez contacter le vendeur auprès duquel vous avez acheté le produit ou le service après-vente d'ALOGIC pour obtenir de l'aide.
- N'utilisez pas le produit s'il est endommagé, car vous risquez d'endommager les appareils connectés et de vous exposer à un choc électrique.
- N'écrasez pas, ne coupez pas, ne tirez pas et ne tordez pas excessivement le cordon d'alimentation. Si le cordon d'alimentation est endommagé, n'utilisez pas le produit jusqu'à ce que vous obteniez un cordon de rechange. L'utilisation d'un cordon d'alimentation endommagé peut entraîner un choc électrique.
- Ne vaporisez pas de liquides sur le moniteur. N'utilisez pas de produits chimiques tels que des solvants sur la surface du moniteur. Nettoyez le moniteur uniquement à l'aide d'un chiffon en microfibre propre, sec, doux et anti-rayures.
- Le montage ou le manque d'utilisation et d'entretien de votre appareil annule la garantie du produit.
- ALOGIC n'est pas responsable des dommages causés à l'appareil ou des dommages accessoires résultant d'une mauvaise utilisation ou d'un manque d'entretien et n'est pas responsable de la réparation/du remplacement de l'appareil ou d'autres dommages dans ces circonstances.

①



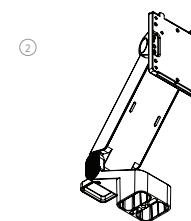
④



⑧

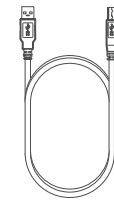


②



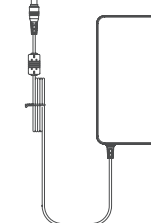
⑤

⑤

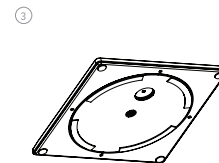


⑨

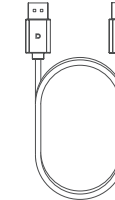
⑨



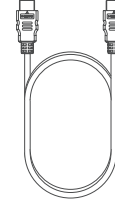
③



⑥



⑩



⑦



## Contenuto della confezione

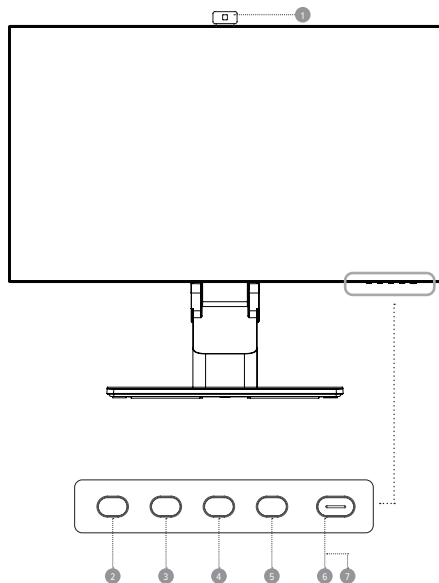
①	Monitor tattile nitido
②	Piegare il gambo del supporto
③	Base del supporto pieghevole
④	Cavo USB-C (USB 3.2 - Gen1)
⑤	Cavo da USB-A a USB-B

⑥	Cavo DisplayPort
⑦	4 viti (per il fissaggio del supporto)
⑧	Cavo di alimentazione (CA 100-240 V, 50/60 Hz)
⑨	Adattatore di alimentazione
⑩	Cavo HDMI

## Specifiche tecniche

Dimensioni dello schermo	27"
Dimensioni dello schermo	624mm x 220mm x 565mm (L x P x A)
Peso	7,6 kgs
Materiale	ABS, vetro, alluminio
Adattatore di alimentazione	Ingresso: CA 100-240V~, 50/60Hz Uscita: DC 19V ~ 7,89A, 150W (Max)
Rapporto d'aspetto	16:9
Retroilluminazione	QD
Luminosità	350 nit (tipico), 320 nit (minimo)
Pannello	IPS
Risoluzione	DP1.4: 3840*2160@60Hz HDMI2.0: 3840*2160@60Hz
Frequenza di aggiornamento	60Hz
Angolo di visione	178°(H) / 178°(V)

Rapporto di contrasto	1000:1
Montaggio VESA	100 x 100mm
Colori del display	8 bit + FRC, 1,07 miliardi di colori
Interfaccia	1x DP 1.4, 2x HDMI 2.0, 1x Type-C, 2x USB-A, 1x USB-B, 1x uscita audio
Audio	Altoparlanti: 5Wx2 Uscita audio: Sì
Videocamera	8MP
Microfono	4 Mic
Touchscreen	OGS Multitouch a 10 punti Supporta gli stili MPP 2.0
Bassa luce blu	Sì
Senza sfarfallio	Sì
Consegna di potenza USB PD	Fino a 65W di potenza massima per il computer host



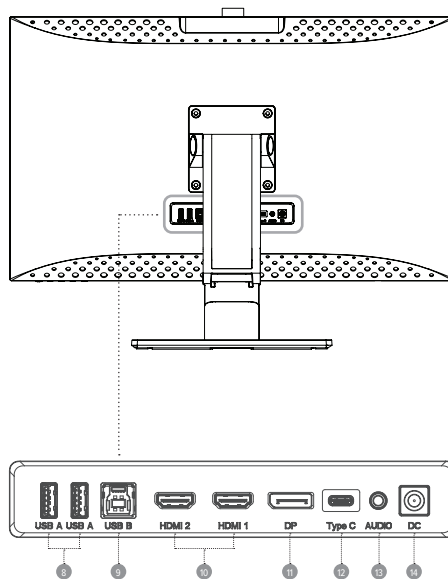
## Controlli del monitor

1	Webcam
2	Menu: premere per visualizzare il menu OSD e accedere al sottomenu.
3	Su/Sinistra: premere per spostarsi in alto/sinistra nei menu
4	Giù/Destra: premere per spostarsi verso il basso/destra nei menu
5	Esci: premere per uscire dal menu OSD.
6	Alimentazione: premere per accendere/spegnere il monitor.
7	Indicatore LED e pulsante di accensione

## Indicatore LED

L'indicatore luminoso bianco fisso indica che l'alimentazione è attiva e che il monitor funziona normalmente. La luce blu fissa indica che non vi è alcuna sorgente video, che è stato rilevato un segnale non valido o una bassa tensione. Accertarsi che il computer sia acceso e che tutti i cavi video siano inseriti o collegati correttamente.

Bianco		Funzionamento normale
Blu		Nessuna sorgente video Segnale non valido Viene rilevata una bassa tensione



## Porte del monitor

8	Porta USB-A
9	Porta USB-B
10	Porta HDMI
11	Porta display
12	Porta USB-C
13	Uscita audio per cuffie o altoparlanti alimentati
14	Ingresso alimentazione



## Disimballaggio e montaggio

Prima di disimballare il supporto, accertarsi che la scatola sia posizionata su una superficie piana e libera.

1. Aprire il coperchio della scatola del monitor, rimuovere il vassoio superiore di polistirolo contenente il supporto e metterlo da parte.
2. Aprire la borsa morbida che protegge il monitor per scoprire il punto in cui il supporto si attacca al retro del monitor. Lasciare il monitor sul vassoio di polistirolo per evitare di danneggiarlo durante l'installazione del supporto.
3. Fare attenzione quando si rimuove la fascia elastica che tiene in posizione lo stelo del supporto di piegatura, poiché lo stelo si aprirà con una forza sorprendente.
4. Inserire lo stelo del supporto nella base e utilizzare la vite a testa zigrinata sotto il supporto per fissarlo. Potrebbe essere necessario ruotare il disco sotto il supporto per esporre la vite a testa zigrinata.
5. Inserire il supporto nel monitor rivolto verso il basso e fissarlo con le quattro viti fornite. Il monitor è ora pronto per l'uso.

**Attenzione:** durante l'assemblaggio o lo spostamento del monitor, non esercitare pressione sull'area di visualizzazione del monitor. Lo schermo è fragile e qualsiasi pressione esercitata su di esso potrebbe romperlo.

Conservare la scatola del monitor e l'involucro di polistirolo per il trasporto e la conservazione del monitor in futuro.

**Attenzione:** La piega aperta sta lontana dal viso. Lo stelo del supporto si aprirà con forza.

**Avvertenza:** assicurarsi che le viti siano fissate saldamente prima di sollevare il supporto.

**Nota:** se sono necessarie delle sostituzioni, si consiglia di utilizzare viti M4 da 12-15 mm.



## Opzioni di montaggio

Il monitor è dotato di fori di montaggio distanziati di 100 x 100 mm che ne consentono il montaggio su qualsiasi braccio per monitor o accessorio per il montaggio a parete compatibile con lo standard VESA da 100 mm (non incluso).

I fori di montaggio sono incassati nell'area sul retro del monitor in cui si aggancia il supporto e sono nascosti da quest'ultimo quando è installato. I supporti VESA non possono essere utilizzati con il monitor mentre il supporto è fissato.

Il monitor è dotato di distanziali di montaggio con filettatura M4 che devono essere utilizzati quando si monta il monitor su un braccio o un altro supporto. Montare il monitor su un accessorio di montaggio VESA come segue.

1. Appoggiare il monitor a faccia in giù nel suo vassoio di imballaggio in polistirolo.

**Attenzione:** Non tentare di appoggiare lo schermo su superfici irregolari, comprese quelle morbide come tappeti e sedili, mentre si monta l'accessorio di montaggio: lo schermo potrebbe danneggiarsi.

2. Individuare i distanziali di montaggio nella borsa degli accessori fornita con il monitor. Con il monitor appoggiato nel vassoio di polistirolo, avvitare i quattro distanziali nei fori della nicchia di fissaggio del supporto. Non stringere troppo: un serraggio eccessivo dei distanziali può danneggiare il monitor.

3. Avvitare l'accessorio di montaggio VESA nei distanziali di montaggio.

**Attenzione:** Non esercitare pressione sul retro del monitor mentre si monta l'accessorio di montaggio: una pressione verso il basso sullo schermo potrebbe incrinarlo o danneggiarlo.

4. Sollevare con cautela il monitor e l'accessorio di montaggio dal vassoio e posizionarlo.

Assicurarsi che vi sia uno spazio libero di 50 mm intorno a tutti i lati del monitor quando è installato, per evitare che si surriscaldi.



## Collegamento del monitor

### Collegamento del cavo di alimentazione

Collegare il cavo di alimentazione in dotazione al connettore di alimentazione, quindi inserire l'altra estremità in una presa a muro.

### Collegamento di una sorgente video

Il monitor dispone di quattro ingressi video che possono essere collegati simultaneamente. Per collegare un computer o un altro dispositivo sorgente, collegare uno dei cavi HDMI, DisplayPort o USB-C in dotazione al computer e alla porta corrispondente del monitor.

### Nota:

- La connessione USB-C fornisce fino a 65W di potenza al computer che supportano USB Power Delivery (USB PD). Ciò consente al computer di visualizzare il video sul monitor mentre viene ricaricato tramite un unico cavo. Di conseguenza, il tipo di connessione USB-C è l'opzione migliore se il computer dispone di questa funzionalità.
- A seconda delle capacità del computer, potrebbe non essere in grado di fornire 4K a una frequenza di aggiornamento completa di 60 Hz se collegato al monitor tramite HDMI. La connessione USB-C o DisplayPort dovrebbe essere utilizzata come prima preferenza se il computer supporta questi tipi di connessione.
- Non tutte le porte USB-C dei computer supportano l'uscita video e/o la ricarica tramite USB PD. Se il computer non visualizza il video sul monitor o non avvia la ricarica quando è collegato al monitor tramite USB-C, verificare che la porta USB-C del computer supporti l'uscita video in modalità alternativa DisplayPort e la ricarica tramite USB PD.
- Non tutti i cavi USB-C supportano il trasferimento video o la ricarica oltre i 60W. Si consiglia di utilizzare il cavo USB-C fornito con il monitor per evitare potenziali problemi con i cavi acquistati separatamente.

### Uscita audio

Il display è dotato di altoparlanti integrati e di un jack di uscita audio per consentire il collegamento di cuffie e altoparlanti esterni. Quando si collega un dispositivo audio esterno, gli altoparlanti interni del display vengono disattivati.

## Collegamento di dispositivi audio

La porta audio del display supporta solo dispositivi di uscita come cuffie e altoparlanti. Non è possibile collegare a questa porta microfoni o altri dispositivi di ingresso. Le cuffie con microfono incorporato possono essere collegate a questa porta, ma il microfono non funziona.

Per inviare l'audio dal computer agli altoparlanti del display o al dispositivo audio collegato, selezionare "27C4KPDW" come destinazione audio nelle impostazioni audio del computer.

## Collegamento di dispositivi USB

Il display include due porte USB di tipo A che possono essere utilizzate per collegare al computer periferiche USB quali tastiera, mouse o webcam. Affinché il computer possa vedere i dispositivi collegati a queste porte, è necessario che il computer sia collegato a una delle porte USB-C o USB-B (o a entrambe).

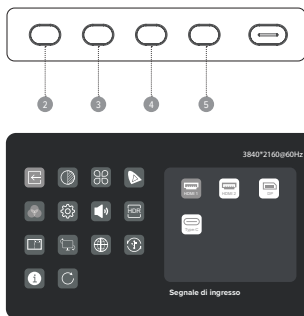
Note:

- Se il computer è collegato solo alla porta USB-C del display, le porte funzioneranno a velocità USB 2.0 perché il traffico video condivide il cavo USB-C con i dati USB. Questa velocità è sufficiente per la maggior parte delle periferiche come tastiere, mouse e webcam.
- Se il computer è collegato alla porta USB-B del display, le porte funzionano alla velocità di USB 3.0. Questa velocità è preferibile se si utilizza una velocità elevata. Questo è preferibile se si utilizzano dispositivi di archiviazione ad alta velocità come dischi rigidi esterni e unità flash USB.

## Menu OSD

L'OSD (On-Screen Display) consente di regolare le impostazioni del monitor.

1. Premere **2** per accedere al menu OSD.
2. Premere **3** o **4** per scorrere le funzioni.
  - Evidenziare la funzione desiderata, quindi premere **2** per accedere al sottomenu.
  - Premere **3** o **4** per scorrere i sottomenu, quindi premere **2** per evidenziare la funzione desiderata.
  - Premere **3** o **4** per evidenziare un'opzione, quindi premere **2** per confermare le impostazioni e uscire dalla schermata corrente.
  - Premere **5** per annullare o tornare al menu precedente.
3. Premere **3** o **4** per regolare l'impostazione, quindi premere **2** per confermare le modifiche e uscire.



<p><b>Segnale di ingresso</b></p> <p>Commuta tra gli ingressi video.</p>	<p><b>Luminosità/Contrasto</b></p> <p>Regola la luminosità, il bilanciamento delle ombre e il contrasto.</p>	<p><b>Modello cont.</b></p> <p>Scegliere tra le preimpostazioni delle immagini, tra cui le modalità Standard, Lettura, Film, Notte, Comfort, SRGB e Adobe.</p>
<p><b>Imp. Immagine</b></p> <p>Regola la saturazione, la nitidezza e la gamma del monitor.</p>	<p><b>Impostazioni C.T</b></p> <p>Regola la temperatura del colore del monitor tra Caldo, Freddo e Definito dall'utente.</p>	<p><b>Imp. OSD</b></p> <p>Modifica la trasparenza del menu OSD e il tempo di permanenza sullo schermo.</p>
<p><b>HDR</b></p> <p>Attiva la modalità HDR (High Dynamic Range) del monitor, per ottenere colori più vivaci.</p> <p>Non tutti i dispositivi e i programmi supportano l'ingresso HDR e potrebbero apparire troppo luminosi con questa opzione attivata.</p>	<p><b>PIP/PBP</b></p> <p>La modalità Picture in Picture consente a Clarity Pro di visualizzare video da due sorgenti contemporaneamente.</p> <p>Utilizzare questo menu per selezionare le sorgenti e scegliere la modalità di visualizzazione.</p>	<p><b>USB</b></p> <p>È possibile aggiornare il firmware del monitor tramite USB, impedire al computer di alimentare i dispositivi USB in modalità di sospensione e cambiare la porta USB (C o B) utilizzata da Clarity Pro per i dati non video.</p>
<p><b>Lingua</b></p> <p>Imposta la lingua dell'OSD.</p>	<p><b>Audio</b></p> <p>È possibile disattivare o regolare il volume degli altoparlanti del monitor.</p>	<p><b>Ripristino</b></p> <p>Ripristina le impostazioni di fabbrica del monitor.</p>

## Impostazione della webcam

1. Per utilizzare la webcam incorporata, il monitor deve essere collegato al computer tramite la porta USB-C o USB-B.
  2. Dopo il collegamento, passare a "Interruttore USB" nel sottomenu "USB" del menu delle opzioni del monitor e selezionare "TYPE-C" o "TYPE-B" a seconda del cavo collegato.
  3. Aprire un qualsiasi programma che utilizzi la webcam e questa verrà automaticamente visualizzata dal monitor.
- a. Potrebbe essere necessario passare dalla webcam integrata del portatile a "27C4KPDWT".

## Regolazione della webcam

1. Utilizzare la rotella di scorrimento sul retro della webcam per regolare l'inquadratura.
2. Per modificare le impostazioni dell'immagine come luminosità e contrasto, utilizzare il menu delle impostazioni del computer:
  - a. UN. Windows: Impostazioni -> Bluetooth e dispositivi -> Fotocamere -> 27C4KPDWT
  - b. macOS: le impostazioni dell'immagine possono essere regolate solo tramite applicazioni di terze parti.
  - c. Chrome OS: le impostazioni dell'immagine possono essere regolate solo in base all'applicazione.

## Ritiro della webcam

La webcam si ritirerà automaticamente quando non viene utilizzata da alcun programma.

- a. UN. Non tentare di reinserire fisicamente la webcam nel monitor, potresti danneggiarla.
- b. Se la webcam non si ritira, prova a scollegarla e ricollegarla.

Symptôme	Solution
Mon ordinateur ne reconnaît pas ma webcam.	<ul style="list-style-type: none"> <li>• Essayez de redémarrer votre ordinateur</li> <li>• Naviguez vers USB Options -&gt; Switch Active USB dans l'OSD de Clarity Pro et assurez-vous que le type d'USB sélectionné est celui avec lequel vous vous connectez.</li> <li>• Essayez de débrancher/déconnecter/désactiver les autres webcams.</li> <li>• Try unplugging/disconnecting/disabling other webcams.</li> </ul>
Ma webcam ne glisse pas hors de mon moniteur	<ul style="list-style-type: none"> <li>• Vérifiez que la webcam nommée "27C4KPDWT" est sélectionnée dans le menu des paramètres de votre ordinateur.</li> <li>• Redémarrez l'application avec laquelle vous souhaitez utiliser la webcam.</li> <li>• Assurez-vous que la bonne webcam est sélectionnée dans votre logiciel vidéo.</li> </ul>
Ma webcam ne se rétracte pas dans mon moniteur.	<ul style="list-style-type: none"> <li>• Essayez de débrancher votre ordinateur du moniteur.</li> <li>• Essayez d'ouvrir et de fermer une application qui utilise la webcam.</li> </ul>

## Utilizzo del touch screen

1. Per utilizzare il touchscreen, il monitor deve essere collegato al computer tramite la sua porta USB-C o USB-B.
2. Dopo la connessione, vai a "Interruttore USB" nel sottomenu "USB" del menu delle opzioni del monitor e seleziona "TYPE-C" o "TYPE-B" a seconda del cavo che hai collegato.
3. Scarica i nostri driver Clarity Pro Touch (vedere codici QR nel Glossario).
4. Il touchscreen dovrebbe essere riconosciuto automaticamente dal computer. In caso contrario, consulta la nostra sezione di risoluzione dei problemi di seguito

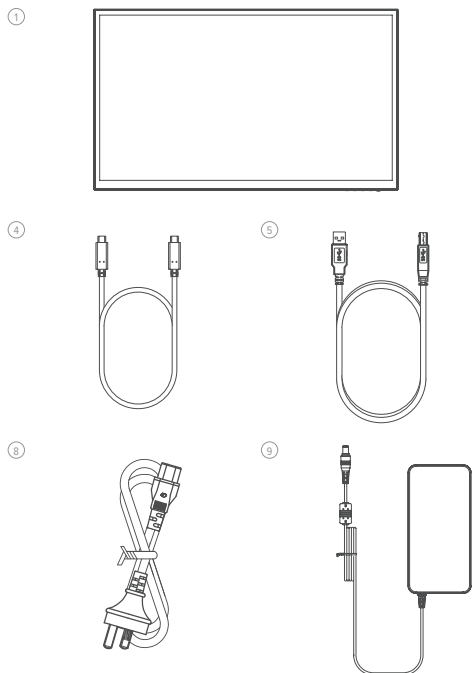
Sintomo	Soluzione
Il mio computer non reagisce al mio tocco	<ul style="list-style-type: none"> <li>• Scollega il cavo USB dal computer e ricollegalo.</li> <li>• Verifica di aver selezionato il cavo USB corretto nelle impostazioni del monitor.</li> <li>• Riavvia il tuo computer</li> <li>• Contatta l'assistenza ALOGIC se quanto sopra non risolve il tuo problema.</li> </ul>

## Risoluzione dei problemi

Sintomo	Soluzione
Il pulsante di accensione non si illumina quando viene premuto	<ul style="list-style-type: none"> <li>• Verificare che il cavo di alimentazione di rete sia collegato saldamente all'adattatore di alimentazione, sia collegato a una presa di corrente e che la presa di corrente sia accesa.</li> <li>• Verificare che l'adattatore di alimentazione sia collegato saldamente alla parte posteriore del monitor.</li> </ul>
Il pulsante di accensione si illumina quando viene visualizzato nulla	<ul style="list-style-type: none"> <li>• Scollegare l'alimentatore dal monitor e ricollegarlo dopo 2-3 minuti.</li> <li>• Tenere premuto il pulsante di accensione per 5 secondi per ripristinare le impostazioni del monitor.</li> <li>• Contattare il supporto ALOGIC se i punti precedenti non funzionano.</li> </ul>
Il monitor non mostra il video HDMI o DisplayPort dal computer	<ul style="list-style-type: none"> <li>• Verificare che sia collegato un cavo video appropriato tra il computer e il display e che sia selezionato l'ingresso corretto sul monitor.</li> <li>• Controlla le impostazioni del tuo computer per verificare che rilevi il monitor e gli trasmetta il video.</li> </ul>
Il monitor non mostra il video USB-C dal computer	<ul style="list-style-type: none"> <li>• Verificare di utilizzare il cavo USB-C fornito con il monitor.</li> <li>• Controlla le impostazioni del tuo computer per verificare che rilevi il monitor e gli trasmetta il video.</li> <li>• Verificare che la porta USB-C del computer a cui è collegato il monitor supporti l'uscita video utilizzando la modalità alternativa DisplayPort (DP Alt. Mode).</li> </ul>
Il computer portatile non si carica quando è collegato al monitor tramite USB-C	<ul style="list-style-type: none"> <li>• Verifica che la porta USB-C del computer supporti la ricarica utilizzando lo standard USB Power Delivery (USB-PD).</li> <li>• Alcuni laptop richiedono più di 65 W di potenza per la ricarica. Questi tendono ad essere grafici di fascia alta e computer focalizzati sui giochi.</li> <li>• Se necessario, collegare l'alimentatore fornito con il computer al laptop oltre al cavo USB-C collegato al monitor.</li> </ul>

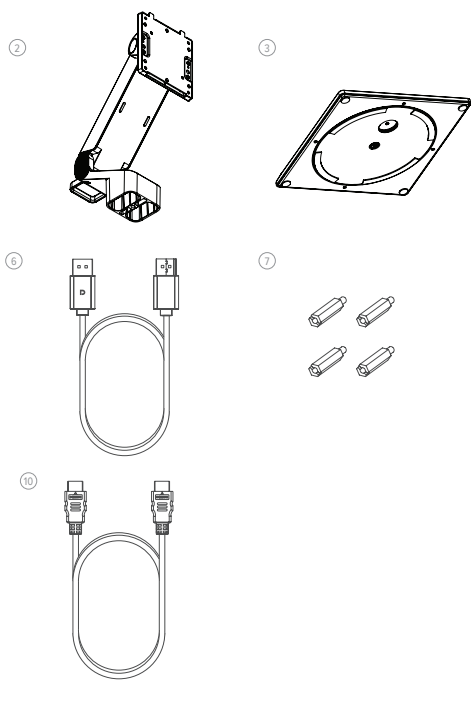
## Avvertenze

- Utilizzare il monitor solo all'interno in luoghi asciutti. Non utilizzare il monitor in luoghi umidi o vicino a fonti d'acqua come bagni e cucine.
- Conservare e utilizzare in un luogo fresco, asciutto e ventilato. Non posizionare vicino a fonti di calore o alla luce diretta del sole.
- Assicurarsi che l'apparecchiatura sia installata su una superficie piana e stabile. Se posizionato su una superficie irregolare o instabile, il monitor potrebbe cadere e danneggiarsi, causare lesioni personali o danneggiare altri oggetti.
- È normale che il dispositivo sia leggermente caldo al tatto durante il funzionamento. Fornire una ventilazione adeguata e non coprire il dispositivo durante il funzionamento.
- Non coprire o bloccare i fori di ventilazione sul coperchio posteriore del monitor. Non utilizzare su letti, divani, coperte o simili dove il monitor potrebbe cadere o coprirsi.
- La tensione di alimentazione elettrica e gli intervalli di frequenza accettabili sono indicati sull'etichetta sul coperchio posteriore del monitor. Non collegare il monitor a fonti di alimentazione che non rientrano in questi limiti.
- Se il dispositivo non verrà utilizzato per settimane o mesi, si consiglia di scollegare l'alimentazione per risparmiare energia e proteggere l'apparecchiatura dai danni causati da picchi di corrente indotti da fulmini in caso di tempeste.
- Non inserire oggetti estranei nei fori di ventilazione del coperchio del monitor poiché potrebbero verificarsi danni, incendi o scosse elettriche.
- Il monitor non contiene parti riparabili dall'utente. Lo smontaggio o il tentativo di riparare da soli questo prodotto annullerà la garanzia e vi esporrà al rischio di scosse elettriche. Se sospetti un guasto del dispositivo, contatta il venditore da cui hai acquistato il prodotto o il supporto post-vendita ALOGIC per ricevere assistenza.
- Non utilizzare il prodotto se danneggiato in quanto ciò potrebbe comportare il rischio di causare danni ai dispositivi collegati ed esporsi a scosse elettriche.
- Non schiacciare, tagliare, tirare o torcere eccessivamente il cavo di alimentazione. Se il cavo di alimentazione viene danneggiato, non utilizzare il prodotto finché non è possibile ottenere un cavo di alimentazione sostitutivo. L'uso di un cavo di alimentazione danneggiato può causare scosse elettriche.
- Non spruzzare liquidi sul monitor. Non utilizzare prodotti chimici come solventi sulla superficie del monitor. Pulire il monitor solo con un panno in microfibra pulito, asciutto, morbido e antigraffio.
- Lo smontaggio o il mancato utilizzo e cura corretti del dispositivo invaliderà la garanzia sul prodotto.
- ALOGIC non si assume alcuna responsabilità per danni al dispositivo o danni incidentali derivanti da uso improprio o mancanza di cura e non è responsabile per la riparazione/sostituzione del dispositivo o altri danni in tali circostanze.



## パッケージ内容

①	クラリティタッチモニター
②	フォールドスタンドシステム
③	折りたたみスタンドベース
④	USB-C ケーブル (USB3.2 - Gen1)
⑤	USB-A - USB-B ケーブル

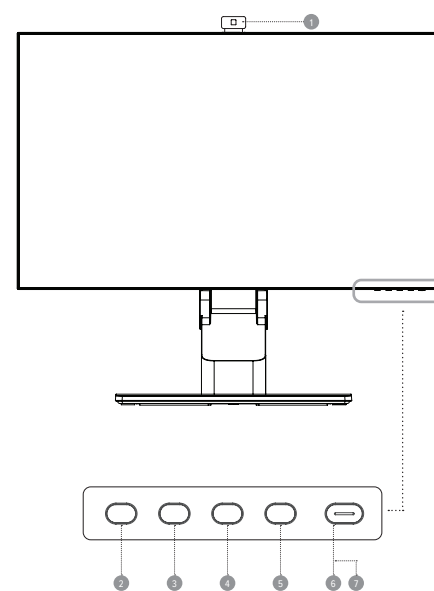


⑥	DisplayPortケーブル
⑦	ネジ4本 (スタンド取り付け用)
⑧	電源ケーブル(AC100-240V 50/60Hz)
⑨	電源アダプター
⑩	HDMI ケーブル

## 仕様

画面サイズ	27"
外形寸法図	624mm×220mm×565mm (長さ×幅×高さ)
重量	7.6キログラム
素材	ABS、ガラス、アルミニウム
電源アダプター	入力 AC 100-240V～ 50/60Hz 出力する。: DC 19 V 8.79A,150W (マックス)
アスペクト比	16:9
バックライト	QD
明るさ	350 nits (標準)、320 nits (最小)
パネル	IPS
解像度	DP1.4: 3840*2160@60Hz HDMI2.0 : 3840*2160@60Hz
リフレッシュレート	60Hz
視野角	178° (H) / 178° (V)

コントラスト比	1000:1
VESAマウント	100 x 100mm
ディスプレイカラー	8 ビット + FRC、107 億色
インターフェース	DP 1.4×1、HDMI 2.0×2、Type-C×1、USB-A×2、USB-B×1、オーディオ出力×1
オーディオ	スピーカー 5W×2 オーディオ出力。あり
カメラ	8MP
マイクロフォン	4 Mic アレイ
タッチスクリーン	OGS 10 ポイント マルチタッチ MPP2.0 スタイラスをサポート
ブルーライト低減	はい
フリッカーフリー	はい
USB PD パワーデリバリー	ホストコンピュータへの最大電力は65Wまで



## モニターコントロール

①	ウェブカメラ
②	メニュー: OSDメニューを表示し、サブメニューに入ります。
③	上/左: メニューの中で上/左に移動します。
④	下/右: メニューの中で下/右に移動します
⑤	終了: OSDメニューを終了します。
⑥	電源: モニターの電源が入ります。
⑦	LEDインジケーターと電源ボタン

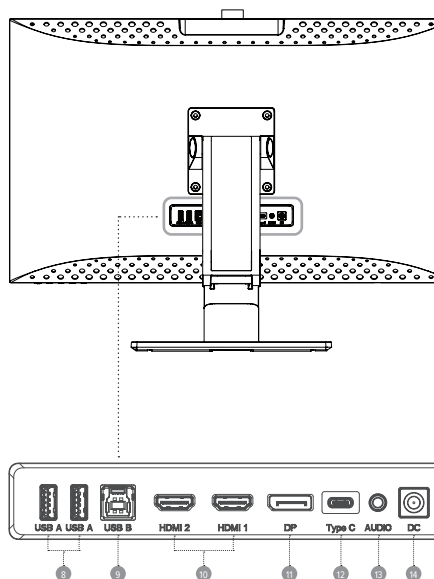
## インジケーターランプ

インジケーターライトが白色で点灯している場合は電源が入っており、モニターが正常に動作していることを示します。青色の点灯は、ビデオソースがない、無効な信号、または低電圧が検出されたことを示します。コンピュータの電源が入っていること、すべてのビデオケーブルが完全に差し込まれているか、接続されていることを確認してください。

白色		通常動作
ブルー		ビデオソースがない 無効な信号 低電圧を検出した

## モニターポート

⑧	USB-Aポート
⑨	USB-Bポート
⑩	HDMIポート
⑪	DisplayPortポート
⑫	USB-Cポート
⑬	ヘッドホンまたはスピーカー用オーディオ出力
⑭	電源入力





P7、P8の図をご参照ください。



## 開梱・組立

スタンドの梱包を解く前に、箱が平らで物が無い場所に置かれていることを確認してください。

1. モニターボックスの蓋を開け、スタンドのに入った上部の発泡スチロール製トレイを取り出し、片側に置きます。
2. モニターを保護しているソフトバッグを開き、モニターの背面にスタンドが取り付けられている部分を確認します。スタンドの取り付け時にモニターを傷つけないように、モニターを発泡スチロールのトレイに寝かせたままにしておきます。
3. フォールド スタンド システムを固定しているゴムバンドを外すときは、ステマが驚くべき力で開くので注意してください。
4. スタンド システムをベースに挿入し、スタンドの下つまみネジを使用して固定します。つまみネジを露出させるには、スタンドの下でディスクを回転させる必要がある場合があります。
5. スタンドをフェイスダウンモニターに挿入し、付属の 4 本のネジで固定します。これでモニターを使用する準備が整いました。

**警告:** モニターの組み立て中や移動中は、モニターのディスプレイ部分に圧力をかけないでください。ディスプレイ画面は壊れやすいので、力を加えるとディスプレイが壊れます。

モニターの箱と発泡スチロールの梱包材は、今後のモニターの輸送や保管のために保管してください。

**警告:** 顔から離れた位置でスタンドを開きます。スタンドシステムはパネの力で開きます。

**警告:** スタンドを持ち上げる前に、ネジがしっかりと固定されていることを確認してください。

注: 交換が必要な場合は、M4 12 ~ 15 mm ネジを使用することを勧めます。



## マウントオプション

モニターには100×100mm間隔の取り付け穴があり、互換性のある100mmVESA規格のモニターアームやウォールマウントアクセサリ（別売）が取り付けられます。

取り付け穴は、モニター背面にあり、取り付け時にはスタンドに隠れるようになっていきます。スタンドを取り付けた状態では、VESAマウントを使用することはできません。

モニターをモニターアームなどのマウントに取り付ける際に使用する、M4ネジのマウントスペーサーがモニターに付属しています。モニターをVESAマウントアクセサリに取り付けるには、次のようになります。

1. モニターを発泡スチロール製の梱包トレイに伏せて置きます。

**警告:** 取り付けアクセサリを取り付ける際に、カーペットや座席などの柔らかい面を含む凹凸のある場所にモニターを置かないでください。画面が損傷する可能性があります。

2. モニターに付属しているアクセサリバッグの中から、マウントスペーサーを確認します。モニターを発泡スチロールのトレイに寝かせた状態で、4つのスペーサーをスタンドが取り付けられる凹部の穴にねじ込みます。スペーサーを締め付けすぎると、モニターが破損することがあります。

3. VESAマウントアクセサリをマウントスペーサーにねじ込みます。

**警告:** モニターに下向きの圧力をかけると、画面にひびが入ったり、破損したりすることがあります。

4. モニターとマウントアクセサリをトレイから慎重に持ち上げて、所定の位置に設置します。

モニターが過熱しないように、設置時にモニターのすべての側面に50mmの隙間があることを確認してください。



## モニターを接続する

電源ケーブルの接続

付属の電源ケーブルを電源コネクタに接続し、もう一方の端をコンセントに差し込みます。

ビデオソースを接続する ビデオソースを接続する

モニターには4つのビデオ入力があり、同時に接続することができます。コンピュータやその他のソースデバイスを接続するには、付属のHDMI、DisplayPort、USB-Cケーブルのいずれかをコンピュータに差し込み、モニタの対応するポートに接続します。

注意事項

- USB-C接続は、USB Power Delivery (USB PD) をサポートするコンピュータに最大65Wの電力を供給します。これにより、コンピュータは1本のケーブルで充電しながらモニターに映像を表示することができます。そのため、お使いのコンピュータがこの機能を備えている場合は、USB-C接続タイプが最適な選択となります。
- コンピュータの性能によっては、HDMIを使用してモニターに接続した場合、60Hzのフルリフレッシュレートで4Kを提供できない場合があります。コンピュータがこの接続タイプをサポートしている場合、USB-CまたはDisplayPort接続を第一優先として使用する必要があります。
- コンピュータのすべてのUSB-Cポートが、ビデオ出力やUSB PDによる充電をサポートしているわけではありません。USB-Cでモニターに接続してもモニターに映像が映らない、充電が始まらない場合は、パソコンのUSB-CポートがDisplayPort Alternate Modeの映像出力とUSB PDによる充電に対応しているかどうかを確認してください。
- すべてのUSB-Cケーブルがビデオ転送や60W以上の充電に対応しているわけではありません。別途入手したケーブルの潜在的な問題を避けるため、モニターに付属するUSB-Cケーブルを使用することをお勧めします。

オーディオ出力

ディスプレイには内蔵スピーカーのほか、ヘッドホンや外部スピーカーを接続する音声出力端子を備えています。外部オーディオ機器を接続した場合、ディスプレイのオンボードスピーカーは無効になります。



## オーディオデバイスを接続する

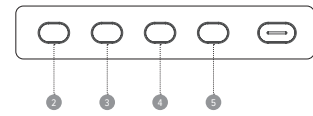
ディスプレイのオーディオポートは、ヘッドホンやスピーカーなどの出力機器にのみ対応しています。このポートにマイクなどの入力機器を接続することはできません。マイク内蔵のヘッドホンは接続可能ですが、マイクは機能しません。

パソコンからディスプレイのスピーカーや接続したオーディオ機器に音声を送るには、パソコンのサウンド設定で音声の送り先に「27C4KPDWT」を選択してください。

## OSDメニュー

OSD (On-Screen Display) を使って、モニターの設定を調整することができます。

1. **2** を押して、OSD メニューを表示します。
2. **3** または **4** を押して、機能をブラウズします。
  - 希望の機能をハイライト表示し、**2** を押してサブメニューに入ります。
  - **3** または **4** を押してサブメニューをブラウズし、**2** を押して希望の機能を強調表示します。
  - **3** または **4** を押してオプションをハイライトし、**2** を押して設定を確認し、現在の画面を終了します。
  - **5** を押してキャンセルするか、前のメニューに戻ります。
3. **3** または **4** を押して設定を調整し、**2** を押して変更を確認し、終了します。



<p><b>入力信号</b></p> <p>ビデオ入力の切り替えを行います。</p>	<p><b>輝度/コントラスト</b></p> <p>明るさ、シャドウバランス、コントラストを調整します。</p>	<p><b>文脈モデル</b></p> <p>スタンダード、リーディング、ムービー、ナイト、コンフォート、SRGB、アドビモードなどのピクチャープリセットから選択できます。</p>
<p><b>ピクチャ設定</b></p> <p>モニターの「彩度」「シャープネス」「ガンマ」を調整します。</p>	<p><b>C.T 設定</b></p> <p>モニターの色温度をウォーム、クール、ユーザ一定義で調整します。</p>	<p><b>OSD 設定</b></p> <p>OSDメニューの透明度や画面上に表示される時間を変更します。</p>
<p><b>HDR</b></p> <p>モニターのHDR (ハイダイナミックレンジ) モードを有効にし、より鮮やかな色彩を実現します。</p> <p>すべての機器やプログラムがHDR入力をサポートしているわけではないので、このモードを有効にすると明るすぎることがあります。</p>	<p><b>PIP/PBP</b></p> <p>Picture in Pictureモードでは、Clarity Pro は2つのソースからのビデオを一度に表示することができます。</p> <p>このメニューを使用してソースを選択し、表示方法を選択します。</p>	<p><b>USB</b></p> <p>USB経由でモニターのファームウェアをアップグレードすることで、スリープモード中にコンピュータがUSBデバイスに給電しないようにしたり、Clarity Proがビデオ以外のデータに使用するUSBポート（CまたはB）を切り替えることができます。</p>
<p><b>言語</b></p> <p>OSDの言語を設定する。</p>	<p><b>音声</b></p> <p>モニターのスピーカーの消音や音量調整をすることができます。</p>	<p><b>リセット</b></p> <p>モニターを工場出荷時の設定に戻します。</p>



## ウェブカメラのセットアップ

1. 内蔵Webカメラを使用するには、モニターをUSB-CまたはUSB-Bポートでコンピュータに接続する必要があります。
2. 接続後、モニターのオプションメニューの「USB」サブメニューの「USBスイッチ」に移動し、接続したケーブルに応じて「TYPE-C」または「TYPE-B」のいずれかを選択します。
3. ウェブカメラを使用するプログラムを開くと、自動的にモニターからポップアウトします。
  - ノートパソコンの内蔵ウェブカメラから「27C4KPDWT」に切り替える必要がある場合があります。

## ウェブカメラを調整する

1. ウェブカメラの背面にあるスクロールホイールを使用して、フレーミングを調整します。
2. 明るさやコントラストなどの画像設定を変更するには、コンピュータの設定メニューを使用します。
  - a. Windows: 設定 -> Bluetoothとデバイス-> カメラ -> 27C4KPDWT
  - b. macOS: ビクチャーの設定は、サードパーティーのアプリケーション経由でのみ調整可能です。
  - c. ChromeOS: 画像の設定は、アプリケーションごとにのみ調整可能です。

## ウェブカメラを収納する

アプリで使用しないときは、ウェブカメラは自動的に収納されます。

- a. ウェブカメラを物理的にモニターに押し戻そうとしないでください、破損する可能性があります。
- b. ウェブカメラが収納されない場合は、ウェブカメラのプラグを抜き、再度差し込んでみてください。

症状	解決方法
コンピュータがウェブカメラを認識しない	<ul style="list-style-type: none"> <li>• コンピュータの再起動をお試しください</li> <li>• Clarity Pro の OSD で USB Options -&gt; Switch Active USB に移動し、選択した USB タイプが接続するものであることを確認します。</li> <li>• 他のウェブカメラのプラグの抜き差し、接続の解除、無効化を試してみてください。</li> </ul>
ウェブカメラがモニターからスライドして出てこない	<ul style="list-style-type: none"> <li>• コンピュータの設定メニューで「27C4KPDW」という名前のウェブカメラが選択されていることを確認します。</li> <li>• ウェブカメラを使用するアプリケーションを再起動してください。</li> <li>• ビデオソフトで正しいウェブカメラが選択されていることを確認してください。</li> </ul>
ウェブカメラがモニターに収納されない	<ul style="list-style-type: none"> <li>• コンピュータのプラグをモニターから抜いてみてください。</li> <li>• ウェブカメラを使用するアプリケーションを開いたり閉じたりしてみてください。</li> </ul>

## タッチスクリーンの使用

1. タッチパネルを使用するには、モニターのUSB-CまたはUSB-Bポートでコンピュータに接続する必要があります。
2. 接続後、モニターのオプションメニューの「USB」サブメニューの「USBスイッチ」に移動し、接続したケーブルに応じて「TYPE-C」または「TYPE-B」のいずれかを選択します。
3. Clarity Pro Touch ドライバーをダウンロードします (3 ページを参照)。
4. タッチスクリーンはコンピュータによって自動的に認識されるはずですが、そうでない場合は、以下のトラブルシューティングのセクションを参照してください。い。

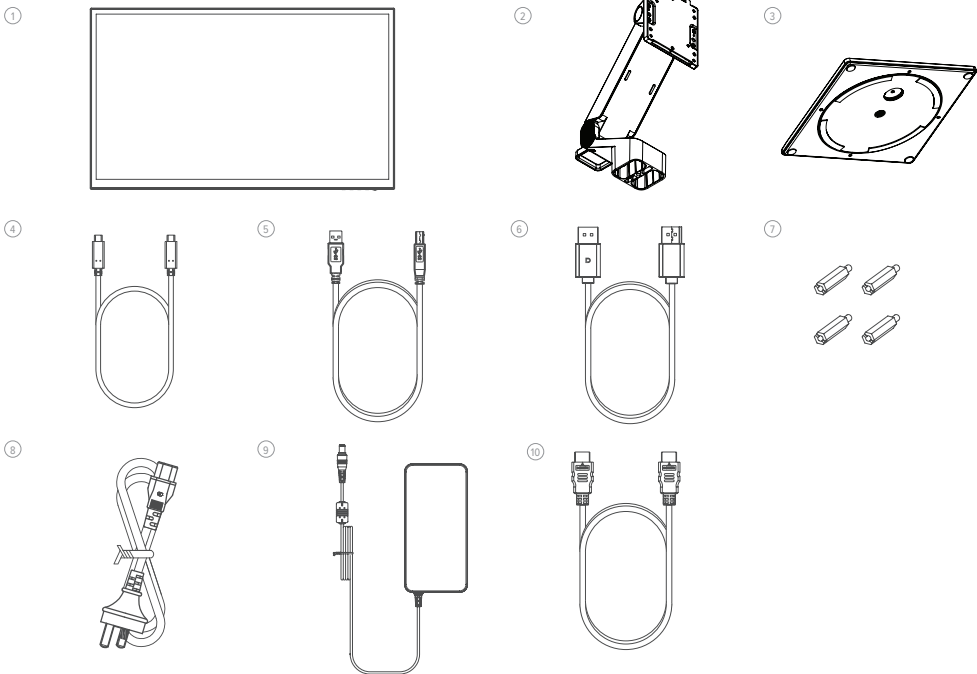
症状	解決方法
パソコンがタッチに反応しない	<ul style="list-style-type: none"> <li>• USBケーブルをコンピュータから抜き、再度差し込んでください。</li> <li>• モニターの設定で、正しいUSBケーブルを選択したことを確認してください。</li> <li>• コンピュータを再起動してください</li> <li>• 上記で解決しない場合は、ALOGICサポートにご連絡ください。</li> </ul>

## トラブルシューティング

症状	解決方法
電源ボタンを押しても点灯しない	<ul style="list-style-type: none"> <li>• 主電源コードが電源アダプタにしっかりと取り付けられていること、電源コンセントに接続されていること、電源コンセントの電源がオンになっていることを確認します。</li> <li>• 電源アダプタがモニタの背面にしっかりと接続されていることを確認します。</li> </ul>
電源ボタンは点灯するが、画面には何も表示されない	<ul style="list-style-type: none"> <li>• 電源アダプターをモニターから外し、2〜3分後に再接続します。</li> <li>• 電源ボタンを5秒間長押しして、モニターの設定をリセットしてください。</li> <li>• 上記のポイントを行ってもうまくいかない場合は、ALOGICサポートにお問い合わせください。</li> </ul>
コンピュータからのHDMIまたはDisplayPortの映像がモニターに表示されない	<ul style="list-style-type: none"> <li>• コンピュータとディスプレイ間に適切なビデオケーブルが接続され、モニターで正しい入力を選択されていることを確認してください。</li> <li>• コンピュータの設定を確認し、コンピュータがモニターを検出し、モニターに映像を出していることを確認します。</li> </ul>
モニターにパソコンからのUSB-C映像が表示されない	<ul style="list-style-type: none"> <li>• モニターに付属の USB-C ケーブルを使用していることを確認します。</li> <li>• コンピュータの設定を確認し、モニターが検出され、映像が出力されていることを確認します。</li> <li>• モニターを接続しているコンピュータのUSB-Cポートが、DisplayPort Alternate Mode (DP Alt. Mode) による映像出力に対応していることを確認してください。</li> </ul>
ノートパソコンとモニターをUSB-Cで接続しても充電されない	<ul style="list-style-type: none"> <li>• コンピュータのUSB-Cポートが、USB Power Delivery (USB-PD) 規格を使用した充電をサポートしていることを確認してください。</li> <li>• ノートパソコンの中には、充電に65W以上の電力が必要なものがあります。これらは、ハブエンドのグラフィックスやゲームに特化したコンピュータである傾向があります。</li> <li>• 必要に応じて、モニターに接続されているUSB-Cケーブルに加えて、コンピュータに付属している電源アダプターをノートパソコンに接続してください。</li> </ul>

## 警告

- モニターは、屋内の乾燥した場所でのみ使用してください。湿気が多い場所や、浴室や台所などの水場の近くではモニターを使用しないでください。
- 涼しく乾燥した換気の良い場所で保管し、使用してください。熱源の近くや直射日光の当たる場所には置かないでください。
- 機器が平らで安定した場所に設置されていることを確認してください。凹凸のある場所や不安定な場所に設置すると、モニターが落下して破損したり、人身事故を起こしたり、他の物を破損させたりすることがあります。
- 動作中、機器に触れるとわずかに温かくなるのは正常です。十分な換気を行い、動作中はデバイスを覆わないようにしてください。
- モニターの背面カバーにある通気孔を覆ったり塞いだりしないでください。ベッド、ソファ、毛布など、モニターが倒れたり、覆われたりする可能性がある場所で使用しないでください。
- 許容される電源電圧と周波数の範囲は、モニターの背面カバーのラベルに記載されています。この範囲外の電源に接続しないでください。
- 数週間から数か月間使用しない場合は、節電のため、また雷雨が発生した場合に雷雨による電力サージから機器を保護するために、電源を切断することをお勧めします。
- 損傷、火災、感電の恐れがあるため、モニターのカバーの通気孔に異物を入れないでください。
- モニターには、ユーザーによる修理が可能な部品はありません。この製品を分解したり、自分で修理しようとする、保証が無効になり、感電の危険性があります。本機の故障が疑われる場合は、購入した販売店またはALOGICアフターサービスにご相談ください。
- 本製品が破損した場合、接続された機器に損傷を与え、感電の危険性がありますので、使用しないでください。
- 電源コードを無理に押しつぶしたり、切ったり、引っ張ったり、ねじったりしないでください。電源コードが破損した場合は、交換用の電源コードを入手するまで製品を使用しないでください。損傷した電源コードを使用すると、感電する恐れがあります。
- モニターに液体を吹きかけないでください。モニターの表面に溶剤などの化学物質を使用しないでください。モニターの清掃は、清潔で乾燥した柔らかい、傷のつきにくいマイクロファイバー製の布で拭いてください。
- デバイスを分解したり、適切に使用・手入れをしなかったりすると、製品の保証が無効になります。
- ALOGICは、不適切な使用やお手入れの不足から生じるデバイスの損傷や付随的な損害について一切の責任を負わず、これらの状況におけるデバイスの修理/交換やその他の損害について責任を負いません。



ケーブル	⑥
ケーブル (リフト 4x)	⑦
ケーブル (電源 100-240V 50/60Hz)	⑧
電源	⑨
HDMIケーブル	⑩

1000:1	比率
100 x 100 mm	VESA 取り付け
FRONT 1.07B 8 色	色再現性
1x DP 1.4, 2x HDMI 2.0, 1x Type-C, 2x USB-A, 1x USB-B, 1x 音声	ポート
5Wx2 音声出力	音声
8 ミリメートル	厚さ
4 ミリメートル	重量
OGS	ガラス
10 MPP 2.0 色再現性	色再現性
低	消費電力
低	価格
USB PD 電源	電源

## 規格

①	規格
②	規格
③	規格
④	規格
⑤	規格

## 仕様

27"	画面サイズ
624 mm x 220 mm x 565 mm (高さ x 幅 x 厚さ)	寸法
7.6 キログラム	重量
ABS (ABS), 再生プラスチック	材質
19 フォット ( ) 7.89 フィート, 150 W (最大消費電力), 50/60 Hz (電源)	電源
16:9	縦横比
(QD)	パネルタイプ
350 流明 (タイプ), 320 流明 (タイプ)	輝度
IPS	パネルタイプ
"HDMI 2.0 (60 Hz), "Type-C (60 Hz), "Type-C (60 Hz)	ポート
60 Hz	リフレッシュレート
178 度 (視野角), 178 度 (視野角)	視野角



## توصيل الشاشة

توصيل كابل الطاقة

وَضَل كابل الطاقة المضمّن بموصل الطاقة، ثم وَضَل الطرف الأخر بمأخذ الحائط.

توصيل مصدر الفيديو

تتضمن الشاشة أربعة مداخل فيديو يمكن توصيلها في وقت واحد. لتوصيل حاسوب أو جهاز مصدر آخر، وَضَل أحد الكابلات المرفقة سواء (HDMI) أو "ديسبلاي بورت" (DisplayPort) أو يو.إس.بي-سي (USB-C) بالحاسوب وفي المنفذ المقابل على الشاشة.

ملحوظات:

- سيوفر اتصال يو.إس.بي-سي (USB-C) ما يصل إلى 65 واط من الطاقة لتجهيز الحاسوب التي تدعم تقنية الإمداد بالطاقة على وصلات يو.إس.بي (USB PD). يسمح هذا للحاسوب بمرض الفيديو على الشاشة أثناء الشحن بواسطة كابل واحد. نتيجة لذلك، يعد نوع اتصال يو.إس.بي-سي (USB-C) هو الخيار الأفضل إذا كان حاسوبك يتمتع بهذه الإمكانيّة.

- اعتماداً على إمكانيات الحاسوب، قد لا يُمكن توفير دقة صورة (4K) بمعدل تحديث كامل يبلغ 60 هرتز، عند توصيل الشاشة باستخدام كابل (HDMI). يجب استخدام اتصال يو.إس.بي-سي (USB-C) أو "ديسبلاي بورت" (DisplayPort) ليكونا التفضيل الأول إذا كان الحاسوب يدعم هذان النوعان من الاتصال.

- لا تدعم جميع منافذ يو.إس.بي-سي (USB-C) على الحواسيب إخراج الفيديو والشحن باستخدام يو.إس.بي-سي بتقنية بي-دي (USB PD) أو أيهما. إذا كان حاسوبك لا يمرض الفيديو على الشاشة أو لا يحدد الشحن عند توصيله بالشاشة باستخدام يو.إس.بي-سي (USB-C)، فتتحقق من أن منفذ يو.إس.بي-سي (USB-C) على الحاسوب يدعم إخراج فيديو "ديسبلاي بورت" بالوضع التبادلي (DisplayPort Alternate Mode) ودعم كذلك الشحن عبر تقنية الإمداد بالطاقة بواسطة يو.إس.بي (USB PD).

- لا تدعم كل كابلات يو.إس.بي-سي (USB-C) نقل الفيديو أو الشحن بقدرة تفوق 60 واط. يوصى باستخدام كابل يو.إس.بي-سي (USB-C) المرفق مع الشاشة لتجنب المشكلات المحتملة مع الكابلات الواردة من مصادر أخرى.

مخرج الصوت

الشاشة مزودة بمكبرات صوت مدمجة بالإضافة إلى مقيس إخراج الصوت للسماح بتوصيل سماعات الرأس ومكبرات الصوت الخارجية. عند توصيل جهاز صوت خارجي، ستغلق مكبرات الصوت الموجودة على الشاشة.

## فك الحزمة والتجميع



قبل إخراج الحامل من الصبوة، تأكد من وضع الصندوق على سطح مستو ونظيف.

- 1 امثع غطاء صندوق الشاشة، وأخرج درج الفلين العلوي الذي يحتوي على الحامل وضعه على أحد الجوانب.
- 2 امثع الحقيبة الناعمة التي تصمي الشاشة لتكشف عن مكان تثبيت الحامل بالجزء الخلفي من الشاشة. أزل الشاشة موضوعة داخل درج الفلين لتجنب إتلافها أثناء تركيب الحامل.
- 3 كن حذراً عند إزالة الشريط المطاطي الذي يثبت جذع الحامل القابل للطي في موضعه، حيث سيفتح الجذع بقوة مفاجئة.
- 4 أدخل ساق الحامل في القاعدة واستخدم المسامير الإبرام الموجود أسفل الحامل لتثبيته. قد تحتاج إلى تدوير الفرض الموجود أسفل الحامل لكشف المسامير اللولبية.
- 5 أدخل الحامل في شاشة العرض لتسمل، ثم ثبت بالمسامير الأربعة المتوفرة. شاشاتك جاهزة الآن للاستخدام.

تحذير: لا تضغط على منطقة العرض بالشاشة أثناء تجميع الشاشة أو تحريكها. شاشة العرض قابلة للكسر - سيؤدي الضغط عليها بقوة إلى كسرها.

احتفظ بصندوق الشاشة وعبوة الفلين لنقل الشاشة أو تخزينها في المستقبل.

تحذير: تأكد من استقرار الحامل في مكانه وإحداثه لصوت طقطقة قبل رفع الشاشة.

تحذير: تأكد من تثبيت البراغي بإحكام قبل حامل الرفع.

ملحوظة: نوصي باستخدام براغي M4 مفاص 12-15 مم إذا كانت هناك حاجة إلى عمليات استبدال.

## خيارات التثبيت



تحتوي الشاشة على فتحات تثبيت متباعدة مفاص 100 × 100 مم للسماح بتثبيتها على أي ذراع شاشة متوافق مع معايير (VESA) مفاص 100 مم أو ملحق تثبيت حائطي (غير مرفق).

تكون فتحات التثبيت عائرة في المنطقة الموجودة على الجزء الخلفي من الشاشة حيث يتم تثبيت الحامل، وتكون مخفية بواسطة الحامل عند تثبيته. لا يمكن استخدام حوامل من نوع (VESA) مع الشاشة أثناء توصيل الحامل.

مرفق مع الشاشة فواصل تثبيت ملولبة (M4)، ويجب استخدامها عند تثبيت الشاشة على ذراع الشاشة أو أي حامل آخر. يمكنك تثبيت الشاشة بملحق تثبيت متوافق مع معايير (VESA) على النحو التالي.

1. ضع الشاشة ووجهها لتسمل في درج التغليف الخاص بها من الفلين.

لا تحاول وضع الشاشة على أي سطح غير مستو بما في ذلك الأسطح الناعمة مثل السجاد والمقاعد أثناء تركيب ملحقات التثبيت - فقد يحدث ذلك تلفاً للشاشة.

2. حدد مكان فواصل التثبيت في حقيبة الملحقات التي تأتي مع الشاشة. مع وضع الشاشة في درج الفلين الخاصة بها، اربط الفواصل الأربعة في الفتحات الموجودة في التخفيف موضع تثبيت الحامل. لا تقرب في إحكام الربط - فقد يؤدي إحكام الربط المفرط على الفواصل إلى إلحاق الضرر بالشاشة.

3. اربط ملحق التثبيت المتوافق مع معايير (VESA) في فواصل التثبيت.

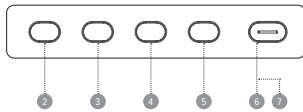
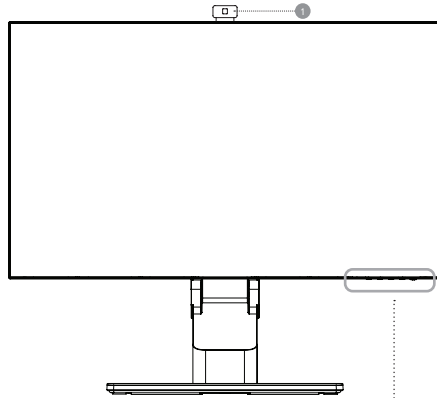
لا تضغط على الجزء الخلفي من الشاشة أثناء تركيب ملحقات التثبيت - فقد يؤدي الضغط على الشاشة لتسمل إلى تشققها أو إتلافها بأي شكل آخر.

4. ارفع الشاشة وملحقات التثبيت بحرص شديد خارج الدرج وضعهما في مكانهما النهائي.

تأكد من وجود خلوص بمقدار 50 مم حول جميع جوانب الشاشة عند تثبيتها لضمان عدم ارتفاع درجة حرارتها فوق الحد.

## عناصر التحكم بالشاشة

1	كاميرا ويب
2	القائمة الفرعية: اضغط لعرض قائمة العرض على الشاشة (OSD) وأدخل القوائم
3	أعلى/يسار: اضغط للتحرك لتعليق/الليبار في القوائم
4	أسفل/يمين: اضغط للتحرك لتسمل/اليمين في القوائم
5	الخروج: اضغط للخروج من قائمة العرض على الشاشة (OSD)
6	الطاقة: اضغط لتشغيل/إيقاف تشغيل الشاشة
7	مؤشر "إيد" ووزر الطاقة



## ضوء المؤشر

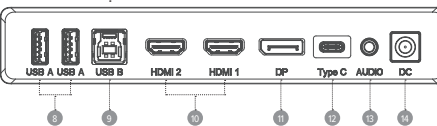
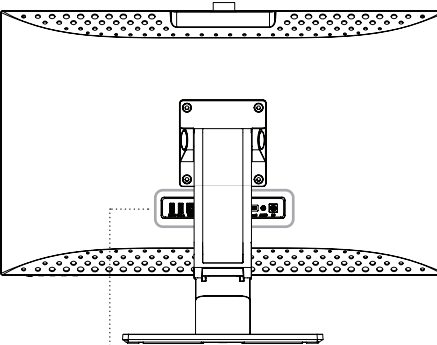
يضيء ضوء المؤشر باللون الأبيض الثابت للإشارة إلى تشغيل الطاقة وأن الشاشة تعمل بصورة طبيعية. يشير الضوء الأزرق الثابت إلى أنه لا يوجد مصدر فيديو، أو وجود إشارة غير صحيحة أو الكشف عن جهد منخفض. يرجى التأكد من تشغيل حاسوبك وأن جميع كابلات الفيديو موصولة بالكامل.

أبيض: تعمل بشكل طبيعي

أزرق: لا يوجد مصدر فيديو أو وجود إشارة غير صحيحة أو الكشف عن جهد منخفض

## منافذ الشاشة

8	منافذ يو.إس.بي-إيه (USB-A)
9	منفذ يو.إس.بي-بي (USB-B)
10	منافذ إتش.دي.إم.إي (HDMI)
11	منفذ عرض "ديسبلاي بورت" (Display Port)
12	منفذ يو.إس.بي-سي (USB-C)
13	إخراج الصوت لسماعات الرأس أو السماعات المتصلة بمصدر كهرباء
14	مداخل الطاقة





## استكشاف الأعطال وإصلاحها

العرض	الحل
لا يصفي زر الطاقة عند الضغط عليه	<ul style="list-style-type: none"> <li>تأكد من توصيل كابل الطاقة الرئيسي بإحكام بمحول الطاقة، ومن توصيله بمصدر الطاقة وتشغيل مداح التيار الكهربائي.</li> <li>تأكد من توصيل محوّل الطاقة توصيلًا محكمًا بالفاز الخلفي من الشاشة.</li> </ul>
زر الطاقة يصفي، ولكن لا تفرز الشاشة أي شيء.	<ul style="list-style-type: none"> <li>افصل محوّل الطاقة عن الشاشة وأعد توصيله في غضون 2-3 دقائق.</li> <li>امنع مع الاستمرار على زر الطاقة لمدة 10 ثوانٍ إعادة ضبط إعدادات الشاشة في شيء.</li> <li>الصل بدعم الواجهة (ALOGIC) إذا كانت الشاشة لا تعمل.</li> </ul>
لا تعرض الشاشة فيديو (HDMI) أو "حسبلي بورت" (DisplayPort) من الحاسوب	<ul style="list-style-type: none"> <li>تأكد من توصيل كابل الفيديو المناسب بين الحاسوب والشاشة ومن تحديد نوع الإدخال الصحيح على الشاشة.</li> <li>راجع إعدادات حاسوب للتحقق من أنه يكتشف الشاشة ويرسل مخبرات الفيديو إليها.</li> <li>تأكد من أن منفذ يو.إس.بي سي (USB-C) على حاسوب المتصل بالشاشة يدعم برامج الفيديو باستخدام وضع "حسبلي بورت" التبادلي (DP Alt Mode).</li> </ul>
لا يُشغّل الحاسوب المحمول عند توصيله بالشاشة باستخدام يو.إس.بي سي (USB-C)	<ul style="list-style-type: none"> <li>تتحقق من أن منفذ يو.إس.بي سي (USB-C) على حاسوب يدعم الشحن باستخدام معيار الومداد بالطاقة عبر وصلات يو.إس.بي سي (USB-PD).</li> <li>تتطلب بعض الحواسيب المحمولة طاقة تزيد عن 65 واط لتشغيلها. تكون هذه الأجهزة في الغالب حواسيب ذات فترات رسمية عالية الجودة ومتخصصة في الأعمال.</li> <li>إذا لزم الأمر، وفر محوّل الطاقة المرفق مع الحاسوب بحاسوب المحمول بالطاقة إلى كابل يو.إس.بي سي (USB-C) المتصل بالشاشة.</li> </ul>

## تحذيرات

- استخدم الشاشة في الأماكن المغلقة الجافة فقط. لا تستخدم الشاشة في الأماكن الرطبة أو بالقرب من مصادر المياه مثل الحمامات والمطابخ.
- يجب تخزين الشاشة واستخدامها في مكان بارد وجاف وبعيد التهوية. لا تعصفها بالقرب من مصادر الحرارة أو هي ضوء الشمس المباشر.
- تأكد من تثبيت الجهاز على سطح مستو وثابت. إذا تم وضع الجهاز على سطح غير مستو أو غير ثابت، فقد تسط الشاشة وتنتفخ أو تتسبب في إصابة شخصية أو تلف أشياء أخرى.
- من الطبيعي أن يكون الجهاز دافئًا قليلاً عند لمسها أثناء التشغيل. نصح بتوفير التهوية الكافية وعدم تغطية الجهاز أثناء التشغيل.
- ممنوع تغطية أو سد فتحات التهوية الموجودة على الغطاء الخلفي للشاشة. لا تستخدم الشاشة على سرير أو أريكة أو بطانية أو ما شابه ذلك حيث قد تتعرض للسقوط أو التغطية.
- يُوضّح الملصق الموجود على الغطاء الخلفي للشاشة الجهد الكهربائي المقبول ونطاقات التردد. لا توصل الشاشة بمصادر الطاقة التي تقع خارج هذه الحدود.
- في حالة عدم استخدام الجهاز لأسابيع أو شهور، يوصى بفصله عن مصدر الطاقة لتوفير الطاقة وحماية الجهاز من التلف الناتج عن الصواعق الناتجة عن زيادة الطاقة في حالة حدوث عاصفة عرعدية.
- ممنوع إدخال أي أجسام غريبة في فتحات التهوية الموجودة في غطاء الشاشة. فقد يحدث ذلك تلقًا أو يتسبب في نشوب حريق أو حدوث صدمة كهربائية.
- لا تحتوي الشاشة على أجزاء يمكن للمستخدم صيانتها. سيؤدي تفكيك هذا المنتج أو محاولة إصلاحه بنفسك إلى إبطال الضمان وعرضك لخطر الصدمة الكهربائية. إذا كنت تتلف في وجود عطل بالجهاز، فيرجى الاتصال باليافع الذي اشتريته منه المنتج أو خدمة ما بعد البيع بشركة "الوجيت" للحصول على المساعدة.
- لا تستخدم المنتج في حالة تلفه لأن ذلك قد يشكل خطر التسبب في تلف الأجهزة المتصلة ويضرصراط لخطر الصدمة الكهربائية.
- لا تسدّق أو تقطع أو تتسحب أو تلوي سلك الطاقة بشكل مفرط. في حالة تلف كابل الطاقة، لا تستخدم المنتج حتى يعكّن الحصول على كابل طاقة جديد. قد يؤدي استخدام كابل طاقة تالف إلى حدوث صدمة كهربائية.
- لا ترش السوائل على الشاشة. لا تستخدم مواد كيميائية مثل المبيضات على سطح الشاشة. يمكنك تنظيف الشاشة فقط عن طريق المسح بقطعة قماش من الألياف الصناعية الدقيقة فقط. من أن تكون نظيفة وجافة وناعمة ومقاومة للخدش.
- سيؤدي تفكيك الجهاز أو المشغل في استخدامه استخدامًا صحيحًا والعناية به إلى إبطال الضمان على المنتج.
- لا تتحمل الوجيت أي مسؤولية عن الأضرار التي لحقت بالجهاز أو الأضرار العرضية الناجمة عن الاستخدام غير السليم أو إهمال الصيانة وهي غير مسؤولة عن إصلاح الجهاز أو استبداله أو الضرر الذي ينشأ من هذه الظروف.

## إعداد كاميرا الويب

لاستخدام كاميرا الويب المدمجة، يجب توصيل الشاشة بحاسوب عبر منفذ يو.إس.بي سي (USB-C) أو يو.إس.بي سي (USB-B) الخاص بها.

بعد الاتصال، انتقل إلى مفتاح تحويل يو.إس.بي (USB Switch) في القائمة الفرعية يو.إس.بي "USB" بقائمة خيارات شاشةك وحدد إما النوع "بي" أو النوع "سي" (TYPE-C) أو (TYPE-B) اعتمادًا على الكابل الذي وصلته.

افتح أي برنامج يستخدم كاميرا الويب. ستنبثق الكاميرا تلقائيًا خارج الشاشة.

أ. قد تضطر إلى التبديل من كاميرا الويب المدمجة في الحاسوب المحمول إلى "27C4KPDWT".

## ضبط كاميرا الويب

- استخدم عجلة التمرير في الجزء الخلفي من كاميرا الويب لضبط الإبطار.
- استخدم قائمة إعدادات الحاسوب للتعديل إعدادات الصورة مثل السطوع والتباين :

- "ويندوز" (Windows): الإعدادات >> البيلوتوث والأجهزة >> الكاميرات >> 27C4KPDWT الشاشة.
- ب. نظام تشغيل "ماك" (macOS): لا يمكن ضبط إعدادات الصورة إلا عبر تطبيقات الطرف الثالث.
- ج. نظام تشغيل "كروم" (Chrome): لا يمكن تعديل إعدادات الصورة إلا على أساس كل تطبيق على حدة.

## طلي كاميرا الويب

ستطوي كاميرا الويب تلقائيًا عند عدم استخدامها من قبل أي برنامج.

أ. لا تحاول دفع كاميرا الويب بنفسك لتعود إلى الشاشة مرة أخرى، فقد يؤدي ذلك إلى إتلافها. ب. في حال عدم طي كاميرا الويب محالوظ فصلها وتوصيلها مرة أخرى.

العرض	الحل
حاسوبي لا يترصف على كاميرا الويب الخاصة بي	<ul style="list-style-type: none"> <li>حاول إعادة تشغيل حاسوبك</li> <li>انتقل إلى خيارات يو.إس.بي (USB) &lt;&lt; مع التحويل إلى وضع تشغيل يو.إس.بي (USB) في خاصية العرض على الشاشة (OSD) الخاصة بـ "كلاريتي برو" (Clarity Pro) وتأكد من أن نوع يو.إس.بي (USB) المختار هو النوع الذي تصل به بالفعل.</li> <li>حاول ترغ / فصل / إيقاف تشغيل كاميرات الويب الأخرى.</li> </ul>
كاميرا الويب الخاصة بي لا تتراقخ خارجة عن شاشةتي	<ul style="list-style-type: none"> <li>تأكد من اختيار كاميرا الويب المصممة "27C4KPDWT" في قائمة إعدادات الحاسوب.</li> <li>أعد لتفعيل التطبيق الذي تريد استخدام كاميرا الويب مهم.</li> </ul>
كاميرا الويب الخاصة بي لا تنظوي إلى شاشةتي	<ul style="list-style-type: none"> <li>حاول فصل الحاسوب عن الشاشة.</li> <li>حاول فتح وإغلاق أي تطبيق يستخدم كاميرا الويب.</li> </ul>

## استخدام شاشة اللمس

- لاستخدام شاشة اللمس: يجب توصيل الشاشة بحاسوب عبر منفذ يو.إس.بي سي (USB-C) أو يو.إس.بي سي (USB-B) الخاص بها.
- بعد الاتصال، انتقل إلى مفتاح تحويل يو.إس.بي (USB Switch) في القائمة الفرعية يو.إس.بي "USB" بقائمة خيارات شاشةك وحدد إما النوع "بي" أو النوع "سي" (TYPE-C) أو (TYPE-B) اعتمادًا على الكابل الذي وصلته.
- قم بتثبيت برامج تشغيل Clarity Pro Touch الخاصة بنا (راجع رموز QR في المسرد).
- يجب أن يترصف الكمبيوتر على شاشة اللمس تلقائيًا. إذا لم يكن كذلك، استشر قسم استكشاف الأخطاء وإصلاحها أدناه

العرض	الحل
لا يتفاعل حاسوبي مع شاشةتي	<ul style="list-style-type: none"> <li>افصل كابل يو.إس.بي سي (USB) عن الحاسوب وأعد توصيله.</li> <li>تأكد من اختيار كابل يو.إس.بي سي (USB) الصحيح في إعدادات شاشةك.</li> <li>أعد تشغيل الحاسوب</li> <li>اتصل بدعم "الوجيت" في حال عدم حل مشكلتك بواسطة الخطوات أعلاه.</li> </ul>

## توصيل الأجهزة ذات وصلات يو.إس.بي (USB) توصيل أجهزة الصوت

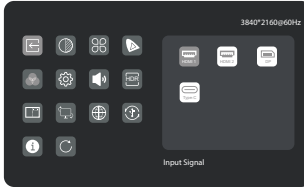
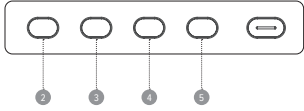
يدعم منفذ الصوت على الشاشة فقط أجهزة الإخراج مثل سماعات الرأس ومكبرات الصوت. لا يمكن توصيل الميكروفونات أو أجهزة الإدخال الأخرى بهذا المنفذ. يمكن توصيل سماعات الرأس المزودة بميكروفونات مدمجة بهذا المنفذ. لكن الميكروفون لن يعمل.

ليرسال صوت من حاسوبك إلى سماعات الشاشة أو جهاز الصوت المتصل بالحاسوب، اختر "27C4KPDWT" ليكون الواجهة الصوتية في إعدادات الصوت بحاسوبك.

ملفات ذات صلة:

- إذا كان الحاسوب متصلًا فقط بمنفذ يو.إس.بي سي (USB-C) على الشاشة، فستعمل المنافذ بسرعات يو.إس.بي سي (USB 2.0) لأن حركة بيانات الفيديو تشارك كابل يو.إس.بي سي (USB-C) مع بيانات يو.إس.بي سي (USB). هذه السرعة كافية لمعظم الأجهزة الطرفية مثل لوحات المفاتيح والفأرة ومكبرات الويب.

- إذا كان الحاسوب متصلًا بمنفذ يو.إس.بي سي (USB-B) على الشاشة، فستعمل المنافذ بسرعات يو.إس.بي سي (USB 3). يفضل هذا في حالة استخدام أجهزة تخزين عالية السرعة مثل مكبرات الأقراص الصلبة الخارجية ومكبرات أقراص يو.إس.بي سي (USB) المحمولة.



## وظائف قائمة العرض على الشاشة (OSD)

يتيح لك العرض على الشاشة (OSD) ضبط الإعدادات على شاشةك.

- اضغط **2** للدخول إلى قائمة العرض على الشاشة (OSD).
- اضغط **3** أو **4** لتصفح الوظائف.
  - اختر الوظيفة المطلوبة، ثم اضغط **2** للدخول إلى القائمة الفرعية.
  - اضغط **2** أو **4** لتصفح القوائم الفرعية ، ثم اضغط **2** لاختيار الوظيفة المطلوبة.
  - اضغط **2** أو **4** لاختيار أحد الخيارات، ثم اضغط **2** لتأكيد الإعدادات والخروج من الشاشة الحالية.
  - اضغط **2** للإلغاء أو العودة إلى القائمة السابقة.

3. اضغط **2** أو **4** لضبط الإعدادات، ثم اضغط **2** لتأكيد التغييرات والخروج.

السطوع / التباين	إشارة الإدخال
اضبط درجات السطوع وتوازن الظل والتباين.	التبديل بين مصادر إدخال الفيديو.
درجة حرارة اللون	إعدادات الصورة
اضبط درجة حرارة لون الشاشة بين دافئ وبارد وما يحدده المستخدم.	اضبط درجة تشبع صورة الشاشة والحدة ومستوى "جاما" (Gamma).
صورة داخل صورة (PIP)	(HDR)
يتيح وضع الصورة في الصورة (PIP) لـ "كلاريتي برو" (Clarity Pro) عرض الفيديو من مصدرين في وقت واحد. استخدم هذه القائمة لتحديد المصادر واختيار الطريقة التي ترغب في عرض الصورة من هذه المصادر بها. displayed.	يعمل على تمكين وضع (HDR) (النطاق الديناميكي العالي) على الشاشة. للحصول على ألوان أكثر إشراقًا. لا تدعم جميع الأجهزة والبرامج مخرجات (HDR). وقد تبدو الصورة شديدة السطوع عند تمكين هذا الخيار.
إعادة التعيين	اللغة
أعد ضبط شاشةك على إعدادات المصنع الافتراضية.	الصوت
	يمكنك كتم صوت سماعات الشاشة أو ضبط مستواها.
	ضبط لغة العرض على الشاشة (OSD).

## FCC Compliance Statement

This device complies with Part 15 of the FCC Rules. Operation is subject to the following two conditions:

- (1) this device may not cause harmful interference, and
- (2) this device must accept any interference received, including interference that may cause undesired operation.

CAN ICES-003 (B)/NMB-003(B)

Changes or modifications not expressly approved by the party responsible for compliance could void the user's authority to operate the equipment.

This equipment has been tested and found to comply with the limits for a Class B digital device, pursuant to Part 15 of the FCC Rules. These limits are designed to provide reasonable protection against harmful interference in a residential installation. This equipment generates, uses and can radiate radio frequency energy and, if not installed and used in accordance with the instructions, may cause harmful interference to radio communications. However, there is no guarantee that interference will not occur in a particular installation.

If this equipment does cause harmful interference to radio or television reception, which can be determined by turning the equipment of and on, the user is encouraged to try to correct the interference by one or more of the following measures:

- Reorient or relocate the receiving antenna.
- Increase the separation between the equipment and receiver.
- Connect the equipment into an outlet on a circuit different from that to which the receiver is connected.
- Consult the dealer or an experienced radio/TV technician for help.

Responsible Party - U.S. Contact Information

ALOGIC USA LLC  
37524 Marsten Dr,  
Newark CA 94560, USA

## EU Declaration of Conformity

Hereby, ALOGIC Corporation declares that this product is in compliance with Directive 2014/53/EU. The full text of the EU declaration of conformity is available at the following internet address by clicking on the Compliance Documentation link at: [www.alogic.co](http://www.alogic.co)

## Declaración de Cumplimiento FCC

Este dispositivo cumple con la Parte 15 de las Normas FCC. La operación está sujeta a las siguientes dos condiciones:

- (1) Este dispositivo puede no causar interferencias perjudiciales y
- (2) Este dispositivo debe aceptar cualquier interferencia recibida, incluidas las interferencias que puedan causar un FUNCIONAMIENTO NO DESEADO.

Cambios o modificaciones no expresamente aprobadas por la parte responsable de cumplimiento puede anular la autoridad del usuario para operar el equipo.

Este equipo ha sido probado y cumple los límites para un dispositivo digital Clase B, conforme a la Parte 15 de las Normas FCC. Estos límites están diseñados para proporcionar protección razonable contra interferencia dañina en una instalación residencial. Este equipo genera, usa y puede radiar energía de radio frecuencia y, si no es instalado y usado de acuerdo con las instrucciones, puede ocasionar interferencia dañina a las radiocomunicaciones. Sin embargo, no hay garantía que no ocurrirá interferencia en una instalación particular.

Si este equipo ocasiona interferencia dañina a la recepción de televisión o radio, la cual puede ser determinada encendiendo y apagando al equipo, el usuario es alentado a intentar corregir la interferencia por una o más de las siguientes medidas:

- Reoriente o reubique la antena receptora.
- Aumente la separación entre el equipo y el receptor.
- Conecte el equipo a un tomacorriente en un circuito diferente al cual el receptor está conectado.
- Consulte al distribuidor o a un técnico de TV/radio experimentado por ayuda.

Parte responsable - Información de contacto en Estados Unidos

ALOGIC USA LLC  
3730 Parish Ave  
Fremont CA 94536 USA

**HDMI**<sup>®</sup>  
HIGH-DEFINITION MULTIMEDIA INTERFACE

The terms HDMI and HDMI High-Definition Multimedia Interface, and the HDMI Logo are trademarks or registered trademarks of HDMI Licensing Administrator, Inc. in the United States and other countries.