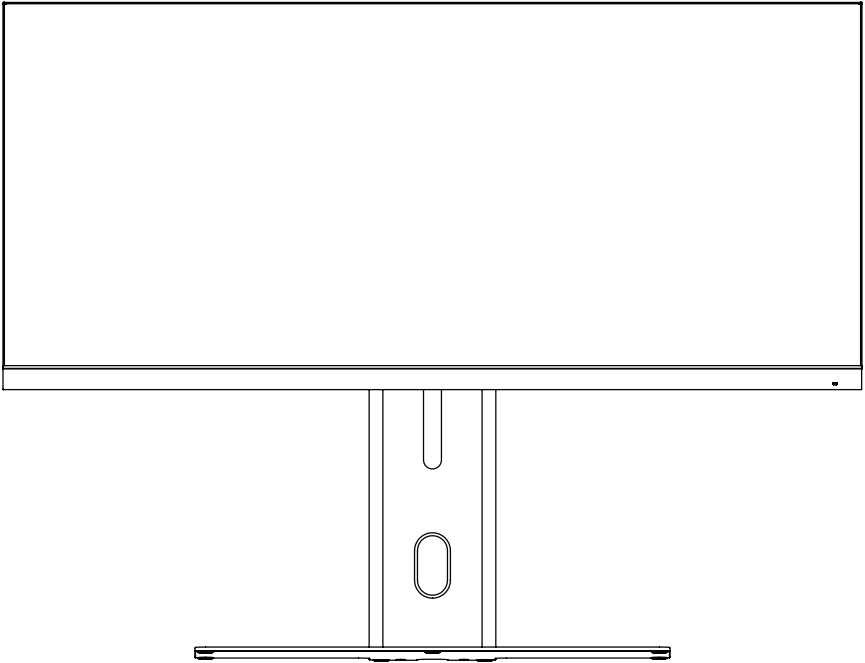


ALOGIC

Edge 5K

40" Ultrawide 5K2K Monitor



Quick Start Guide

Schnellstartanleitung

Guida Rapida

Guide de démarrage
rapide

Content

English	4
Deutsch	15
Español	26
Français.....	37

Quick Start Guide

Schnellstartanleitung

Guida Rapida

Guide de démarrage rapide

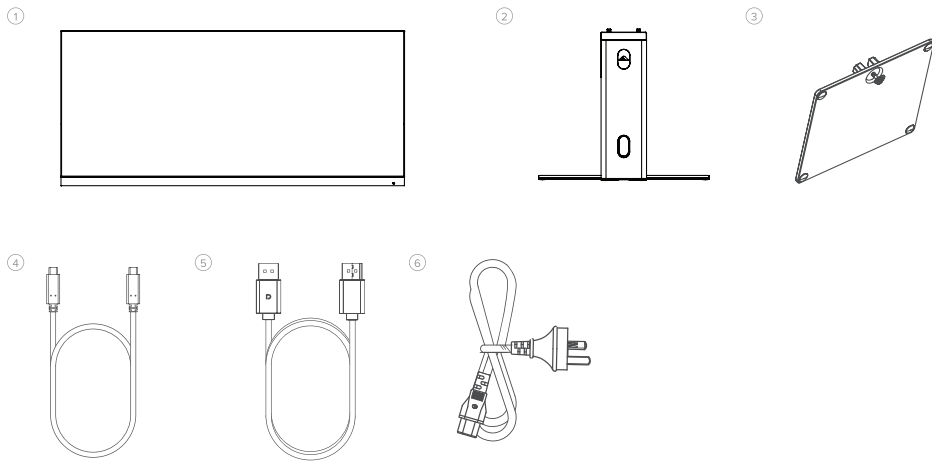


EN Setup and Troubleshooting

DE Einrichtung und Fehlerbehebung

ES Configuración y solución de problemas

FR Configuration et dépannage

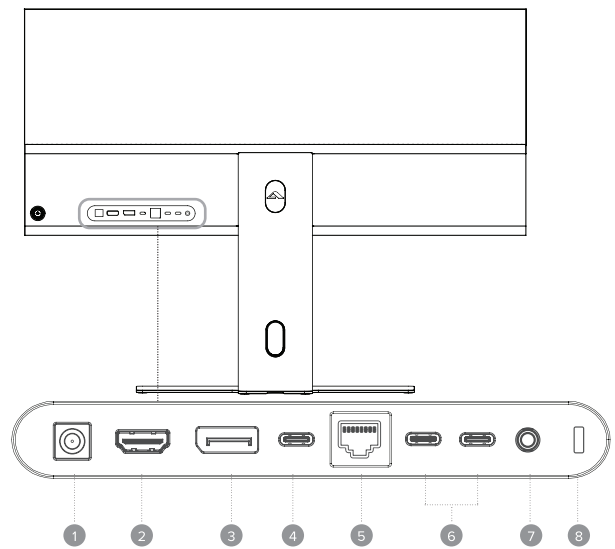


Package Contents

①	Edge 5K Monitor	④	USB-C Cable
②	Stand Stem	⑤	DisplayPort Cable
③	Stand Base	⑥	Power Adapter

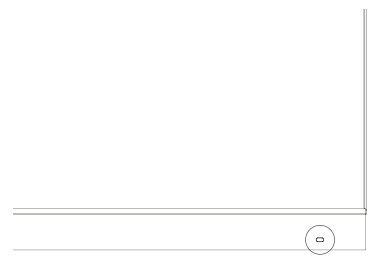
Specifications

Model	40C5KPD	Contrast Ratio	1,200:1
Dimensions	With Stand: 941 x 694 x 245mm Without Stand: 941 x 419 x 41mm	Panel Depth	8 Bit
Weight	With Stand: 11.61kg Without Stand: 7.46kg	Colour Accuracy	100% sRGB 100% DCI-P3 94% Adobe RGB
Material	Glass, Aluminium	PIP/PBP	Supported
Power Adapter	180W 24V/7.5A	Overdrive	Supported
Aspect Ratio	21:9	Speakers	3Wx2, 4Ω
Panel	IPS	Ethernet Port	Gigabit
Resolution	5120x2160	USB-C Laptop Charging	Up to 90W power
Refresh Rate	100Hz	HDMI	Version 2.0
Pixels Per Inch	138	DisplayPort	Version 1.4
Brightness	400 nits (Typical)	USB-C Ports	3.0 Gen 1 (Display Port) 2.0 (Accessory Ports)
Response Time (Grey to Grey)	14ms (5 ms with Overdrive)		



Monitor Ports

①	Power Input	Connect this to a wall outlet using the power supply included with Edge.
②	HDMI	Connects Edge to Video. Supports a maximum refresh rate of 30Hz at 5K resolution.
③	DisplayPort	Connects Edge to video.
④	USB-C (Display + PD)	The best way to connect Edge to your computer's video, and your computer to both 90W charging and accessories connected to Edge.
⑤	Ethernet (RJ45)	Can provide USB-C connected computers access to high-speed and secure, wired networking.
⑥	USB-C	Ports for connecting USB-C accessories to your computer, such as a mouse and keyboard. Requires your computer to be connected by USB-C.
⑦	3.5mm Audio	Connect to headphones or externally powered speakers. Does not support input from microphones.
⑧	Kensington Security Slot	Allows you to physically secure your monitor with any compatible Kensington Security Lock.



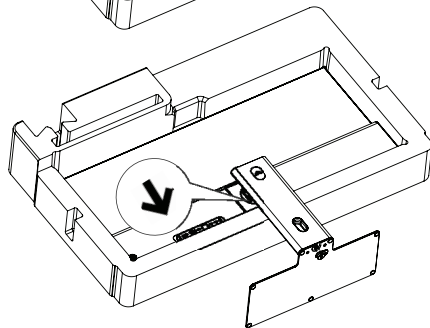
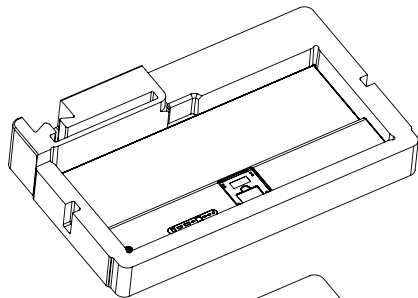
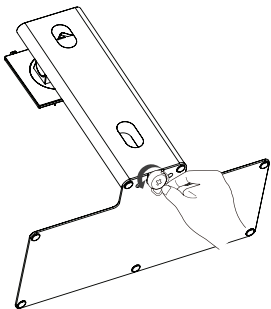
Indicator Light

Solid White		Powered On
Flashing White		No Signal Detected
No Light		Powered Off



Assembling the Monitor

- 1 Attach the Stand Stem to the Stand Base. Firmly attach the stem with the thumb screw on the bottom of the Stand Base.
- 2 If you're setting the monitor up for the first time, lift its travel bag to expose the mounting area, while leaving it in the protective foam. Otherwise, gently place the monitor screen-down on a flat surface.



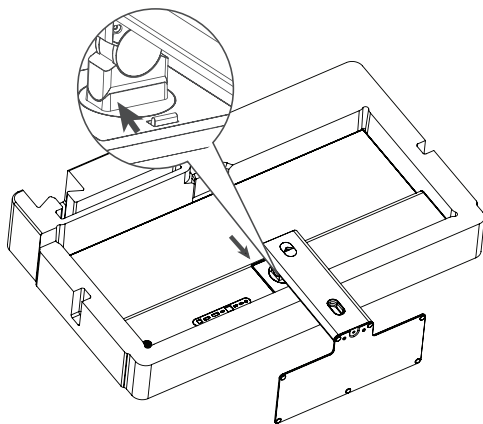
- 3 Carefully insert the stand into the back of the monitor, taking care to align the stand's tips with the notches in the monitor's mount. The stand will click into place when correct inserted.

⚠ WARNING!
This monitor has a heavy glass back. Remove with care to avoid damaging the monitor. We recommend removing the monitor from the packaging with the aid of another person.



Removing the Monitor from the Stand

- 1 Lay the monitor onto a flat surface, screen-down.
- 2 Lift the release lever on the stand's head.
- 3 Gently angle the stand upwards and pull backwards to remove.



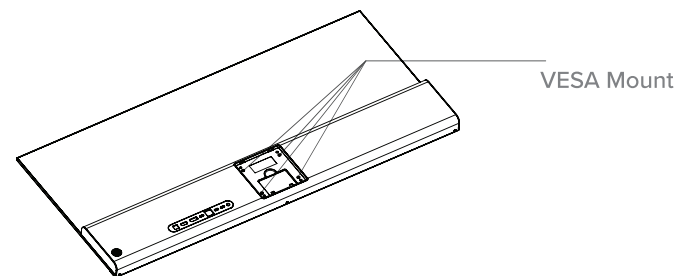
Attaching the Monitor to a VESA Mount

Edge has holes for four mounting screws in the rear mounting section, where its stand attaches.

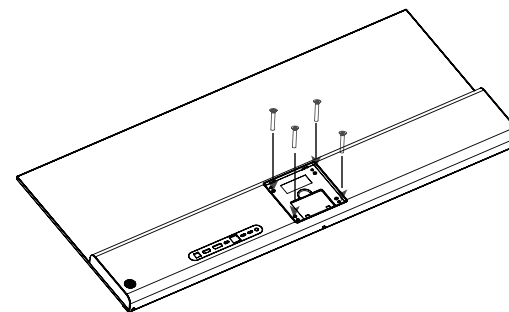
Edge is compatible with 100x100mm VESA mounts which can support its weight, although care should be taken as it is both unusually heavy and unusually wide for a monitor of its size, and may not work with all mounts that advertise as compatible with 34/40" monitors.

When connecting Edge to a third party mount, we recommend using 10mm M4 mounting screws. Using shorter screws may result in an insecure connection, while longer ones may damage Edge.

- 1 With the monitor disconnected from its stand, lay it screen-down on a flat surface.



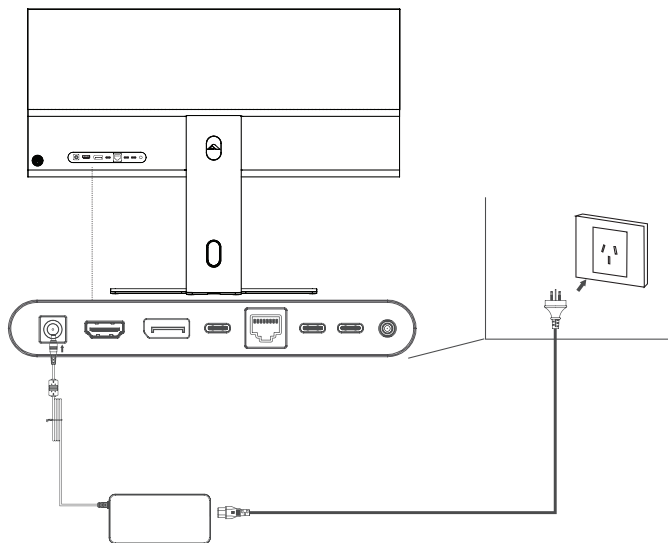
- 2 Follow the instructions of your 100x100mm compatible VESA mount, taking care not to over-tighten any mounting screws, which may damage your monitor.



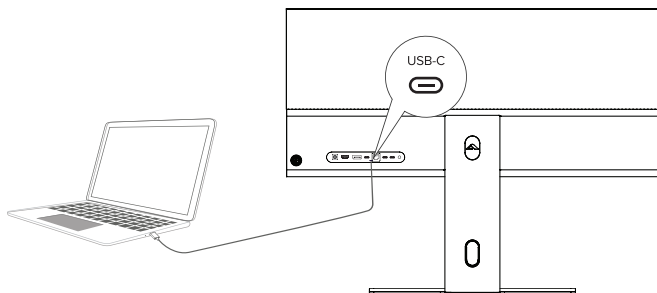


Connecting Your Monitor

First, connect Edge to a wall socket using the included power adapter and cable. Then press and hold in the joystick on the back of Edge to turn the monitor on or off.



We recommend connecting to Edge with the included USB-C cable if your computer has a USB-C port compatible with DisplayPort (DP) Alt Mode, as this will allow your computer to receive up to 90W charging as well as connect to Edge's Ethernet and USB-C Accessory Ports.



It can be difficult to tell if your computer has a DP Alt Mode compatible USB-C port. The most reliable way to figure out which USB-C ports are DP Alt Mode compatible is to check your computer's manual, or the manufacturer's webpage. They are sometimes marked with a screen or DisplayPort icon.

All Thunderbolt 3 and Thunderbolt 4 ports are compatible with DP Alt Mode and USB-C Power Delivery. All USB-C ports on modern MacBooks are either Thunderbolt 3 or 4.

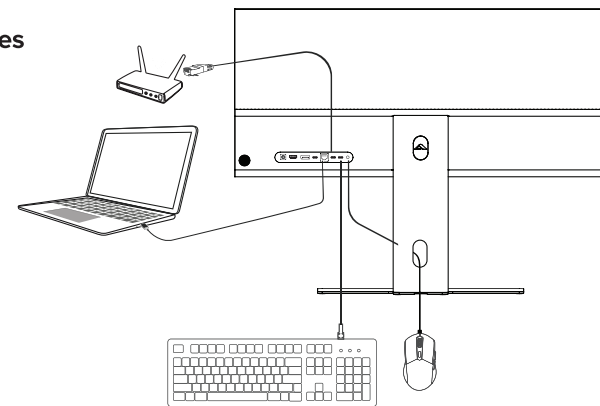
If your computer or device does not have a USB-C DP Alt Mode compatible port, we recommend connecting via the included DisplayPort cable. Note that when connecting via HDMI, the monitor's refresh rate will drop to 30Hz when using 5K resolutions due to bandwidth limitations.



Connecting to Accessories

When connected to Edge's 4 USB-C 3.0 Gen 1 (Display) port, your computer will automatically recognise any USB-C accessories connected to Edge's USB 2.0 (Accessory) ports.

We recommend using these ports for connecting peripherals like mice and keyboards, or data devices like external hard drives.

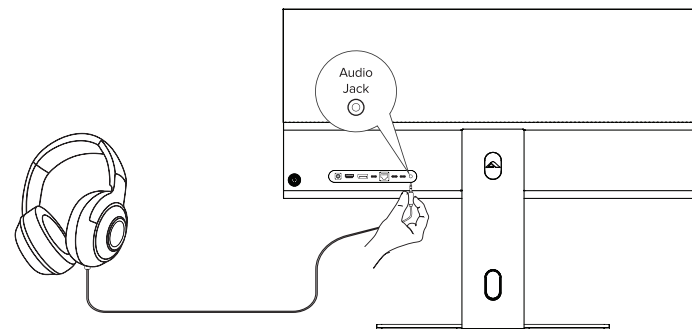


Audio and Edge

Edge has stereo speakers which can be used when it's connected to a video source via HDMI, DisplayPort or USB-C (DP Alt Mode). To do so, simply select 40C5KPD from your device's Settings -> Sound menu.

Additionally, Edge can send audio to a pair of headphones or (externally-powered) speakers connected to its 3.5mm Audio port. When an external audio device is connected, Edge's speakers will be disabled.

This 3.5mm Audio port cannot be used for audio in, like microphones.



Charging your Computer with Edge

Edge can charge USB-C connected computers at up to 90W. To do so, simply connect a Power Delivery (PD) compatible USB-C port to Edge's USB-C 3.0 Gen 1 (Display) port via the included cable.

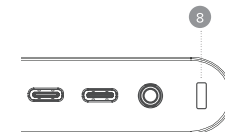
Not all USB-C ports are PD compatible. To check if yours is, look for a plug, battery or lightning icon. Many ports don't have icons, so we recommend checking the product manual or manufacturer's website to be sure. All Thunderbolt 3 and 4 ports are PD compatible.

The 90W power Edge supplies may not be enough to power some performance or gaming laptops when under high load.

Securing your Monitor

You can physically secure Edge by connecting its Kensington Security Slot 8 to any standard Kensington Lock.

Follow the instructions included with your lock to attach it.





Setting the Correct Resolution for Edge

If you're unsure, follow the steps below to ensure your computer is sending Edge the correct video feed.

Windows

1. Open "Settings" from the Windows Start Menu.
2. Navigate to "System" then "Display".
3. In the bottom left corner of the window showing the displays, ensure it's set to "Extend these Displays" and not "Duplicate these Displays".
 - a. Duplicating a non-ultrawide display onto Edge can result in visual glitches or distortions.
4. Ensure the resolution is set to "5120x2160".
5. In the same menu, adjust the "scale" until text is comfortable to read. Most people find 125% comfortable on Edge 5K.

Mac

1. Open your computer's "System Settings" menu (click on the Apple icon in the top left corner) and navigate to "Displays".
2. Click on your Edge monitor.
3. Make sure "Use as" is set to either "Main Display" or "Extended Display", not "Mirror".
 - a. Duplicating a non-ultrawide display onto Edge can result in visual glitches or distortions.
4. For maximum screen space, set the resolution to "5120x2160".
5. If text is too small at 5120x2160, we recommend changing the resolution to a lower value until it becomes comfortable (such as 2560x1080). This won't lower the resolution (detail) on the screen, it merely scales everything up.

If this does not resolve your display issue, please contact ALOGIC support (support@alogic.co).

How to Arrange Apps on Edge for Multitasking

On the latest versions of Windows, macOS and most versions of Linux, arranging two windows side by side is as easy as selecting and dragging an app or window to the edge of the screen, waiting until a translucent outline appears over half the screen, and releasing.

For more information on these features and advanced tips, consult Microsoft and Apple's official help pages.

Apple's App Tiling Guide



Microsoft's Windows Snapping Guide

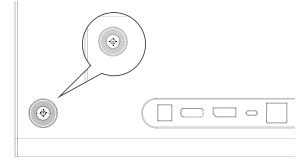


More complicated layouts can be set up and easily switched between using additional utilities, such as Microsoft's "PowerToys FancyZones" for Windows, or the "Rectangle" application on macOS, which are available via Google or other search engines.



Understanding Edge's Controls

- Press the joystick button to enter Edge's menu.
- Move the joystick to select the menu option you wish to adjust and click the joystick start adjusting, moving the joystick left and right to change the setting.
- Press the joystick in to save your changed value.
- Move the joystick left to exit the menu.

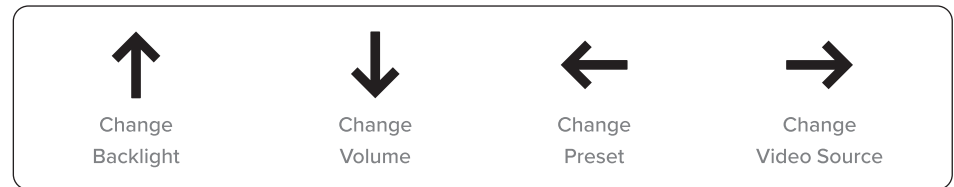


Powering Edge On and Off

- Press the joystick in and hold to turn the monitor on or off.

Shortcuts

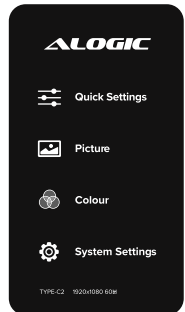
When no menu is open, you can move the joystick in the following direction to access commonly used settings.



Configuring Edge's Settings

Clarity's menu is divided into four sections for easy navigation.

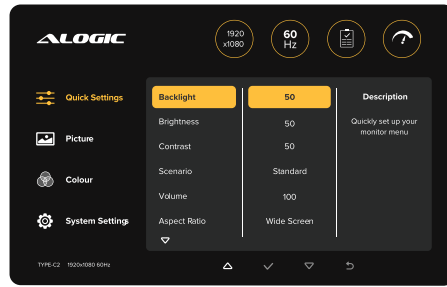
- **Quick Settings:** All of the monitor's most commonly adjusted features.
- **Picture:** Adjust non-colour settings that impact how your display looks.
- **Color:** Adjust the colour balance of your monitor.
- **System:** Adjust other monitor settings, such as Overdrive, Language and Sleep Mode.

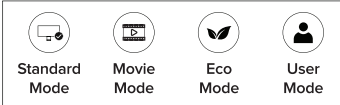




Quick Settings

- Move the joystick to scroll through functions.
- Press the joystick to adjust the selected function, and save your changes.

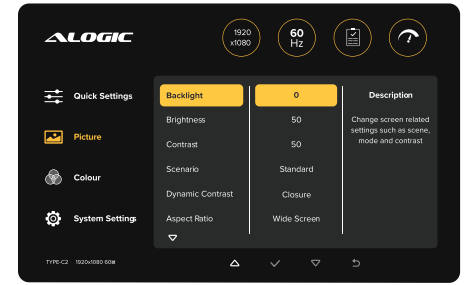


Menu	Description
Backlight	Adjusts the luminosity of the monitor's backlight. Increase for a brighter picture.
Brightness	Adjusts the details in the brighter parts of the image.
Contrast	Adjusts the visual detail in the darker areas of your picture. Setting the contrast too high can result in distorted colours in your monitor's brighter areas and reduced detail in the mid-tones.
Preset	Lets you select between preconfigured picture profiles.  - "Standard" is designed for general computer use, with a slightly warm colour balance and average contrast and brightness. - "Movie" increases the colour vibrancy and contrast to make pictures more impressive, but less accurate. - "ECO" reduces the brightness and other settings to save power. - "User" sets everything to neutral, so that you can adjust everything yourself.
Volume	Adjusts how loud your monitor's speakers are. Higher volumes may result in reduced audio quality.
Aspect Ratio	Allows you to specify your which aspect ratio your monitor should display the video signal in. This can be useful if it's not correctly detecting the video signal and is stretching the image.
Input	Allows you to specify whether you want the monitor's main input to display the signal from the HDMI, DisplayPort or USB-C port, or simply autodetect. This can be useful if the monitor isn't correct detecting your video source, or when using Picture in Picture modes.
Blue Light Shift	Allows you to reduce the blue light your monitor is outputting. This can reduce eye strain, especially in darker in environments, but results in a warmer image.
Adaptive Sync	Enables or Disables Adaptive Sync. While playing video games, this can be useful to prevent screen tearing and synchronisation related stuttering.



Picture Settings

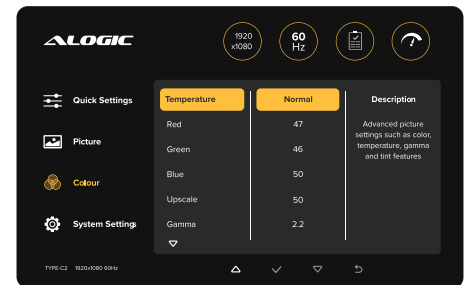
- Move the joystick to scroll through functions.
- Press the joystick to adjust the selected function, and save your changes.



Menu	Description
Backlight	See Quick Settings.
Brightness	See Quick Settings.
Contrast	See Quick Settings.
Preset	See Quick Settings.
DCR	This setting enables or disables the display's Dynamic Contrast, which changes brightness, and contrast values depending on what's on screen to produce a more visually impactful image, at the cost of visual accuracy. Note that while Dynamic Contrast is on, the preset settings are overridden.
Aspect Ratio	See Quick Settings.
Sharpness	Changes the way pixels render next to each other. Raising this setting can help make text and lines clearer, but can also introduce visual errors.
Multi-Window	This allows you to enable Picture by Picture (PBP) mode, where the monitor displays two video inputs (HDMI, DisplayPort or USB-C) side by side, or Picture in Picture mode (PIP) where a secondary video signal is shown on top of the main signal.
Secondary Input	With this option, you specify which other video input you'd like to use for PBP or PIP.
Multi Window Swap	Switches the main and sub window in multi-window mode.

Color Settings

- Move the joystick to scroll through functions.
- Press the joystick to adjust the selected function, and save your changes.

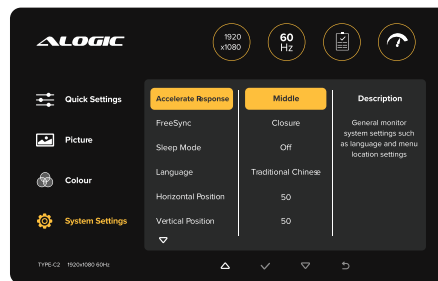




Menu	Description
Color Temp	These settings let you adjust the color temperature of your monitor, increasing or decreasing any of the colours to achieve different balances.
Warm	Emphasises red and yellow colours for a cozier feeling that can reduce eye strain.
Cool	Emphasises blue hues for colder, nighttime look. May increase eye strain.
Neutral (7500)	Balances colours to present a more true-to-life image.
User	Lets you manually adjust the monitor's balance of Red, Green and Blue (RGB).
Advanced	Requires "User" to be selected. Allows you to adjust the monitor's Cyan, Magenta and Yellow (CMY) balance in addition to RGB.
Gamma	Changes how smoothly the monitor's blacks transition into white.
Tint	Adjusts the monitor's colours.
Saturation	Adjusts the intensity of your monitor's colours.
Blue Light Shift	See Quick Settings.

System Settings

- Move the joystick to scroll through functions.
- Press the joystick to adjust the selected function, and save your changes.

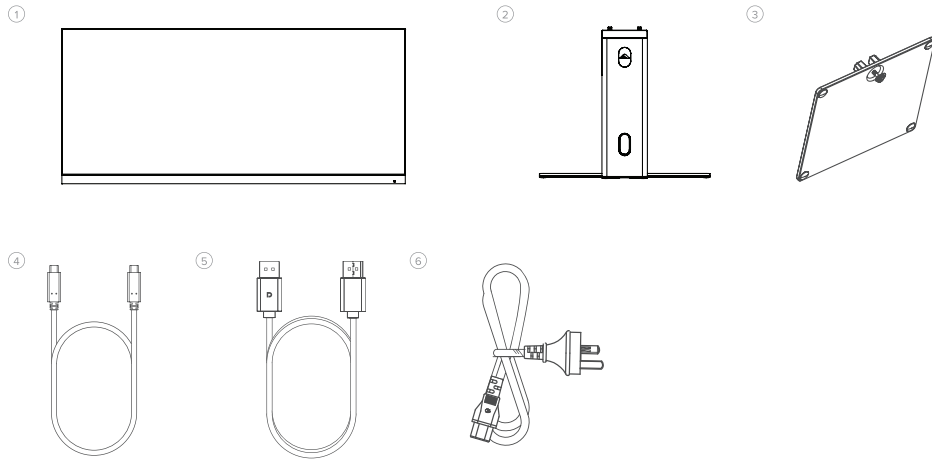


Menu	Description
Overdrive	Increases the response time of the monitor by sending additional voltage to the pixels. Can make playing games feel more responsive, but can introduce visual glitches such as ghosting.
Adaptive Sync	See Quick Settings.
HDR	Enables High Dynamic Range, a mode which can produce richer colours and contrasts when playing HDR enabled content. Must be enabled on your computer as well.
Sleep Mode	Change how long the monitor must be inactive for before it enters sleep mode.
Language	Change the language of the monitor's software.
OSD H Position	Change the horizontal position of the monitor's OSD menu.
OSD V Position	Change the vertical position of the monitor's OSD menu.
OSD Timer	Change the time it takes the OSD menu to disappear after inactivity.
OSD Transparency	Change the opacity of the OSD menu.
Volume	See Quick Settings.
Mute	Silences all audio output from the monitor.
Reset	Restores the monitor to ALOGIC's default settings.

Symptom	Solution
Edge does not turn on after power button pressed for six seconds.	<ul style="list-style-type: none"> • Verify that the mains power cord is securely attached to the power adapter, is connected to a power outlet and the power outlet is switched on. • Verify that the power adapter is securely connected to the rear of the monitor.
Monitor does not show HDMI or DisplayPort video from the computer	<ul style="list-style-type: none"> • Check that an appropriate video cable is connected between the computer and display and the correct input is selected on the monitor. • Check your computer's settings to verify that it is detecting the monitor and is outputting video to it.
Monitor does not show USB-C video from the computer	<ul style="list-style-type: none"> • Verify that you are using the USB-C cable that came with the monitor. • Check your computer's settings to verify that it is detecting the monitor and is outputting video to it. • Check that the USB-C port on your computer that the monitor is connected to supports video output using DisplayPort Alternate Mode (DP Alt. Mode).
Laptop computer does not charge when connected to the monitor using USB-C	<ul style="list-style-type: none"> • Verify that the USB-C port on your computer supports charging using the USB Power Delivery (USB-PD) standard. • Some laptops require more than 90W of power to charge. These tend to be high end graphics and gaming focused computers. • If necessary, connect the power adapter that came with the computer to your laptop in addition to the USB-C cable that is connected to the monitor.

Warnings

- Do not place the power cord next to a heat source.
- The power cord should be connected to a grounded wall socket.
- Use only the supplied power cord with this monitor.
- This monitor is designed for indoor use only.
- Keep packaging and components out of the reach of children, who may suffocate or choke on certain pieces.
- Do not use the monitor in areas prone to heat, smoke, dust or moisture.
- Set monitor down gently to avoid damaging glass.
- Only place the monitor on flat surfaces that can support its weight.
- Do not place in the monitor in a way that leaves any part overhanging the surface it's resting on to minimise the risk of fall.
- If the monitor makes unusual sound or you can smell burning, immediately disconnect the power cord and contact ALOGIC Support.

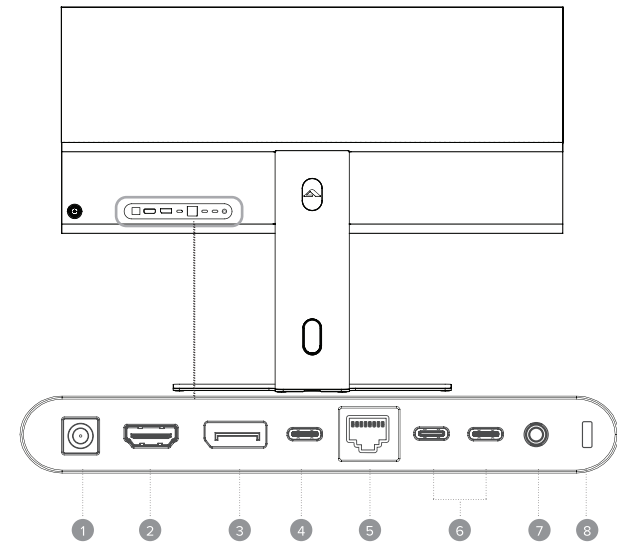


Packungsinhalt

①	Edge 5K Monitor	④	USB-C-Kabel
②	Ständerschaft	⑤	DisplayPort Kabel
③	Standfuß	⑥	Netzteil

Spezifikationen

Modell	40C5KPD	Kontrastverhältnis	1,200:1
Maße	Mit Ständer: 941 x 694 x 245 mm	Paneltiefe	8 Bit
	Ohne Ständer: 941 x 419 x 41mm	Farbgenauigkeit	100% sRGB 100% DCI-P3 94% Adobe RGB
Gewicht	Mit Ständer: 11,61 kg Ohne Ständer: 7,46 kg	PIP/PBP	Ja
Material	Glas, Aluminium	Overdrive	Ja
Netzteil	180 W 24 V/7,5 A	Lautsprecher	3 W x 2, 4 Ω
Seitenverhältnis	21:9	Ethernet Anschluss	Gigabit
Bedienfeld	IPS	Aufladen des Laptops über USB-C	Bis zu 90W Leistung
Auflösung	5120x2160	HDMI	Version 2.0
Aktualisierungsrate	100Hz	DisplayPort	Version 1.4
Pixel pro Zoll	138	USB-C-Anschlüsse	3.0 Gen 1 (Bildschirmanschluss) 2.0 (Zubehörschlüsse)
Helligkeit	400 Nits (typisch)		
Reaktionszeit (Grau zu Grau)	14ms (5ms mit Overdrive)		



Monitoranschlüsse

①	Stromeingang	Schließen Sie es mit dem im Lieferumfang von Edge enthaltenen Netzteil an eine Steckdose an.
②	HDMI	Verbindet Edge mit Video. Unterstützt eine maximale Bildwiederholfrequenz von 30 Hz bei 5K-Auflösung.
③	DisplayPort	Verbindet Edge mit Video.
④	USB-C (Anzeige + PD)	Dies ist die beste Möglichkeit, Edge mit dem Video Ihres Computers zu verbinden und Ihren Computer sowohl mit der 90-W-Aufladung als auch mit an Edge angeschlossenen Zubehör.
⑤	Ethernet (RJ45)	Kann über USB-C angeschlossenen Computern Zugriff auf ein schnelles und sicheres kabelgebundenes Netzwerk bieten.
⑥	USB-C	Anschlüsse zum Anschließen von USB-C-Zubehör an Ihren Computer, z. B. Maus und.
⑦	3,5-mm-Audio	Zum Anschluss von Kopfhörern oder extern betriebenen Lautsprechern. Unterstützt keine Eingabe von Mikrofonen.
⑧	Kensington Security Slot	Ermöglicht Ihnen, Ihren Monitor physisch mit jedem kompatiblen Kensington-Schloss zu sichern.

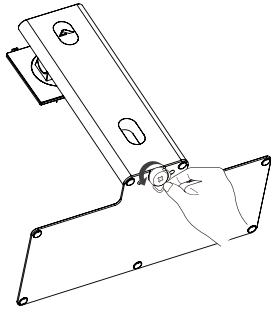
Kontrollleuchte

Durchgängig Weiß		Eingeschaltet
Weiß blinkend		Kein Signal erkannt
Kein Licht		Ausgeschaltet

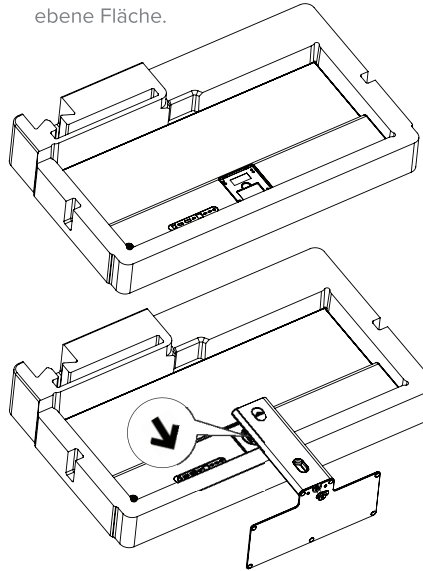


Zusammenbau des Monitors

1 Befestigen Sie den Ständerschaft an der Ständerbasis. Befestigen Sie den Schaft fest mit der Schraube an der Unterseite der Ständerbasis.



2 Wenn Sie den Monitor zum ersten Mal aufstellen, heben Sie die Transporttasche an, um den Montagebereich freizulegen, während Sie ihn im Schutzschaum belassen. Andernfalls legen Sie den Monitor vorsichtig mit dem Bildschirm nach unten auf eine ebene Fläche.



3 Setzen Sie den Ständer vorsichtig in die Rückseite des Monitors ein und achten Sie dabei darauf, dass die Spitzen des Ständers mit den Kerben in der Monitorhalterung übereinstimmen. Der Ständer rastet ein, wenn er richtig eingesetzt ist.

⚠️ WARNUNG!

Dieser Monitor verfügt über eine schwere Glasrückseite. Gehen Sie beim Entfernen vorsichtig vor, um eine Beschädigung des Monitors zu vermeiden. Wir empfehlen, den Monitor mit Hilfe einer zweiten Person aus der Verpackung zu nehmen.

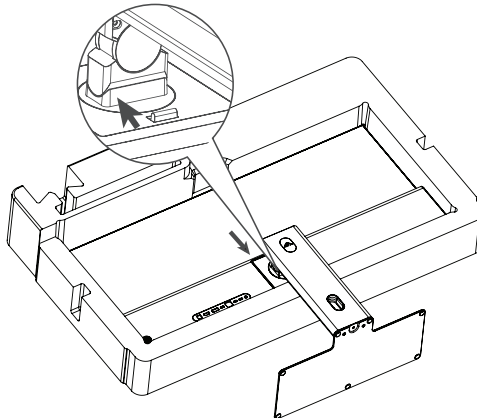


Abnehmen des Monitors vom Ständer

1 Legen Sie den Monitor mit dem Bildschirm nach unten auf eine flache Oberfläche.

2 Heben Sie den Entriegelungshebel am Kopf des Ständers an.

3 Neigen Sie den Ständer vorsichtig nach oben und ziehen Sie ihn nach unten, um ihn zu entfernen.



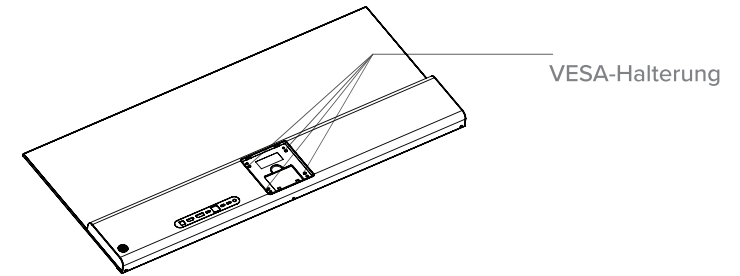
Befestigen des Monitors an einer VESA-Halterung

Edge verfügt im hinteren Montagebereich, wo der Ständer befestigt wird, über Löcher für vier Befestigungsschrauben.

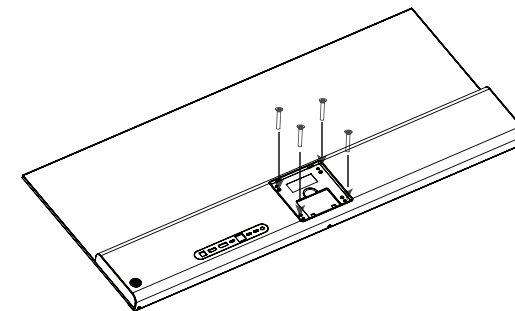
Edge ist mit 100 x 100 mm VESA-Halterungen kompatibel, die sein Gewicht tragen können. Allerdings ist Vorsicht geboten, da er für einen Monitor seiner Größe sowohl ungewöhnlich schwer als auch ungewöhnlich breit ist und möglicherweise nicht mit allen Halterungen funktioniert, die als kompatibel mit 34/40-Zoll-Monitoren angepriesen werden.

Wenn Sie Edge an eine Halterung eines Drittanbieters anschließen, empfehlen wir die Verwendung M4 10mm Befestigungsschrauben. Die Verwendung kürzerer Schrauben kann zu einer unsicheren Verbindung führen, während längere Schrauben Edge beschädigen können.

1 Nehmen Sie den Monitor vom Ständer ab und legen Sie ihn mit dem Bildschirm nach unten auf eine flache Oberfläche.



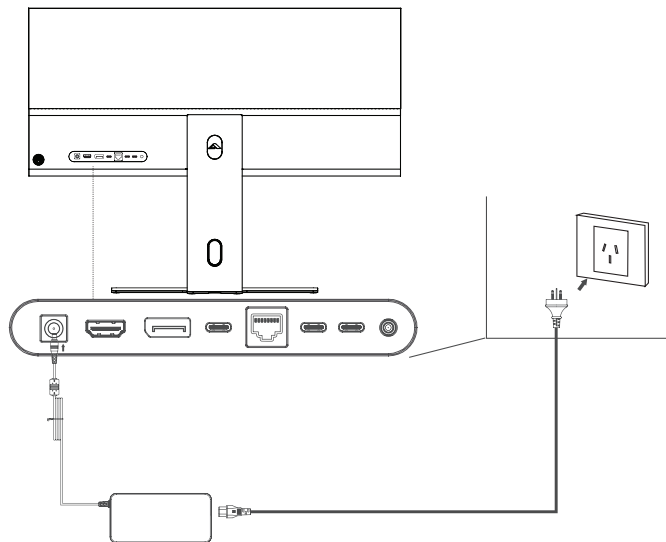
2 Befolgen Sie die Anweisungen für Ihre kompatible VESA-Halterung (100 x 100 mm) und achten Sie darauf, die Befestigungsschrauben nicht zu fest anzuziehen, da dies zu einer Beschädigung Ihres Monitors führen kann.



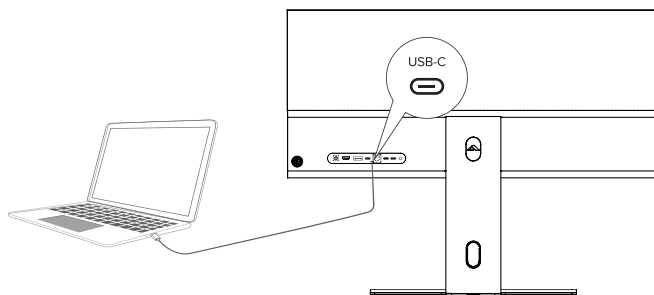


Anschließen Ihres Monitors

- Schließen Sie Edge zunächst mit dem mitgelieferten Netzteil und Kabel an eine Wandsteckdose an.
- Halten Sie dann den Joystick auf der Rückseite von Edge gedrückt, um den Monitor ein- oder auszuschalten.



Wir empfehlen, die Verbindung zu Edge über das mitgelieferte USB-C-Kabel herzustellen, wenn Ihr Computer über einen USB-C-Anschluss verfügt, der mit dem DisplayPort (DP) Alt-Modus kompatibel ist, da Ihr Computer hierdurch mit bis zu 90 W aufgeladen werden kann und außerdem eine Verbindung zu den Ethernet- und USB-C-Zubehöran Anschlüssen von Edge herstellen kann.



Es kann schwierig sein, festzustellen, ob Ihr Computer über einen DP Alt Mode-kompatiblen USB-C-Anschluss verfügt. Die zuverlässigste Methode, um herauszufinden, welche USB-C-Anschlüsse DP Alt Mode-kompatibel sind, ist, im Handbuch Ihres Computers oder auf der Webseite des Herstellers nachzuschauen. Sie sind manchmal mit einem Bildschirm- oder DisplayPort-Symbol gekennzeichnet.

Alle Thunderbolt 3- und Thunderbolt 4-Anschlüsse sind mit DP Alt Mode und USB-C Power Delivery kompatibel. Alle USB-C-Anschlüsse an modernen MacBooks sind entweder Thunderbolt 3 oder 4.

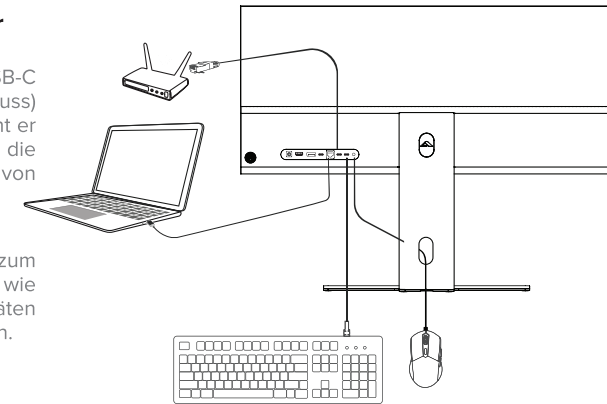
Wenn Ihr Computer oder Gerät nicht über einen USB-C DP Alt Mode-kompatiblen Anschluss verfügt, empfehlen wir die Verbindung über das mitgelieferte DisplayPort-Kabel. Beachten Sie, dass bei HDMI-Verbindung die Bildwiederholfrequenz des Monitors bei 5K-Auflösung aufgrund von Bandbreitenbeschränkungen auf 30 Hz sinkt.



Anschließen an Zubehör

Wenn Ihr Computer an den USB-C 3.0-Gen-1-Anschluss (Bildschirmanschluss) von Edge 4 angeschlossen ist, erkennt er automatisch alle USB-C-Zubehörteile, die an die USB 2.0-Anschlüsse (Zubehör) von Edge angeschlossen sind.

Wir empfehlen, diese Anschlüsse zum Anschließen von Peripheriegeräten wie Mäusen und Tastaturen oder Datengeräten wie externen Festplatten zu verwenden.

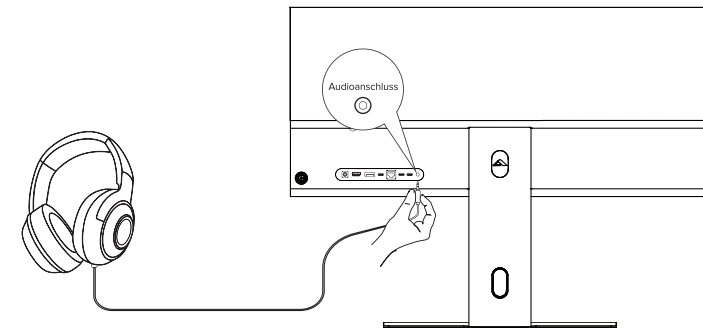


Audio und Edge

Edge verfügt über Stereolautsprecher, die verwendet werden können, wenn es über HDMI, DisplayPort oder USB-C (DP Alt Mode) an eine Videoquelle angeschlossen ist. Wählen Sie dazu einfach 40C5KPD im Menü „Einstellungen“ -> „Sound“ Ihres Geräts aus.

Darüber hinaus kann Edge Audio an Kopfhörer oder (extern mit Strom versorgte) Lautsprecher senden, die an den 3,5-mm-Audioanschluss angeschlossen sind. Wenn ein externes Audiogerät angeschlossen ist, werden die Lautsprecher von Edge deaktiviert.

Dieser 3,5-mm-Audioanschluss kann nicht für den Audioeingang (Mikrofone) verwendet werden.



Aufladen Ihres Computers mit Edge

Edge kann über USB-C angeschlossene Computer mit bis zu 90 W aufladen. Schließen Sie dazu einfach einen Power Delivery (PD)-kompatiblen USB-C-Anschluss über das mitgelieferte Kabel an den USB-C 3.0 Gen 1 (Bildschirm)-Anschluss von Edge an.

Nicht alle USB-C-Anschlüsse sind PD-kompatibel. Um zu prüfen, ob Ihr Anschluss PD-kompatibel ist, suchen Sie nach einem Stecker-, Batterie- oder Blitzsymbol. Viele Anschlüsse haben keine Symbole, daher empfehlen wir, zur Sicherheit das Produkthandbuch oder die Website des Herstellers zu überprüfen. Alle Thunderbolt 3- und 4-Anschlüsse sind PD-kompatibel.

Die 90-W-Netzteile von Edge reichen möglicherweise nicht aus, um einige Performance- oder Gaming-Laptops bei hoher Belastung mit Strom zu versorgen.

Monitor Sichern

Sie können Edge physisch sichern, indem Sie den 8 Kensington-Security Slot mit einem handelsüblichen Kensington-Schloss verbinden. Befolgen Sie zur Befestigung die Anweisungen im Lieferumfang Ihres Schlosses.





Einstellen der richtigen Auflösung für Edge

Wenn Sie sich nicht sicher sind, befolgen Sie die nachstehenden Schritte, um sicherzustellen, dass Ihr Computer Edge den richtigen Video-Feed sendet.

Windows

1. Öffnen Sie „Einstellungen“ über das Windows-Startmenü.
2. Navigieren Sie zu „System“ und dann zu „Anzeige“.
3. Stellen Sie in der unteren linken Ecke des Fensters, das die Anzeigen anzeigt, sicher, dass „Diese Anzeigen erweitern“ und nicht „Diese Anzeigen duplizieren“ eingestellt ist.
 - a. Das Duplizieren einer nicht ultrabreiten Anzeige auf Edge kann zu visuellen Störungen oder Verzerrungen führen.
4. Stellen Sie sicher, dass die Auflösung auf „5120 x 2160“ eingestellt ist.
5. Passen Sie im selben Menü die Skalierung an, bis der Text gut lesbar ist. Die meisten Nutzer finden 125 % auf dem Edge 5K angenehm.

Mac

1. Öffnen Sie das Menü „Systemeinstellungen“ Ihres Computers (klicken Sie auf das Apple-Symbol in der oberen linken Ecke) und navigieren Sie zu „Anzeigen“.
2. Klicken Sie auf Ihren Edge-Monitor.
3. Stellen Sie sicher, dass „Verwenden als“ entweder auf „Hauptanzeige“ oder „Erweiterte Anzeige“ eingestellt ist, nicht auf „Spiegeln“.
 - a. Das Duplizieren einer nicht ultrabreiten Anzeige auf Edge kann zu visuellen Störungen oder Verzerrungen führen.
4. Stellen Sie die Auflösung für maximalen Bildschirmplatz auf 5120 x 2160 ein.
5. Wenn der Text bei 5120 x 2160 zu klein ist, empfehlen wir, die Auflösung auf einen niedrigeren Wert zu ändern, bis er angenehm zu lesen ist (z. B. 2560 x 1080). Dadurch wird die Auflösung (Detail) auf dem Bildschirm nicht verringert, sondern lediglich alles vergrößert.

Wenn Ihr Anzeigeproblem dadurch nicht behoben wird, wenden Sie sich bitte an den ALOGIC-Support (support@alogic.co).

So ordnen Sie Apps auf Edge für Multitasking an

Unter den neuesten Versionen von Windows, macOS und den meisten Linux-Versionen ist das Anordnen von zwei Fenstern nebeneinander so einfach wie das Auswählen und Ziehen einer App oder eines Fensters an den Bildschirmrand, das Warten, bis ein durchscheinender Umriss über der Hälfte des Bildschirms erscheint, und das Loslassen.

Weitere Informationen zu diesen Funktionen und erweiterte Tipps finden Sie auf den offiziellen Hilfeseiten von Microsoft und Apple.

Apples App-Kachelungshandbuch (Englisch)



Microsofts Windows-Snapping-Handbuch (Englisch)

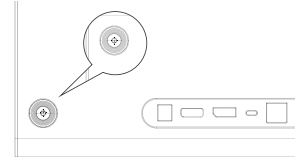


Komplexere Layouts können mithilfe zusätzlicher Dienstprogramme wie Microsofts „PowerToys FancyZones“ für Windows oder der Anwendung „Rectangle“ auf macOS eingerichtet und einfach zwischen ihnen gewechselt werden. Diese sind über Google oder andere Suchmaschinen verfügbar.



Die Bedienelemente von Edge verstehen

- Drücken Sie die Joystick-Taste, um das Edge-Menü aufzurufen.
- Bewegen Sie den Joystick, um die Menüoption auszuwählen, die Sie anpassen möchten, und klicken Sie auf den Joystick, um mit der Anpassung zu beginnen. Bewegen Sie den Joystick nach links und rechts, um die Einstellung zu ändern.
- Drücken Sie den Joystick, um den geänderten Wert zu speichern.
- Bewegen Sie den Joystick nach links, um das Menü zu verlassen.

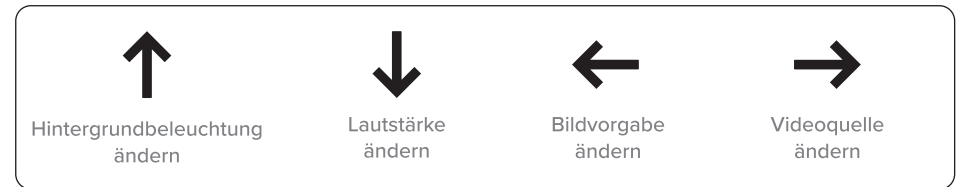


Edge ein- und ausschalten

- Drücken Sie den Joystick und , um den Monitor ein- oder auszuschalten.

Verknüpfungen

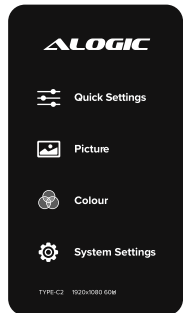
Wenn kein Menü geöffnet ist, können Sie den Joystick in die folgende Richtung bewegen, um auf häufig verwendete Einstellungen zuzugreifen.



Konfigurieren der Edge-Einstellungen

Das Menü von Edge ist zur einfachen Navigation in vier Abschnitte unterteilt.

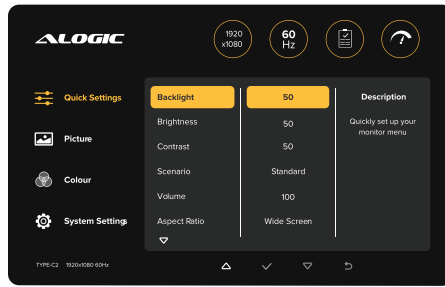
- Schnelleinstellungen: Alle am häufigsten angepassten Funktionen des Monitors.
- Bild: Passen Sie Nichtfarbeinstellungen an, die sich auf das Erscheinungsbild Ihres Displays auswirken.
- Farbe: Passen Sie die Farbbalance Ihres Monitors an.
- System: Passen Sie andere Monitoreinstellungen an, wie etwa Overdrive, Sprache und Ruhemodus.





Schnelleinstellungen

- Bewegen Sie den Joystick, um durch die Funktionen zu blättern.
- Drücken Sie den Joystick, um die ausgewählte Funktion anzupassen und Ihre Änderungen zu speichern.



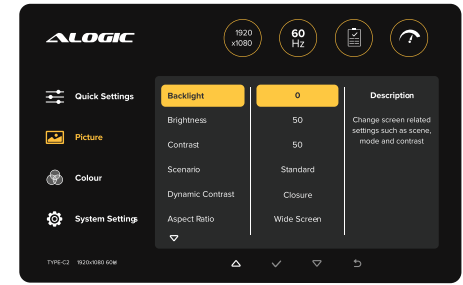
Menü	Beschreibung
Hintergrundbeleuchtung	Passt die Helligkeit der Hintergrundbeleuchtung des Monitors an. Erhöhen Sie den Wert für ein helleres Bild.
Helligkeit	Passt die Details in den helleren Teilen des Bildes an.
Kontrast	Passt die visuellen Details in den dunkleren Bereichen Ihres Bildes an. Wenn Sie den Kontrast zu hoch einstellen, kann dies zu verzerrten Farben in den helleren Bereichen Ihres Monitors und zu reduzierten Details in den Mittelönen führen.
Vorgabe	Ermöglicht Ihnen die Auswahl zwischen vorkonfigurierten Bildprofilen. <div data-bbox="276 638 617 742" data-label="Image"> </div> <ul style="list-style-type: none"> - “Standard Modus” Ist für die allgemeine Computernutzung konzipiert, mit einer leicht warmen Farbbalance und durchschnittlichem Kontrast und Helligkeit. - “Kino” Erhöht die Farbintensität und den Kontrast, um Bilder eindrucksvoller, aber weniger präzise zu machen. - “ECO” Reduziert die Helligkeit und andere Einstellungen, um Strom zu sparen. - “Benutzer” stellt alles auf neutral, sodass Sie das Bild selbst anpassen können.
Volumen	Passt die Lautstärke der Monitorlautsprecher an. Höhere Lautstärken können zu einer verringerten Tonqualität führen.
Seitenverhältnis	Hier können Sie festlegen, in welchem Seitenverhältnis Ihr Monitor das Videosignal anzeigen soll. Dies kann nützlich sein, wenn das Videosignal nicht richtig erkannt wird und das Bild gestreckt wird.
Quelle	Hier können Sie angeben, ob der Haupteingang des Monitors das Signal vom HDMI-, DisplayPort- oder USB-C-Anschluss anzeigen oder einfach automatisch erkennen soll. Dies kann nützlich sein, wenn der Monitor Ihre Videoquelle nicht richtig erkennt oder wenn Sie Bild-in-Bild-Modi verwenden.
Blaue Licht Reduzierung	Ermöglicht Ihnen, das von Ihrem Monitor abgegebene blaue Licht um bis zu 40 % zu reduzieren. Dies kann die Augenbelastung verringern, insbesondere in dunkleren Umgebungen, führt aber zu einem wärmeren Bild.
Adaptive Sync	Aktiviert oder deaktiviert Adaptive Sync. Beim Spielen von Videospielen kann dies nützlich sein, um Screen Tearing und synchronisationsbedingtes Stottern zu verhindern.

DE



Bildeinstellungen

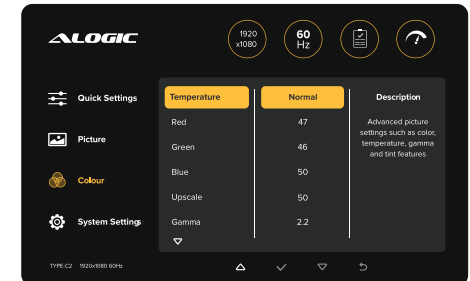
- Bewegen Sie den Joystick, um durch die Funktionen zu blättern.
- Drücken Sie den Joystick, um die ausgewählte Funktion anzupassen und Ihre Änderungen zu speichern.



Menü	Beschreibung
Hintergrundbeleuchtung	Siehe Schnelleinstellungen.
Helligkeit	Siehe Schnelleinstellungen.
Kontrast	Siehe Schnelleinstellungen.
Vorgabe	Siehe Schnelleinstellungen.
DCR	Mit dieser Einstellung aktivieren oder deaktivieren Sie den dynamischen Kontrast des Displays. Dieser ändert die Helligkeit und Kontrastwerte je nach Bildschirminhalt, um ein optisch eindrucksvolleres Bild zu erzeugen, allerdings auf Kosten der visuellen Genauigkeit. Beachten Sie, dass die voreingestellten Einstellungen überschrieben werden, wenn der dynamische Kontrast aktiviert ist.
Seitenverhältnis	Siehe Schnelleinstellungen.
Schärfe	Ändert die Art und Weise, wie Pixel nebeneinander dargestellt werden. Eine Erhöhung dieser Einstellung kann Text und Linien klarer darstellen, kann aber auch zu visuellen Fehlern führen.
Multi-Windows	Auf diese Weise können Sie den Bild-für-Bild-Modus (PBP) aktivieren, bei dem der Monitor zwei Videoeingänge (HDMI, DisplayPort oder USB-C) nebeneinander anzeigt, oder den Bild-in-Bild-Modus (PIP), bei dem ein sekundäres Videosignal über dem Hauptsignal angezeigt wird.
Sekundäreingang	Mit dieser Option geben Sie an, welchen anderen Videoeingang Sie für PBP oder PIP verwenden möchten.
Wechseln	Wechselt im Mehrfenstermodus zwischen Haupt- und Unterfenster.

Farbeinstellungen

- Bewegen Sie den Joystick, um durch die Funktionen zu blättern.
- Drücken Sie den Joystick, um die ausgewählte Funktion anzupassen und Ihre Änderungen zu speichern.

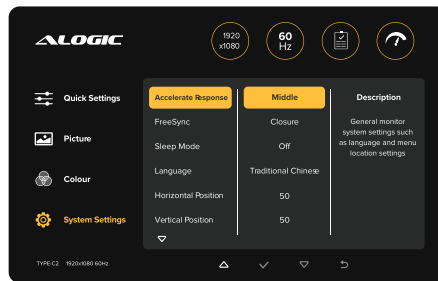




Menü	Beschreibung
Temperatur	Mit diesen Einstellungen können Sie die Farbtemperatur Ihres Monitors anpassen und die Farbe beliebig erhöhen oder verringern, um unterschiedliche Balancen zu erzielen.
Warm	Betont die roten und gelben Farben für ein behaglicheres Gefühl, das die Augen schonen kann.
Cool	Betont blaue Farbtöne für einen kälteren, nächtlichen Look. Kann die Augen stärker belasten.
Neutral (7500)	Gleicht die Farben aus, um ein naturgetreueres Bild darzustellen.
Benutzer	Hier können Sie die Rot-, Grün- und Blaubalance (RGB) des Monitors manuell anpassen.
Advanced	Hier muss „Benutzer“ ausgewählt sein. Hier können Sie zusätzlich zu RGB auch die Cyan, Magenta- und Gelbbalance (CMY) des Monitors anpassen.
Gamma	Ändert, wie sanft der Übergang von Schwarz zu Weiß auf dem Monitor erfolgt.
Tinte	Passt die Farbtemperatur der Weißwiedergabe des Monitors an.
Sättigung	Passt die Intensität der Farben Ihres Monitors an.
Blaue Licht Reduzierung	Siehe Schnellzugriff.

Systemeinstellungen

- Bewegen Sie den Joystick, um durch die Funktionen zu blättern.
- Drücken Sie den Joystick, um die ausgewählte Funktion anzupassen und Ihre Änderungen zu speichern.

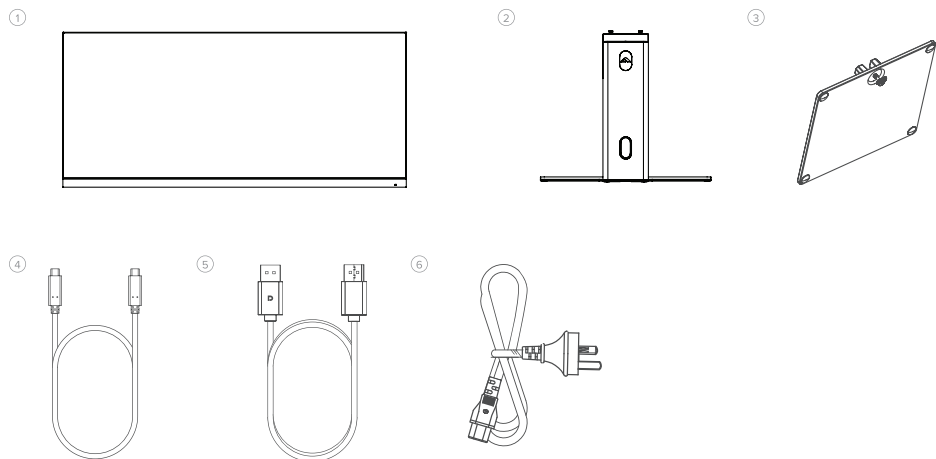


Menü	Beschreibung
Overdrive	Erhöht die Reaktionszeit des Monitors durch Senden zusätzlicher Spannung an die Pixel. Dies kann zu einer schnelleren Reaktionszeit beim Spielen führen, kann aber zu optischen Störungen wie Ghosting führen.
Adaptive Sync	Siehe Schnellzugriff.
HDR	Aktiviert High Dynamic Range, einen Modus, der bei der Wiedergabe von HDR-fähigen Inhalten sattere Farben und Kontraste erzeugen kann. Muss auch auf Ihrem Computer aktiviert sein.
Schlafmodus	Ändern Sie, wie lange der Monitor inaktiv sein muss, bevor er in den Ruhemodus wechselt.
Sprache	Ändern Sie die Sprache der Monitorsoftware.
Horizontale Position	Ändern Sie die horizontale Position des OSD-Menüs des Monitors.
Vertikale Position	Ändern Sie die vertikale Position des OSD-Menüs des Monitors.
OSD-Timer	Ändern Sie die Zeit, die das OSD-Menü benötigt, um nach Inaktivität zu verschwinden.
OSD-Transparenz	Ändern Sie die Deckkraft des OSD-Menüs.
Volumen	Siehe Schnellzugriff.
Stumm	Schaltet die gesamte Audioausgabe vom Monitor stumm.
Zurücksetzen	Stellt die Standardeinstellungen des Monitors von ALOGIC wieder her.

Symptom	Lösung
Edge lässt sich nicht einschalten, nachdem der Netzschalter sechs Sekunden lang gedrückt wurde.	<ul style="list-style-type: none"> • Vergewissern Sie sich, dass das Netzkabel fest mit dem Netzteil verbunden ist, an eine Steckdose angeschlossen ist und die Steckdose eingeschaltet ist. • Stellen Sie sicher, dass das Netzteil fest an der Rückseite des Monitors angeschlossen ist.
Der Monitor zeigt kein HDMI- oder DisplayPort-Video vom Computer an	<ul style="list-style-type: none"> • Überprüfen Sie, ob zwischen Computer und Anzeige ein geeignetes Videokabel angeschlossen ist und am Monitor der richtige Eingang ausgewählt ist. • Überprüfen Sie die Einstellungen Ihres Computers, um sicherzustellen, dass er den Monitor erkennt und Videosignale an ihn ausgibt.
Der Monitor zeigt kein USB-C-Video vom Computer an	<ul style="list-style-type: none"> • Stellen Sie sicher, dass Sie das USB-C-Kabel verwenden, das mit dem Monitor mitgeliefert wurde. • Überprüfen Sie die Einstellungen Ihres Computers, um sicherzustellen, dass er den Monitor erkennt und Videodaten an ihn ausgibt. • Überprüfen Sie, ob der USB-C-Anschluss Ihres Computers, an den der Monitor angeschlossen ist, die Videoausgabe im DisplayPort Alternate Mode (DP Alt. Mode) unterstützt.
Der Laptop wird nicht aufgeladen, wenn er über USB-C an den Monitor angeschlossen ist	<ul style="list-style-type: none"> • Überprüfen Sie, ob der USB-C-Anschluss Ihres Computers das Laden mit dem USB Power Delivery-Standard (USB-PD) unterstützt. • Manche Laptops benötigen zum Laden mehr als 90 W Leistung. Dabei handelt es sich in der Regel um High-End-Grafik- und Gaming-Computer. • Schließen Sie bei Bedarf zusätzlich zum USB-C-Kabel, das am Monitor angeschlossen ist, auch das mit dem Computer mitgelieferte Netzteil an Ihrem Laptop an.

Warnhinweise

- Verlegen Sie das Netzkabel nicht in der Nähe einer Wärmequelle.
- Das Netzkabel muss an eine geerdete Wandsteckdose angeschlossen werden.
- Verwenden Sie mit diesem Monitor nur das mitgelieferte Netzkabel.
- Dieser Monitor ist nur für die Verwendung in Innenräumen vorgesehen.
- Bewahren Sie Verpackung und Komponenten außerhalb der Reichweite von Kindern auf. Bei bestimmten Teilen besteht Erstickungsgefahr.
- Verwenden Sie den Monitor nicht in Bereichen, in denen Hitze, Rauch, Staub oder Feuchtigkeit auftreten.
- Stellen Sie den Monitor vorsichtig ab, um eine Beschädigung des Glases zu vermeiden.
- Stellen Sie den Monitor nur auf ebene Flächen, die sein Gewicht tragen können. Aufgrund des überdurchschnittlich hohen Gewichts dieses Monitors empfehlen wir, besonders darauf zu achten, dass die Fläche nicht geneigt ist.
- Um das Sturzrisiko zu minimieren, platzieren Sie den Monitor nicht so, dass ein Teil über die Oberfläche hinausragt, auf der er steht.
- Wenn der Monitor ungewöhnliche Geräusche macht oder Sie Brandgeruch wahrnehmen, ziehen Sie sofort das Netzkabel ab und wenden Sie sich an den ALOGIC-Support.

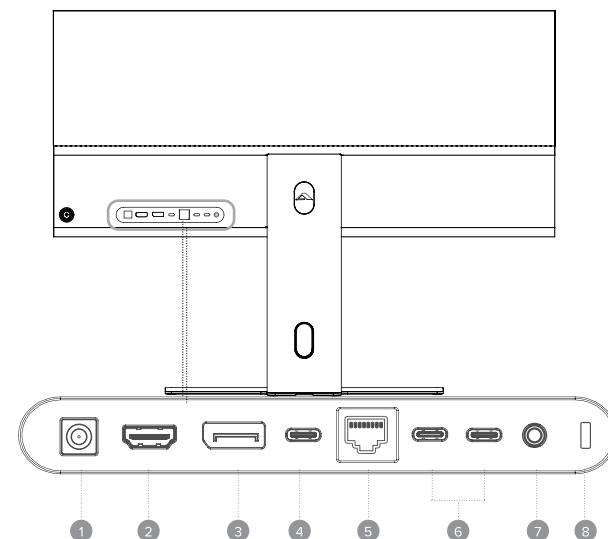


Contenidos del paquete

①	Edge Monitor	④	Cable USB-C
②	Vástago del soporte	⑤	Cable DisplayPort
③	Base del soporte	⑥	Adaptador de corriente

Especificaciones

Modelo	40C5KPD	Relación de contraste	1,200:1
Dimensiones	Con soporte: 941 x 694 x 245mm Sin soporte: 941 x 419 x 41mm	Profundidad del panel	8 Bit
Peso	Con soporte: 11,61 kg Sin soporte: 7,46 kg	Precisión del color	100% sRGB 100% DCI-P3 94% Adobe RGB
Material	Vidrio, Aluminio	PIP/PBP	Sí
Adaptador de corriente	180W 24V/7.5A	Overdrive	Sí
Relación de aspecto	21:9	Altavoces	3Wx2, 4Q
Panel	IPS	Puerto Ethernet	Gigabits
Resolución	5120x2160	Carga de computadora portátil USB-C	Hasta 90W de potencia
Frecuencia de actualización	100Hz	HDMI	Versión 2.0
Píxeles por pulgada	138	DisplayPort	Version 1.4
Brillo	400 liendres (típica)	Puertos USB-C	3.0 Gen 1 (Puerto de pantalla) 2.0 (Puertos de accesorios)
Tiempo de respuesta (gris a gris)	14ms (5ms con Overdrive)		



Puertos del Monitor

①	Entrada de alimentación	Conéctelo a un tomacorriente de pared usando la fuente de alimentación incluida con Edge.
②	HDMI	Conecta Edge al vídeo. Admite una frecuencia de actualización máxima de 30 Hz con una resolución de 5K.
③	DisplayPort	Conecta Edge al vídeo.
④	USB-C (Pantalla + PD)	La mejor manera de conectar Edge al vídeo de tu computadora, y tu computadora tanto a la carga de 90W como a los accesorios conectados a Edge.
⑤	Ethernet (RJ45)	Puede proporcionar a las computadoras conectadas por USB-C acceso a redes cableadas seguras y de alta velocidad.
⑥	USB-C	Puertos para conectar accesorios USB-C a su computadora, como un mouse y un teclado. Requiere que su computadora esté conectada mediante USB-C (Puerto de pantalla).
⑦	Audio de 3,5 mm	Conéctelo a auriculares o parlantes con alimentación externa. No admite entrada de micrófonos.
⑧	Kensington Security Slot	Le permite asegurar físicamente su monitor con cualquier bloqueo Kensington compatible.

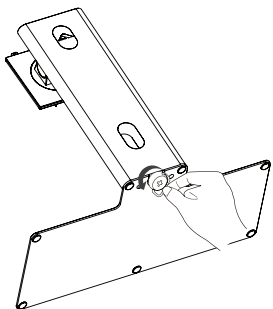
Luz indicadora

Blanco sólido		Encendido
Blanco intermitente		Ninguna señal detectada
Sin luz		Apagado

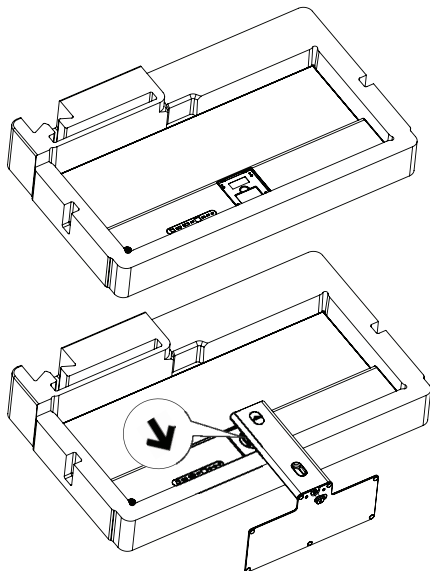


Montaje del monitor

- 1 Conecte el vástago del soporte a la base del soporte. Fije firmemente el vástago con el tornillo de mariposa situado en la parte inferior de la base del soporte.



- 2 Si está configurando el monitor por primera vez, levante su bolsa de viaje para exponer el área de montaje, mientras lo deja en la espuma protectora. De lo contrario, coloque suavemente la pantalla del monitor hacia abajo sobre una superficie plana.



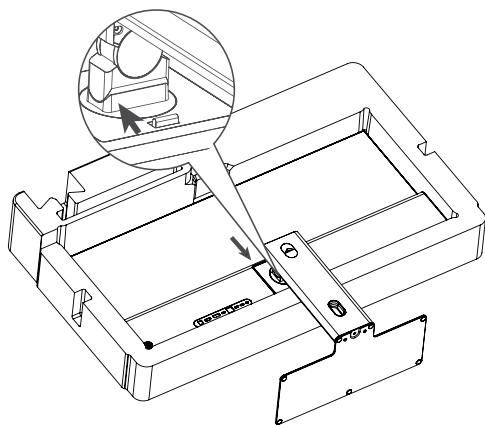
- 3 Inserte con cuidado el soporte en la parte posterior del monitor, teniendo cuidado de alinear las puntas del soporte con las muescas en el soporte del monitor. El soporte encajará en su lugar cuando se inserte correctamente.

⚠ ADVERTENCIA!
Este monitor tiene una parte trasera de cristal pesado. Retírelo con cuidado para evitar dañar el monitor. Recomendamos sacar el monitor del embalaje con la ayuda de otra persona.



Quitar el monitor del soporte

- 1 Coloque el monitor sobre una superficie plana, con la pantalla hacia abajo.
- 2 Levante la palanca de liberación en la cabeza del soporte.
- 3 Incline suavemente el soporte hacia arriba y tire hacia abajo para retirarlo.



ES



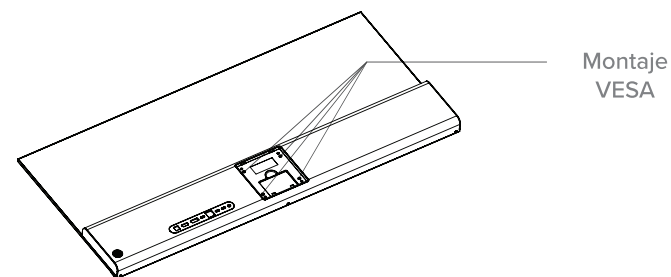
Conexión del monitor a un soporte VESA

Edge tiene orificios para cuatro tornillos de montaje en la sección de montaje trasera, donde se fija su soporte.

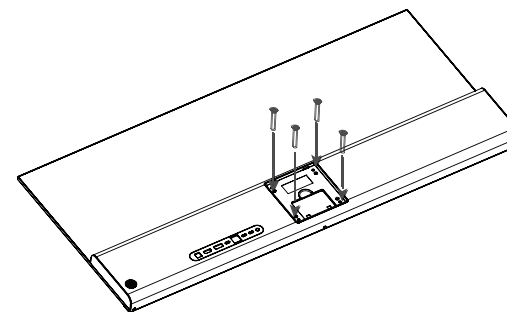
Edge es compatible con soportes VESA de 100x100 mm que pueden soportar su peso, aunque se debe tener cuidado ya que es inusualmente pesado y ancho para un monitor de su tamaño, y es posible que no funcione con todos los soportes que se anuncian como compatibles con 34/40" monitores.

Al conectar Edge a un soporte de terceros, recomendamos utilizar los tornillos de montaje M4 10mm. El uso de tornillos más cortos puede provocar una conexión insegura, mientras que los más largos pueden dañar Edge.

- 1 Con el monitor desconectado de su soporte, colóquelo con la pantalla hacia abajo sobre una superficie plana.



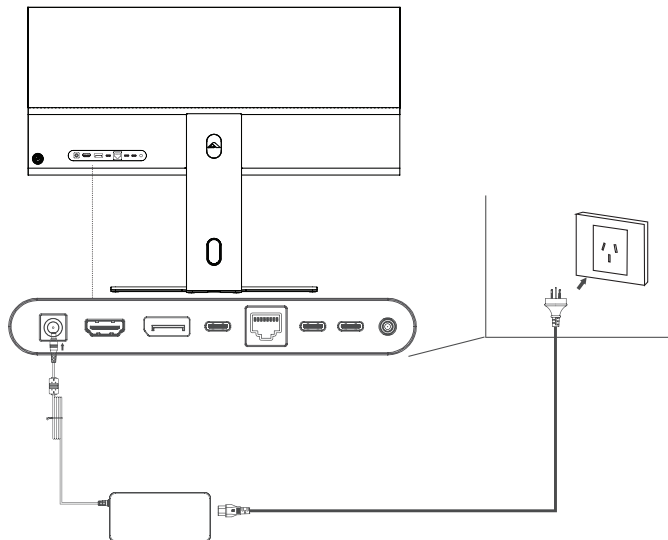
- 2 Siga las instrucciones de su soporte VESA compatible de 100x100 mm, teniendo cuidado de no apretar demasiado los tornillos de montaje, lo que podría dañar su monitor.



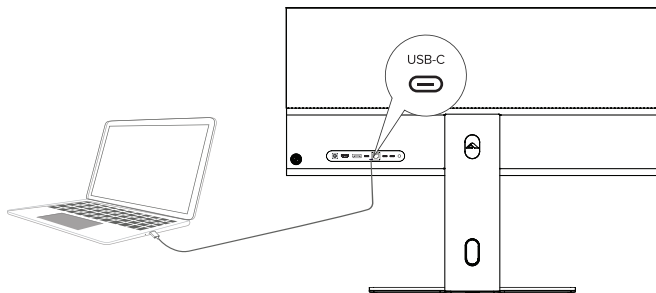


Conexión de su monitor

- Primero, conecte Edge a un enchufe de pared utilizando el cable y el adaptador de corriente incluidos.
- Luego, mantenga presionado el joystick en la parte posterior de Edge para encender o apagar el monitor.



Recomendamos conectarse a Edge con el cable USB-C incluido si su computadora tiene un puerto USB-C compatible con el modo alternativo DisplayPort (DP), ya que esto permitirá que su computadora reciba una carga de hasta 90 W, así como también se conecte a Ethernet y Puertos para accesorios USB-C.



Puede resultar difícil saber si su computadora tiene un puerto USB-C compatible con el modo DP Alt. La forma más confiable de determinar qué puertos USB-C son compatibles con el modo DP Alt es consultar el manual de su computadora o la página web del fabricante. A veces están marcados con una pantalla o un icono DisplayPort.

Todos los puertos Thunderbolt 3 y Thunderbolt 4 son compatibles con DP Alt Mode y USB-C Power Delivery. Todos los puertos USB-C de las MacBooks modernas son Thunderbolt 3 o 4.

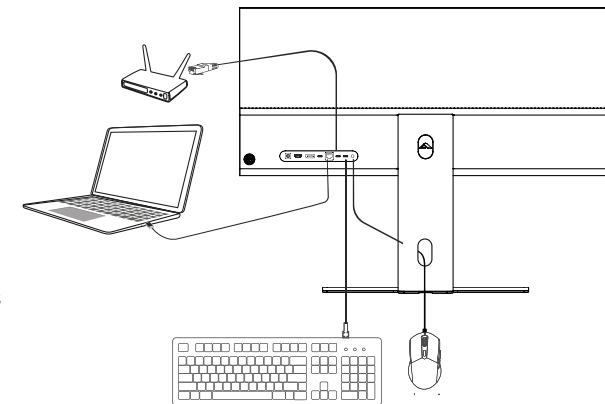
Si su computadora o dispositivo no tiene un puerto USB-C compatible con DisplayPort Alt Mode, le recomendamos conectarlo mediante el cable DisplayPort incluido. Tenga en cuenta que al conectarlo por HDMI, la frecuencia de actualización del monitor se reducirá a 30 Hz al usar resoluciones 5K debido a limitaciones de ancho de banda.



Conexión a accesorios

Cuando esté conectado al 4 puerto USB-C 3.0 Gen 1 (Pantalla) de Edge, su computadora reconocerá automáticamente cualquier accesorio USB-C conectado a los puertos USB 2.0 (Accesorio) de Edge.

Recomendamos utilizar estos puertos para conectar periféricos como ratones y teclados, o dispositivos de datos como discos duros externos.

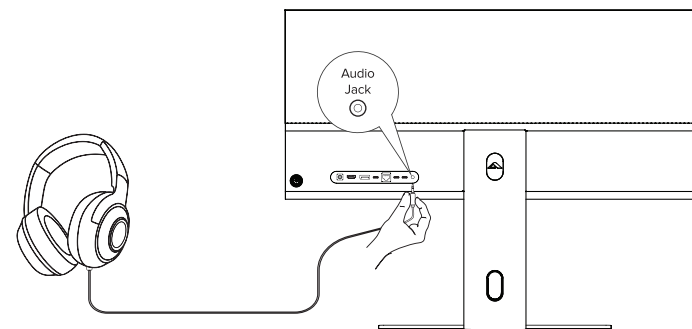


Audio y Edge

Edge tiene parlantes estéreo que se pueden usar cuando está conectado a una fuente de video a través de HDMI, DisplayPort o USB-C (DP Alt Mode). Para hacerlo, simplemente seleccione 40C5KPD en el menú Configuración -> Sonido de su dispositivo.

Además, Edge puede enviar audio a un par de auriculares o parlantes (con alimentación externa) conectados a su puerto de audio de 3,5 mm. Cuando se conecta un dispositivo de audio externo, los parlantes de Edge se desactivarán.

Este puerto de audio de 3,5 mm no se puede utilizar para entrada de audio (micrófonos).



Cargar su computadora con Edge

Edge puede cargar computadoras conectadas por USB-C hasta 90 W. Para hacerlo, simplemente conecte un puerto USB-C compatible con Power Delivery (PD) al puerto USB-C 3.0 Gen 1 (Pantalla) de Edge mediante el cable incluido.

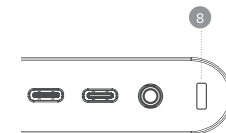
No todos los puertos USB-C son compatibles con PD. Para comprobar si el tuyo lo es, busca el ícono de un enchufe, una batería o un rayo. Muchos puertos no tienen iconos, por lo que recomendamos consultar el manual del producto o el sitio web del fabricante para estar seguro. Todos los puertos Thunderbolt 3 y 4 son compatibles con PD.

Es posible que los suministros de energía de 90 W de Edge no sean suficientes para alimentar algunas computadoras portátiles de alto rendimiento o para juegos cuando se encuentran bajo una carga elevada.

Cómo asegurar el monitor

Puede asegurar el Edge conectando su Kensington Security Slot 8 a cualquier candado Kensington estándar.

Siga las instrucciones incluidas con el candado para instalarlo.





Configurar la resolución correcta para Edge

Si no está seguro, siga los pasos a continuación para asegurarse de que su computadora esté enviando a Edge la transmisión de video correcta.

Windows

1. Abra Configuración desde el menú Inicio de Windows.
2. Navegue hasta "Sistema" y luego "Pantalla".
3. En la esquina inferior izquierda de la ventana que muestra los anuncios, asegúrese de que esté configurado en "Ampliar estos anuncios" y no en "Duplicar estos anuncios".
 - a. Duplicar una pantalla que no sea ultra ancha en Edge puede causar desorden o distorsión visual.
4. Asegúrate de que la resolución sea "5120x2160".
5. En el mismo menú, ajusta la "escala" hasta que el texto sea legible con comodidad. La mayoría de las personas se sienten cómodas al 125% en Edge 5K.

Mac

1. Abra el menú Preferencias del sistema de su computadora (haga clic en el ícono de Apple en la esquina superior izquierda) y navegue hasta Pantalla.
2. Haga clic en su monitor Edge.
3. Asegúrese de que Usar como esté configurado en Pantalla principal o Pantalla extendida, no en Espejo.
 - a. Duplicar una pantalla que no sea ultra ancha en Edge puede causar desorden o distorsión visual.
4. Para maximizar el espacio de pantalla, configura la resolución en "5120x2160".
5. Si el texto es demasiado pequeño a 5120x2160, recomendamos cambiar la resolución a un valor más bajo hasta que sea cómodo (por ejemplo, 2560x1080). Esto no reducirá la resolución (detalle) de la pantalla, simplemente aumentará la escala.

Si esto no resuelve el problema de visualización, comuníquese con el soporte de ALOGIC (support@alogic.co).

Cómo organizar aplicaciones en Edge para realizar múltiples tareas

En las últimas versiones de Windows, macOS y la mayoría de las versiones de Linux, organizar dos ventanas una al lado de la otra es tan fácil como seleccionar y arrastrar una aplicación o ventana hasta el borde de la pantalla, esperar hasta que aparezca un contorno translúcido en la mitad de la pantalla y soltarla.

Para obtener más información sobre estas funciones y consejos avanzados, consulte las páginas de ayuda oficiales de Microsoft y Apple.

Guía de mosaico de aplicaciones de Apple (Inglés)



Guía de ajuste de Windows de Microsoft (Inglés)

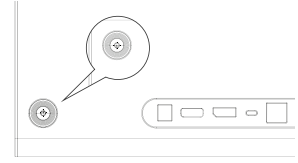


Se pueden configurar diseños más complejos y cambiar fácilmente entre ellos usando utilidades adicionales como PowerToys FancyZones de Microsoft para Windows o la aplicación Triangle en macOS. Están disponibles a través de Google u otros motores de búsqueda.



Comprender los controles de Edge

- Presione el botón del joystick para ingresar al menú de Edge.
- Mueva el joystick para seleccionar la opción del menú que desea ajustar y haga clic en el joystick para comenzar a ajustar, moviendo el joystick hacia la izquierda y hacia la derecha para cambiar la configuración.
- Presione el joystick hacia adentro para guardar el valor modificado.
- Mueva el joystick hacia la izquierda para salir del menú.

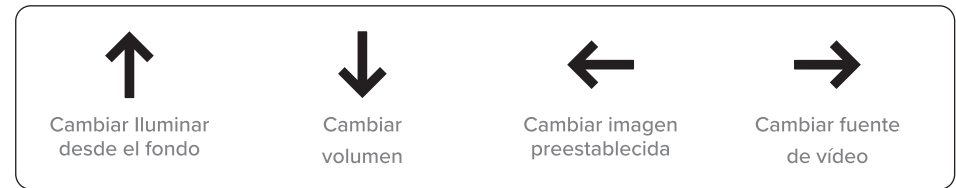


Encendido y apagado de Edge

- Presione el joystick hacia adentro y para encender o apagar el monitor.

Atajos

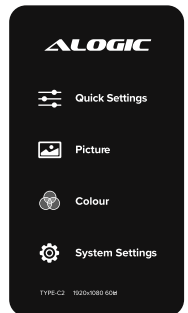
Cuando no hay ningún menú abierto, puede mover el joystick en la siguiente dirección para acceder a las configuraciones utilizadas comúnmente.



Configurar los ajustes de Edge

El menú de Edge está dividido en cuatro secciones para facilitar la navegación.

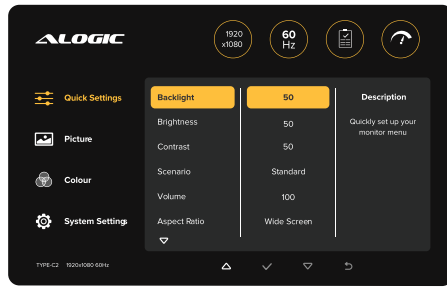
- Configuración rápida: todas las funciones que se ajustan con mayor frecuencia en el monitor.
- Imagen: ajuste las configuraciones sin color que afectan la apariencia de su pantalla.
- Color: ajuste el equilibrio de color de su monitor.
- Sistema: ajuste otras configuraciones del monitor, como Overdrive, Idioma y Modo de suspensión.





Configuración rápida

- Mueva el joystick para desplazarse por las funciones.
- Presione el joystick para ajustar la función seleccionada y guardar los cambios.

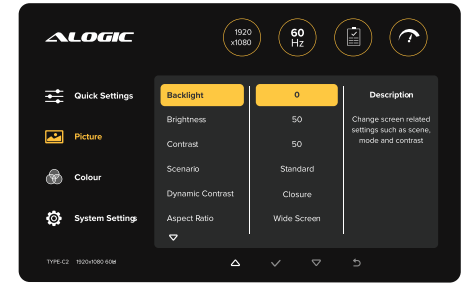


Menú	Descripción
Iluminar desde el fondo	Ajusta la luminosidad de la luz de fondo del monitor. Aumente para obtener una imagen más brillante.
Brillo	Ajusta los detalles en las partes más brillantes de la imagen.
Contraste	Ajusta el detalle visual en las áreas más oscuras de la imagen. Configurar el contraste demasiado alto puede provocar colores distorsionados en las áreas más brillantes del monitor y detalles reducidos en los tonos medios.
Preestablecido	<p>Le permite seleccionar entre perfiles de imagen preconfigurados.</p> <div data-bbox="276 635 619 746" data-label="Image"></div> <ul style="list-style-type: none"> - “Modo estandar” Está diseñado para uso general de computadoras, con un equilibrio de color ligeramente cálido y contraste y brillo promedio. - “Película” Aumenta la intensidad del color y el contraste para hacer que las imágenes sean más impresionantes, pero menos precisas. - “ECO” Reduce el brillo y otras configuraciones para ahorrar energía. - “Usuario” establece todo en neutral, para que puedas ajustar la imagen tú mismo.
Volumen	Ajusta el volumen de los altavoces de su monitor. Los volúmenes más altos pueden resultar en una calidad de audio reducida.
Relación de aspecto	Le permite especificar en qué relación de aspecto su monitor debe mostrar la señal de video. Esto puede ser útil si no detecta correctamente la señal de video y estira la imagen.
Fuente	Le permite especificar si desea que la entrada principal del monitor muestre la señal del puerto HDMI, DisplayPort o USB-C, o simplemente la detecte automáticamente. Esto puede resultar útil si el monitor no detecta correctamente la fuente de video o cuando se utilizan los modos Imagen en imagen.
Reducción de luz azul	Le permite reducir la luz azul que emite su monitor hasta en un 40%. Esto puede reducir la fatiga visual, especialmente en ambientes más oscuros, pero da como resultado una imagen más cálida.
Adaptive Sync	Activa o desactiva Adaptive Sync. Mientras juegas videojuegos, esto puede resultar útil para evitar que la pantalla se rompa y se produzcan tartamudeos relacionados con la sincronización.



Configuración de imagen

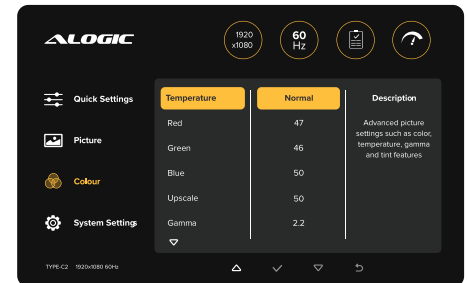
- Mueva el joystick para desplazarse por las funciones.
- Presione el joystick para ajustar la función seleccionada y guardar los cambios.



Menú	Descripción
Iluminar desde el fondo	Consulte Configuración rápida.
Brillo	Consulte Configuración rápida.
Contraste	Consulte Configuración rápida.
Preestablecido	Consulte Configuración rápida.
DCR	Esta configuración habilita o deshabilita el Contraste dinámico de la pantalla, que cambia los valores de brillo y contraste según lo que hay en la pantalla para producir una imagen visualmente más impactante, a costa de la precisión visual. Tenga en cuenta que mientras el Contraste dinámico está activado, se anulan las configuraciones preestablecidas.
Relación de aspecto	Consulte Configuración rápida.
Nitidez	Cambia la forma en que los píxeles se representan uno al lado del otro. Aumentar esta configuración puede ayudar a que el texto y las líneas sean más claros, pero también puede introducir errores visuales.
Ventate multi	Esto le permite habilitar el modo Imagen por imagen (PBP), donde el monitor muestra dos entradas de video (HDMI, DisplayPort o USB-C) una al lado de la otra, o el modo Imagen en imagen (PIP), donde se muestra una señal de video secundaria en la parte superior de la señal principal.
Entrada Sub	Con esta opción, especifica qué otra entrada de video le gustaría usar para PBP o PIP.
Intercambio	Cambia la ventana principal y la secundaria en el modo multiventana.

Configuración de color

- Mueva el joystick para desplazarse por las funciones.
- Presione el joystick para ajustar la función seleccionada y guardar los cambios.

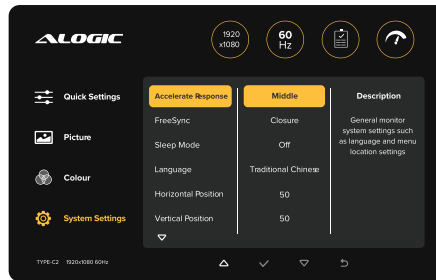




Menú	Descripción
Temperatura	Estas configuraciones te permiten ajustar la temperatura de color de tu monitor, aumentando o disminuyendo cualquiera de los colores para lograr diferentes equilibrios.
Cálido	Enfatiza los colores rojo y amarillo para una sensación más acogedora que puede reducir la fatiga visual.
Fresco	Enfatiza los tonos azules para una apariencia nocturna más fría. Puede aumentar la fatiga visual.
Neutral (7500)	Equilibra los colores para presentar una imagen más realista.
Usuario	Permite ajustar manualmente el balance de rojo, verde y azul (RGB) del monitor.
Avanzada	Requiere seleccionar "Usuario". Permite ajustar el balance de cian, magenta y amarillo (CMY) del monitor, además del RGB.
Gama	Cambia la suavidad con la que los negros del monitor pasan a blanco.
Tinte	Ajusta la temperatura de color de la reproducción de blancos del monitor.
Saturación	Ajusta la intensidad de los colores de tu monitor.
Reducción de luz azul	Consulte Configuración rápida.

Ajustes del sistema

- Mueva el joystick para desplazarse por las funciones.
- Presione el joystick para ajustar la función seleccionada y guardar los cambios.

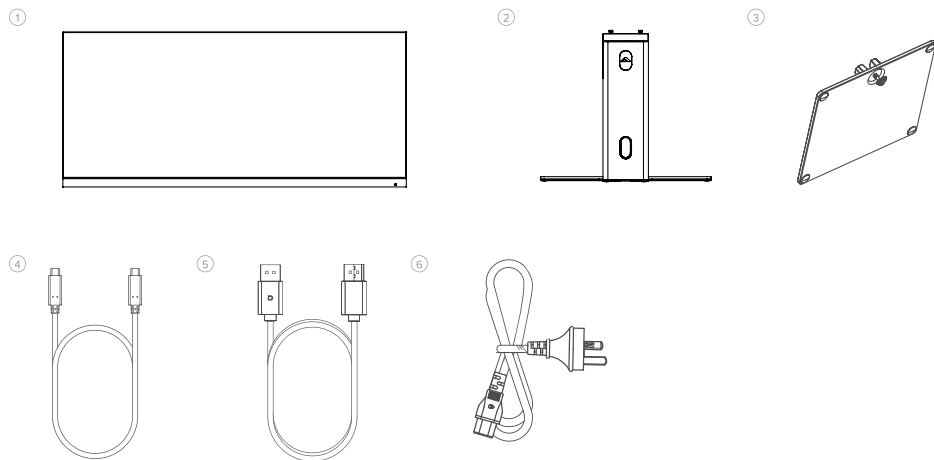


Menú	Descripción
Overdrive	Aumenta el tiempo de respuesta del monitor enviando voltaje adicional a los píxeles. Puede hacer que los juegos se sientan más receptivos, pero puede introducir fallas visuales como imágenes fantasma.
Adaptive Sync	Consulte Acceso rápido.
HDR	Habilita el alto rango dinámico, un modo que puede producir colores y contrastes más ricos al reproducir contenido habilitado para HDR. También debe estar habilitado en su computadora.
Modo de sueño	Cambie cuánto tiempo debe estar inactivo el monitor antes de entrar en modo de suspensión.
Idioma	Cambie el idioma del software del monitor.
Posición horizontal	Cambie la posición horizontal del menú OSD del monitor.
Posición vertical	Cambie la posición vertical del menú OSD del monitor.
Temporizador OSD	Cambie el tiempo que tarda el menú OSD en desaparecer después de la inactividad.
Transparencia OSD	Cambia la opacidad del menú OSD.
Volumen	Consulte Acceso rápido.
Silenciar	Silencia toda la salida de audio del monitor.
Reiniciar	Restaura el monitor a la configuración predeterminada de ALOGIC.

Síntoma	Solución
Edge no se enciende después de presionar el botón de encendido durante seis segundos.	<ul style="list-style-type: none"> • Verifique que el cable de alimentación principal esté bien conectado al adaptador de corriente, esté conectado a una toma de corriente y que la toma de corriente esté encendida. • Verifique que el adaptador de corriente esté conectado firmemente a la parte posterior del monitor.
El monitor no muestra video HDMI o DisplayPort desde la computadora	<ul style="list-style-type: none"> • Verifique que esté conectado un cable de video apropiado entre la computadora y la pantalla y que esté seleccionada la entrada correcta en el monitor. • Verifique la configuración de su computadora para verificar que esté detectando el monitor y que le esté enviando video.
El monitor no muestra video USB-C desde la computadora	<ul style="list-style-type: none"> • Verifique que esté utilizando el cable USB-C que viene con el monitor. • Verifique la configuración de su computadora para verificar que esté detectando el monitor y que le esté enviando video. • Verifique que el puerto USB-C de su computadora al que está conectado el monitor admita la salida de video usando el modo alternativo DisplayPort (modo alternativo DP).
La computadora portátil no se carga cuando se conecta al monitor mediante USB-C	<ul style="list-style-type: none"> • Verifique que el puerto USB-C de su computadora admita la carga utilizando el estándar USB Power Delivery (USB-PD). • Algunas computadoras portátiles requieren más de 90 W de potencia para cargarse. Suelen ser ordenadores de alta gama centrados en gráficos y juegos. • Si es necesario, conecte el adaptador de corriente que viene con la computadora a su computadora portátil además del cable USB-C que está conectado al monitor.

Advertencias

- No coloque el cable de alimentación junto a una fuente de calor.
- El cable de alimentación debe conectarse a una toma de pared con conexión a tierra.
- Utilice únicamente el cable de alimentación suministrado con este monitor.
- Este monitor está diseñado para uso en interiores únicamente.
- Mantenga los embalajes y componentes fuera del alcance de los niños, quienes podrían asfixiarse o atragantarse con determinadas piezas.
- No utilice el monitor en áreas propensas al calor, humo, polvo o humedad.
- Coloque el monitor con cuidado para evitar dañar el vidrio.
- Coloque el monitor únicamente sobre superficies planas que puedan soportar su peso. Debido al peso superior al promedio de este monitor, recomendamos tener especial cuidado para garantizar que la superficie no se incline.
- No lo coloque en el monitor de manera que deje alguna parte sobresaliendo de la superficie sobre la que descansa para minimizar el riesgo de caída.
- Si el monitor emite un sonido inusual o huele a quemado, desconecte inmediatamente el cable de alimentación y comuníquese con el soporte de ALOGIC.

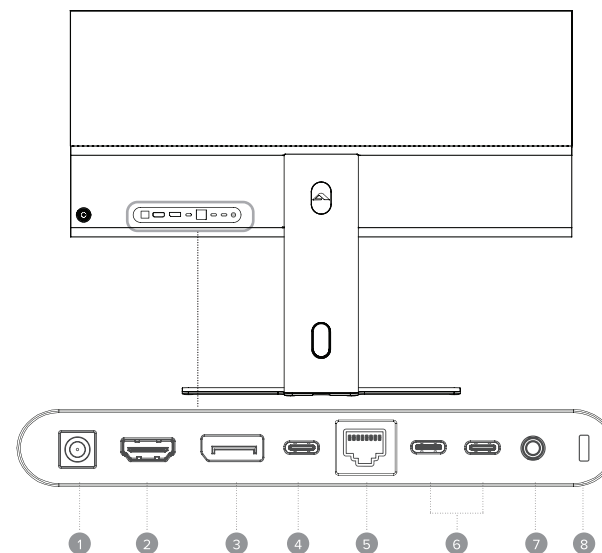


Contenu du colis

①	Edge 5K Moniteur	④	Câble USB-C
②	Tige de support	⑤	Câble DisplayPort
③	Base du support	⑥	Adaptateur secteur

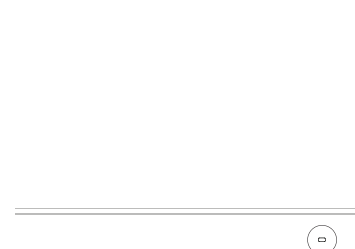
Caractéristiques

Modèle	40C5KPD	Rapport de contraste	1,200:1
Dimensions	Avec support : 941 x 694 x 245mm Sans support : 941 x 419 x 41mm	Profondeur du panneau	8 Bit
Poids	Avec support : 11,61 kg Sans support : 7,46 kg	Précision des couleurs	100% sRGB 100% DCI-P3 94% Adobe RGB
Matériel	ABS, Verre, Aluminium	PIP/PBP	Oui
Adaptateur secteur	180 W 24 V/7,5 A.	Overdrive	Oui
Ratio d'aspect	21:9	Haut-parleurs	3Wx2, 4Ω
Panneau	IPS	Port Ethernet	Gigabits
Résolution	5120x2160	Chargement d'ordinateur portable USB-C	Jusqu'à 90 W de puissance
Fréquence de rafraîchissement	100Hz	HDMI	Version 2.0
Pixels par pouce	138	DisplayPort	Version 1.4
Luminosité	400 nits (typique)	Ports USB-C	3.0 Gen 1 (Port d'affichage) 2.0 (ports accessoires)
Temps de réponse (gris à gris)	14ms (6 ms avec Overdrive)		



Ports du Moniteur

①	Entrée de puissance	Connectez-le à une prise murale à l'aide de l'alimentation fournie avec Edge.
②	HDMI	Connecte Edge à la vidéo. Prend en charge une fréquence de rafraîchissement maximale de 30 Hz en résolution 5K.
③	DisplayPort	Connecte Edge à la vidéo.
④	USB-C (écran + PD)	La meilleure façon de connecter Edge à la vidéo de votre ordinateur et votre ordinateur à la fois au chargeur 90 W et aux accessoires connectés à Edge.
⑤	Ethernet (RJ45)	Peut fournir aux ordinateurs connectés par USB-C un accès à un réseau filaire haut débit et sécurisé.
⑥	USB-C	Ports pour connecter des accessoires USB-C à votre ordinateur, comme une souris et un clavier. Nécessite que votre ordinateur soit connecté par USB-C (Port d'affichage).
⑦	Audio 3,5 mm	Connectez-vous à des écouteurs ou à des haut-parleurs alimentés en externe. Ne prend pas en charge l'entrée des microphones.
⑧	Kensington Security Slot	Vous permet de sécuriser physiquement votre moniteur avec n'importe quel verrou Kensington compatible.



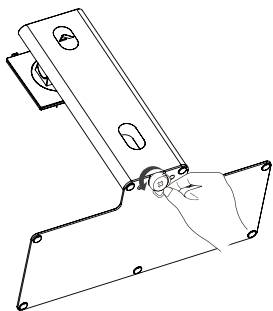
Voyant

Blanc uni		Sous tension
Blanc clignotant		Aucun signal détecté
Pas de lumière		Éteint



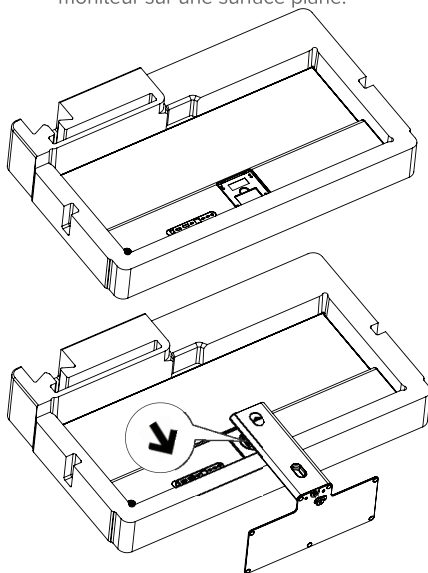
Assemblage du moniteur

- 1 Fixez la tige du support à la base du support. Fixez fermement la tige avec la vis à oreilles située au bas de la base du support.



- 3 Insérez soigneusement le support à l'arrière du moniteur, en prenant soin d'aligner les pointes du support avec les encoches du support du moniteur. Le support s'enclenchera lorsqu'il sera correctement inséré.

- 2 Si vous installez le moniteur pour la première fois, soulevez son sac de voyage pour exposer la zone de montage, tout en le laissant dans la mousse de protection. Sinon, placez délicatement l'écran du moniteur sur une surface plane.



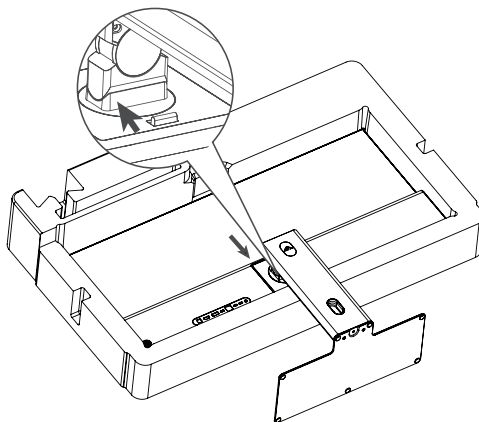
⚠ AVERTISSEMENT!

Ce moniteur a un dos en verre épais. Retirez-le avec précaution pour éviter d'endommager le moniteur. Nous vous recommandons de retirer le moniteur de son emballage avec l'aide d'une autre personne.



Retrait du moniteur du support

- 1 Posez le moniteur sur une surface plane, écran vers le bas.
- 2 Soulevez le levier de déverrouillage sur la tête du support.
- 3 Inclinez doucement le support vers le haut et tirez vers le bas pour le retirer.



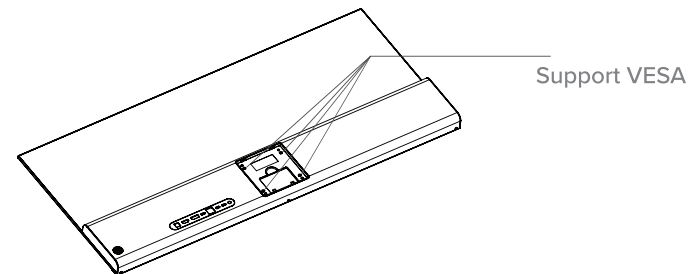
Fixation du moniteur à un support VESA

Edge comporte des trous pour quatre vis de montage dans la section de montage arrière, là où son support se fixe.

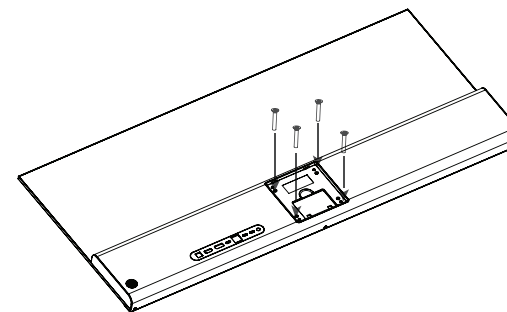
Edge est compatible avec les supports VESA 100 x 100 mm qui peuvent supporter son poids, même s'il faut faire attention car il est à la fois inhabituellement lourd et inhabituellement large pour un moniteur de sa taille, et peut ne pas fonctionner avec tous les supports annoncés comme compatibles avec 34/40" moniteurs.

Lors de la connexion d'Edge à un support tiers, nous vous recommandons d'utiliser les vis de montage M4 10mm. L'utilisation de vis plus courtes peut entraîner une connexion non sécurisée, tandis que des vis plus longues peuvent endommager Edge.

- 1 Avec le moniteur déconnecté de son support, posez-le écran vers le bas sur une surface plane.



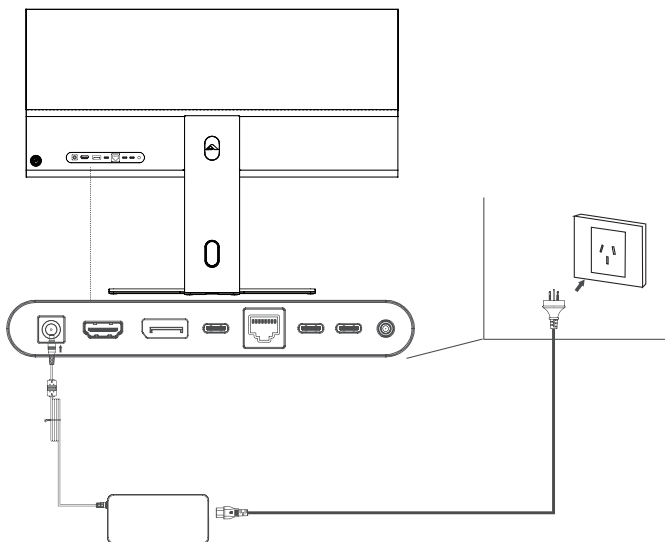
- 2 Suivez les instructions de votre support VESA compatible 100 x 100 mm, en prenant soin de ne pas trop serrer les vis de montage, ce qui pourrait endommager votre moniteur.



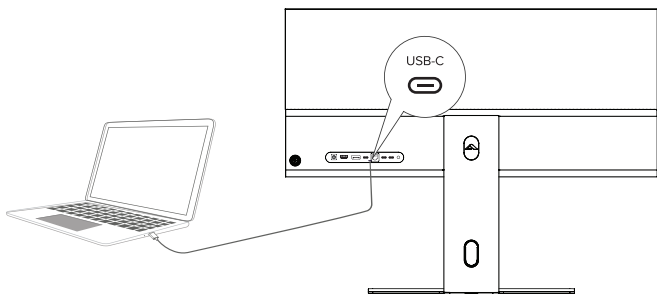


Connexion de votre moniteur

- Tout d'abord, connectez Edge à une prise murale à l'aide de l'adaptateur secteur et du câble fournis.
- Ensuite, appuyez et maintenez le joystick à l'arrière du Edge pour allumer ou éteindre le moniteur.



Nous vous recommandons de vous connecter à Edge avec le câble USB-C inclus si votre ordinateur dispose d'un port USB-C compatible avec le mode Alt DisplayPort (DP), car cela permettra à votre ordinateur de recevoir jusqu'à 90 W de charge ainsi que de se connecter à l'Ethernet d'Edge et Ports accessoires USB-C.



Il peut être difficile de savoir si votre ordinateur dispose d'un port USB-C compatible DP Alt Mode. Le moyen le plus fiable de déterminer quels ports USB-C sont compatibles DP Alt Mode est de consulter le manuel de votre ordinateur ou la page Web du fabricant. Ils sont parfois marqués d'un écran ou d'une icône DisplayPort.

Tous les ports Thunderbolt 3 et Thunderbolt 4 sont compatibles avec le mode DP Alt et l'alimentation USB-C. Tous les ports USB-C des MacBook modernes sont Thunderbolt 3 ou 4.

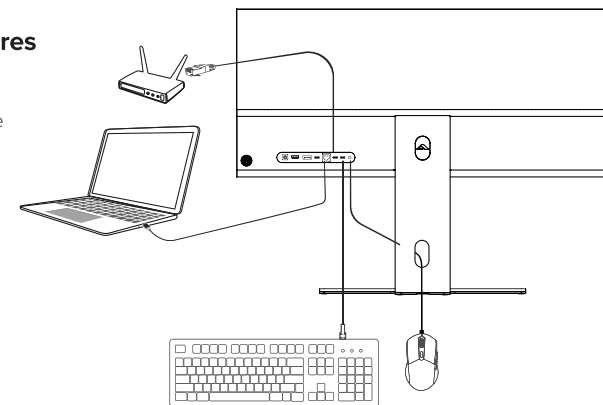
Si votre ordinateur ou appareil ne dispose pas d'un port USB-C DP Alt Mode compatible, nous vous recommandons de le connecter via le câble DisplayPort fourni. Notez qu'en cas de connexion HDMI, la fréquence de rafraîchissement du moniteur chutera à 30 Hz en résolution 5K en raison des limitations de bande passante.



Connexion aux Accessoires

Lorsqu'il est connecté au ④ port USB-C 3.0 Gen 1 (Port d'affichage) d'Edge, votre ordinateur reconnaît automatiquement tous les accessoires USB-C connectés aux ports USB 2.0 (accessoire) d'Edge.

Nous vous recommandons d'utiliser ces ports pour connecter des périphériques comme des souris et des claviers, ou des périphériques de données comme des disques durs externes.

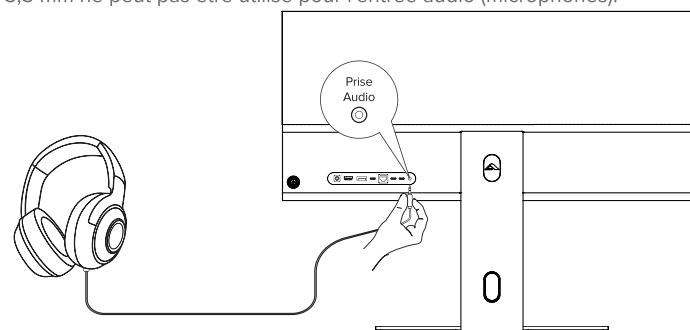


Audio et Edge

Edge dispose de haut-parleurs stéréo qui peuvent être utilisés lorsqu'il est connecté à une source vidéo via HDMI, DisplayPort ou USB-C (DP Alt Mode). Pour ce faire, sélectionnez simplement 40C5KPD dans le menu Paramètres -> Son de votre appareil.

De plus, Edge peut envoyer de l'audio à une paire d'écouteurs ou à des haut-parleurs (alimentés en externe) connectés à son port audio 3,5 mm. Lorsqu'un périphérique audio externe est connecté, les haut-parleurs d'Edge seront désactivés.

Ce port audio 3,5 mm ne peut pas être utilisé pour l'entrée audio (microphones).



Charger votre ordinateur avec Edge

Edge peut charger les ordinateurs connectés en USB-C jusqu'à 90 W. Pour ce faire, connectez simplement un port USB-C compatible Power Delivery (PD) au port USB-C 3.0 Gen 1 (d'affichage) d'Edge via le câble inclus.

Tous les ports USB-C ne sont pas compatibles PD. Pour vérifier si c'est le cas, recherchez une icône de prise, de batterie ou d'éclair. De nombreux ports n'ont pas d'icônes, nous vous recommandons donc de consulter le manuel du produit ou le site Web du fabricant pour vous en assurer. Tous les ports Thunderbolt 3 et 4 sont compatibles PD.

Les alimentations Edge de 90 W peuvent ne pas suffire à alimenter certains ordinateurs portables performants ou de jeu lorsqu'ils sont soumis à une charge élevée.

Sécuriser votre écran

Vous pouvez sécuriser physiquement votre Edge en connectant son Kensington Security Slot ⑧ à n'importe quel verrou Kensington standard. Suivez les instructions fournies avec votre verrou pour le fixer.





Définition de la résolution correcte pour Edge

Si vous n'êtes pas sûr, suivez les étapes ci-dessous pour vous assurer que votre ordinateur envoie à Edge le bon flux vidéo.

Windows

1. Ouvrez « Paramètres » dans le menu Démarrer de Windows.
2. Accédez à « Système » puis à « Affichage ».
3. Dans le coin inférieur gauche de la fenêtre affichant les écrans, assurez-vous qu'il est défini sur « Étendre ces écrans » et non sur « Dupliquer ces écrans ».
 - a. La duplication d'un écran non ultra-large sur Edge peut entraîner des problèmes visuels ou des distorsions.
4. Assurez-vous que la résolution est réglée sur « 5120 x 2160 ».
5. Dans le même menu, ajustez l'échelle jusqu'à ce que le texte soit lisible. La plupart des utilisateurs trouvent une résolution de 125 % confortable sur Edge 5K.

Mac

1. Ouvrez le menu « Paramètres système » de votre ordinateur (cliquez sur l'icône Apple dans le coin supérieur gauche) et accédez à « Écrans ».
2. Cliquez sur votre moniteur Edge.
3. Assurez-vous que « Utiliser comme » est défini sur « Affichage principal » ou « Affichage étendu », et non sur « Miroir ».
 - a. La duplication d'un écran non ultra-large sur Edge peut entraîner des problèmes visuels ou des distorsions.
4. Pour un espace d'écran maximal, réglez la résolution sur « 5120 x 2160 ».
5. Si le texte est trop petit à 5120 x 2160, nous vous recommandons de réduire la résolution jusqu'à ce qu'elle soit confortable (par exemple, 2560 x 1080). Cela ne réduira pas la résolution (les détails) à l'écran, mais augmentera simplement l'échelle.

Si cela ne résout pas votre problème d'affichage, veuillez contacter le support ALOGIC (support@alogic.co).

Comment organiser les applications sur Edge pour le multitâche

Sur les dernières versions de Windows, macOS et la plupart des versions de Linux, organiser deux fenêtres côte à côte est aussi simple que de sélectionner et de faire glisser une application ou une fenêtre vers le bord de l'écran, d'attendre qu'un contour translucide apparaisse sur la moitié de l'écran, puis de relâcher.

Pour plus d'informations sur ces fonctionnalités et des conseils avancés, consultez les pages d'aide officielles de Microsoft et d'Apple.

Guide de mosaïque d'applications d'Apple (Anglais)



Guide d'alignement Windows de Microsoft (Anglais)

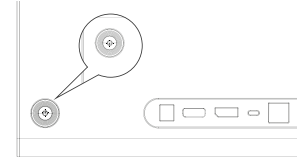


Des dispositions plus complexes peuvent être configurées et facilement commutées à l'aide d'utilitaires supplémentaires, tels que « PowerToys FancyZones » de Microsoft pour Windows ou l'application « Rectangle » sur macOS, qui sont disponibles via Google ou d'autres moteurs de recherche.



Comprendre les contrôles d'Edge

- Appuyez sur le bouton du joystick pour accéder au menu d'Edge.
- Déplacez le joystick pour sélectionner l'option de menu que vous souhaitez régler et cliquez sur le joystick pour démarrer le réglage, en déplaçant le joystick vers la gauche et la droite pour modifier le paramètre.
- Appuyez sur le joystick pour enregistrer la valeur modifiée.
- Déplacez le joystick vers la gauche pour quitter le menu.



Allumer et éteindre Edge

- Appuyez sur le joystick et maintenez-le enfoncé pendant 6 secondes pour allumer ou éteindre le moniteur.

Raccourcis

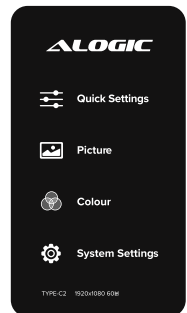
Lorsqu'aucun menu n'est ouvert, vous pouvez déplacer le joystick dans la direction suivante pour accéder aux paramètres couramment utilisés.



Configuration des paramètres d'Edge

Le menu d'Edge est divisé en quatre sections pour une navigation facile.

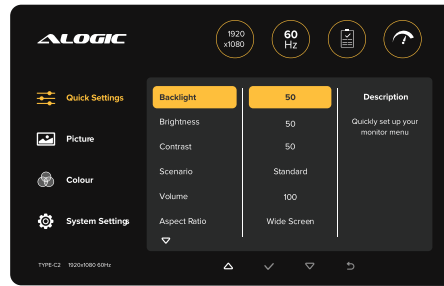
- **Paramètres rapides** : toutes les fonctionnalités les plus couramment ajustées du moniteur.
- **Image** : ajustez les paramètres autres que les couleurs qui ont un impact sur l'apparence de votre écran.
- **Couleur** : Ajustez la balance des couleurs de votre moniteur.
- **Système** : ajustez d'autres paramètres du moniteur, tels que Overdrive, Langue et Mode veille.









Paramètres Rapides

- Déplacez le joystick pour faire défiler les fonctions.
- Appuyez sur le joystick pour régler la fonction sélectionnée et enregistrer vos modifications.

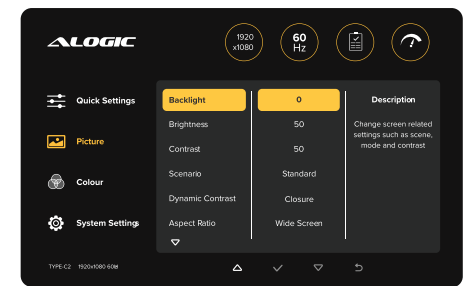


Menu	Description
Rétroéclairage	Ajuste la luminosité du rétroéclairage du moniteur. Augmentez pour une image plus lumineuse.
Luminosité	Ajuste les détails dans les parties les plus lumineuses de l'image.
Contraste	Ajuste les détails visuels dans les zones les plus sombres de votre image. Un contraste trop élevé peut entraîner une distorsion des couleurs dans les zones les plus lumineuses de votre moniteur et une réduction des détails dans les tons moyens.
Préréglage	Vous permet de choisir entre des profils d'image préconfigurés. <div style="display: flex; justify-content: space-around; align-items: center; margin: 10px 0;"> <div style="text-align: center;">  <p>La Norme</p> </div> <div style="text-align: center;">  <p>Mode Cine</p> </div> <div style="text-align: center;">  <p>Mode ECO</p> </div> <div style="text-align: center;">  <p>Mode utilisateur</p> </div> </div> <ul style="list-style-type: none"> - “La Norme” Est conçu pour une utilisation générale sur ordinateur, avec une balance des couleurs légèrement chaude et un contraste et une luminosité moyens. - “Cine” Augmente l'éclat et le contraste des couleurs pour rendre les images plus impressionnantes, mais moins précises. - “ECO” Réduit la luminosité et d'autres paramètres pour économiser de l'énergie. - “Utilisateur” règle tout sur neutre, afin que vous puissiez ajuster l'image vous-même.
Volume	Ajuste le volume des haut-parleurs de votre moniteur. Des volumes plus élevés peuvent entraîner une qualité audio réduite.
Ratio d'aspect	Vous permet de spécifier le format d'image dans lequel votre moniteur doit afficher le signal vidéo. Cela peut être utile s'il ne détecte pas correctement le signal vidéo et étire l'image.
Source	Vous permet de spécifier si vous souhaitez que l'entrée principale du moniteur affiche le signal du port HDMI, DisplayPort ou USB-C, ou simplement une détection automatique. Cela peut être utile si le moniteur ne détecte pas correctement votre source vidéo ou lors de l'utilisation des modes Image dans l'image.
Blue Light Shift	Vous permet de réduire la lumière bleue émise par votre moniteur jusqu'à 40 %. Cela peut réduire la fatigue oculaire, en particulier dans les environnements plus sombres, mais donne une image plus chaude.
Adaptive Sync	Active ou désactive Adaptive Sync. Lorsque vous jouez à des jeux vidéo, cela peut être utile pour éviter les déchirures d'écran et les bégaiements liés à la synchronisation.



Paramètres d'image

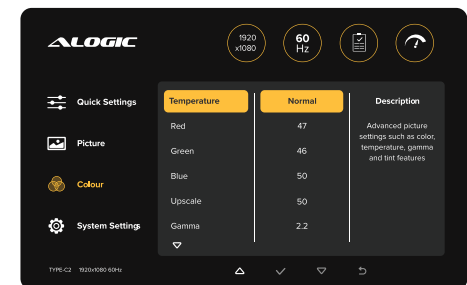
- Déplacez le joystick pour faire défiler les fonctions.
- Appuyez sur le joystick pour régler la fonction sélectionnée et enregistrer vos modifications.



Menu	Description
Rétroéclairage	Voir Paramètres rapides.
Luminosité	Voir Paramètres rapides.
Contraste	Voir Paramètres rapides.
Prérégl	Voir Paramètres rapides.
DCR	Ce paramètre active ou désactive le contraste dynamique de l'écran, qui modifie les valeurs de luminosité et de contraste en fonction de ce qui est à l'écran pour produire une image plus percutante visuellement, au détriment de la précision visuelle. Notez que lorsque le contraste dynamique est activé, les paramètres prédéfinis sont remplacés.
Ratio d'aspect	Voir Paramètres rapides.
Clarté	Modifie la façon dont les pixels s'affichent les uns à côté des autres. Augmenter ce paramètre peut contribuer à rendre le texte et les lignes plus clairs, mais peut également introduire des erreurs visuelles.
Multi fenêtre	Cela vous permet d'activer le mode Image par image (PBP), où le moniteur affiche deux entrées vidéo (HDMI, DisplayPort ou USB-C) côte à côte, ou le mode Image dans l'image (PIP) où un signal vidéo secondaire est affiché en haut. du signal principal.
Entrée secondaire	Avec cette option, vous spécifiez quelle autre entrée vidéo vous souhaitez utiliser pour PBP ou PIP.
Échange	Bascule la fenêtre principale et la fenêtre secondaire en mode multi-fenêtres.

Paramètres de couleur

- Déplacez le joystick pour faire défiler les fonctions.
- Appuyez sur le joystick pour régler la fonction sélectionnée et enregistrer vos modifications.

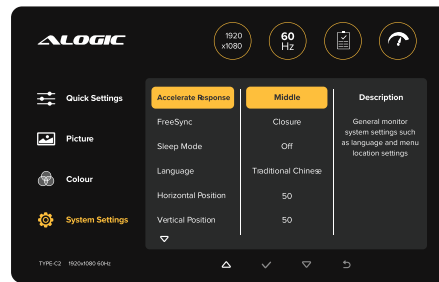




Menu	Description
Température	Ces paramètres vous permettent d'ajuster la température de couleur de votre moniteur, en augmentant ou en diminuant l'une des couleurs pour obtenir différents équilibres.
Chaud	Met l'accent sur les couleurs rouge et jaune pour une sensation plus confortable qui peut réduire la fatigue oculaire.
Cool	Met l'accent sur les teintes bleues pour un look nocturne plus froid. Peut augmenter la fatigue oculaire.
Neutre (7500)	Équilibre les couleurs pour présenter une image plus réaliste.
Utilisateur	Permet de régler manuellement la balance des couleurs RVB (Rouge, Vert et Bleu).
Avancée	Nécessite la sélection de « Utilisateur ». Permet de régler la balance des couleurs Cyan, Magenta et Jaune (CMJ) du moniteur, en plus du RVB.
Gamma	Modifie la douceur avec laquelle les noirs du moniteur passent au blanc.
Teinte	Ajuste la température de couleur de la reproduction du blanc du moniteur.
Saturation	Ajuste l'intensité des couleurs de votre moniteur.
Blue Light Shift	Voir Accès rapide.

Les paramètres du système

- Déplacez le joystick pour faire défiler les fonctions.
- Appuyez sur le joystick pour régler la fonction sélectionnée et enregistrer vos modifications.



Menu	Description
Overdrive	Augmente le temps de réponse du moniteur en envoyant une tension supplémentaire aux pixels. Peut rendre les jeux plus réactifs, mais peut introduire des problèmes visuels tels que des images fantômes.
Adaptive Sync	Voir Accès rapide.
HDR	Active la plage dynamique élevée, un mode qui peut produire des couleurs et des contrastes plus riches lors de la lecture de contenu compatible HDR. Doit également être activé sur votre ordinateur.
Mode veille	Modifiez la durée pendant laquelle le moniteur doit rester inactif avant de passer en mode veille.
Langue	Changez la langue du logiciel du moniteur.
Position horizontale	Modifiez la position horizontale du menu OSD du moniteur.
Position verticale	Modifiez la position verticale du menu OSD du moniteur.
Minuterie OSD	Modifiez le temps nécessaire à la disparition du menu OSD après une inactivité.
Transparence OSD	Modifiez l'opacité du menu OSD.
Volume	Voir Accès rapide.
Muet	Coupe toutes les sorties audio du moniteur.
Réinitialiser	Restaure le moniteur aux paramètres par défaut d'ALOGIC.

Symptôme	Solution
Edge ne s'allume pas après avoir appuyé sur le bouton d'alimentation pendant six secondes.	<ul style="list-style-type: none"> • Vérifiez que le cordon d'alimentation secteur est solidement fixé à l'adaptateur secteur, qu'il est connecté à une prise de courant et que la prise de courant est allumée. • Vérifiez que l'adaptateur secteur est correctement connecté à l'arrière du moniteur.
Le moniteur n'affiche pas la vidéo HDMI ou DisplayPort de l'ordinateur	<ul style="list-style-type: none"> • Vérifiez qu'un câble vidéo approprié est connecté entre l'ordinateur et l'écran et que l'entrée correcte est sélectionnée sur le moniteur. • Vérifiez les paramètres de votre ordinateur pour vérifier qu'il détecte le moniteur et qu'il y envoie de la vidéo.
Le moniteur n'affiche pas la vidéo USB-C de l'ordinateur	<ul style="list-style-type: none"> • Vérifiez que vous utilisez le câble USB-C fourni avec le moniteur. • Vérifiez les paramètres de votre ordinateur pour vérifier qu'il détecte le moniteur et qu'il y envoie de la vidéo. • Vérifiez que le port USB-C de votre ordinateur auquel le moniteur est connecté prend en charge la sortie vidéo en utilisant le mode alternatif DisplayPort (mode DP Alt.).
L'ordinateur portable ne se charge pas lorsqu'il est connecté au moniteur via USB-C	<ul style="list-style-type: none"> • Vérifiez que le port USB-C de votre ordinateur prend en charge le chargement à l'aide de la norme USB Power Delivery (USB-PD). • Certains ordinateurs portables nécessitent plus de 90 W de puissance pour se charger. Il s'agit généralement d'ordinateurs graphiques haut de gamme et axés sur les jeux. • Si nécessaire, connectez l'adaptateur secteur fourni avec l'ordinateur à votre ordinateur portable en plus du câble USB-C connecté au moniteur.

Avertissements

- Ne placez pas le cordon d'alimentation à côté d'une source de chaleur.
- Le cordon d'alimentation doit être connecté à une prise murale mise à la terre.
- Utilisez uniquement le cordon d'alimentation fourni avec ce moniteur.
- Ce moniteur est conçu pour une utilisation en intérieur uniquement.
- Conserver l'emballage et les composants hors de portée des enfants, qui pourraient s'étouffer ou s'étouffer avec certaines pièces.
- N'utilisez pas le moniteur dans des zones sujettes à la chaleur, à la fumée, à la poussière ou à l'humidité.
- Posez le moniteur doucement pour éviter d'endommager le verre.
- Placez le moniteur uniquement sur des surfaces planes pouvant supporter son poids. En raison du poids supérieur à la moyenne de ce moniteur, nous vous recommandons de faire très attention à ce que la surface ne soit pas inclinée.
- Ne placez pas le moniteur de manière à ce qu'une partie dépasse de la surface sur laquelle il repose afin de minimiser le risque de chute.
- Si le moniteur émet un son inhabituel ou si vous sentez une odeur de brûlé, débranchez immédiatement le cordon d'alimentation et contactez l'assistance ALOGIC.

FCC Compliance Statement

This device complies with Part 15 of the FCC Rules. Operation is subject to the following two conditions:

- (1) this device may not cause harmful interference, and
- (2) this device must accept any interference received, including interference that may cause undesired operation.

NOTE: Changes or modifications not expressly approved by the party responsible for compliance could void the user's authority to operate the equipment.

Declaración de Cumplimiento FCC

Este dispositivo cumple con la Parte 15 de las reglas de la FCC. El funcionamiento está sujeto a las dos condiciones siguientes:

- (1) Este dispositivo puede no causar interferencias perjudiciales y
- (2) Este dispositivo debe aceptar cualquier interferencia recibida, incluidas las interferencias que puedan causar un funcionamiento no deseado.

NOTA: Cambios o modificaciones no aprobados expresamente por la parte responsable del cumplimiento pueden invalidar la autoridad del usuario para operar el equipo.

Responsible Party - U.S. Contact Information

ALOGIC USA LLC
3730 Parish Ave
Fremont CA 94536 USA

EU Declaration of Conformity

Hereby, ALOGIC Corporation declares that this product is in compliance with Directive 2014/53/EU. The full text of the EU declaration of conformity is available at the following internet address by clicking on the Compliance Documentation link: www.alogic.co



The terms HDMI and HDMI High-Definition Multimedia Interface, and the HDMI Logo are trademarks or registered trademarks of HDMI Licensing Administrator, Inc. in the United States and other countries.



Designed in Australia. Manufactured in China