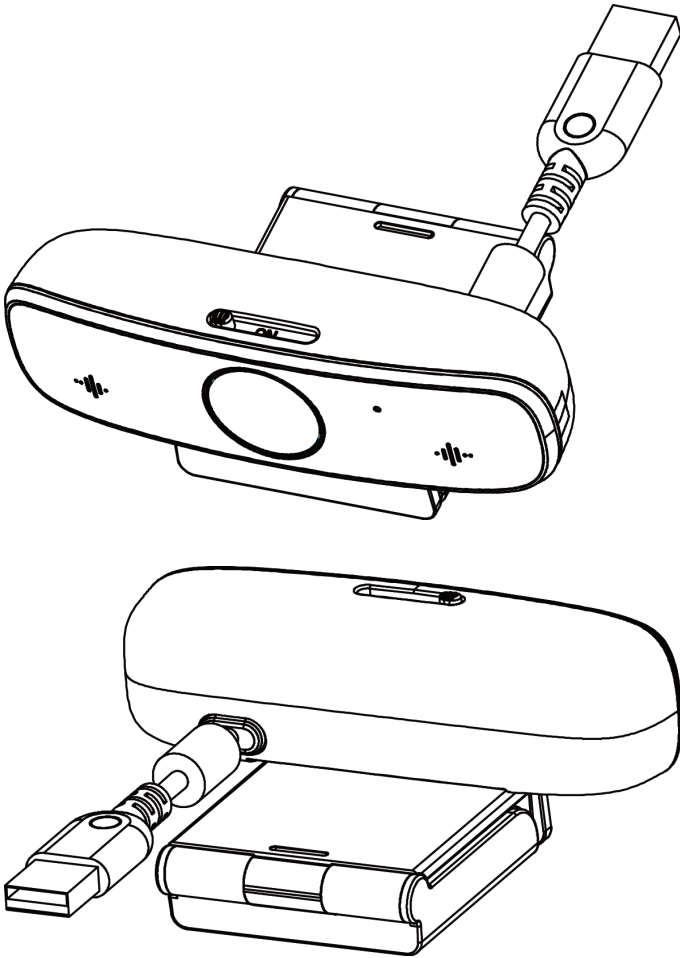


# ROCWARE RC19 Quick Start Guide

## 1 Product Appearance



## 2 Packing List

| Name              | Quantity |
|-------------------|----------|
| Camera            | 1        |
| Quick Start Guide | 1        |

## 3 Product Features

### 1080P UHD

Support 1080P full HD, can provide 1080P@30fps/25fps image coding output and downward compatible with 720P equal resolution.

### USB 2.0

Full-featured USB 2.0 interface, power supply, video and audio all in one.

### Built-in Microphone

Built-in microphone array with pickup distance up to 6 meters, unique Automatic Gain Control, Noise Reduction algorithm, make your voice perfect presentation.

### EPTZ

There is no need for mechanical transmission, which realizes more accurate rotation, no noise, more reliable and durable pan-tilt function, and supports 4x digital zoom function.

### Built-in Physical Privacy Mask

Equipped with an integrated sliding privacy cover to ensure privacy.

### Low Illumination

The application of 2D and 3D noise reduction algorithm greatly reduces the image noise. Even under the condition of ultra-low illumination, it still keeps the picture clean and clear, and the SNR of image is as high as 55dB.

### Easy Installation

The standard damping rotary support compatible with almost 100% display devices on market, easy to install, stable and reliable.

## 4 Product Specifications

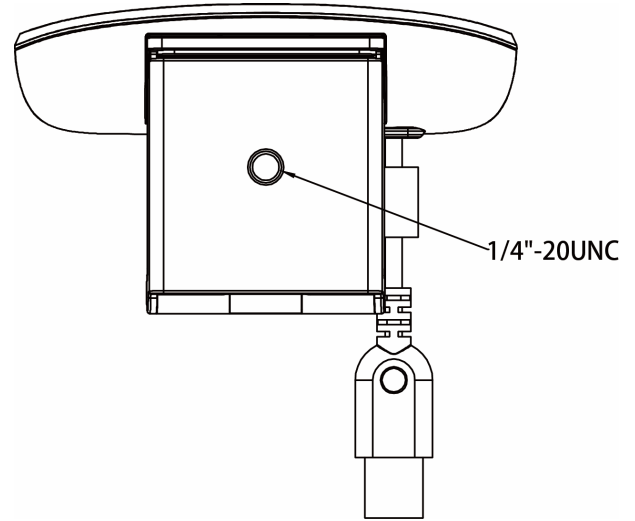
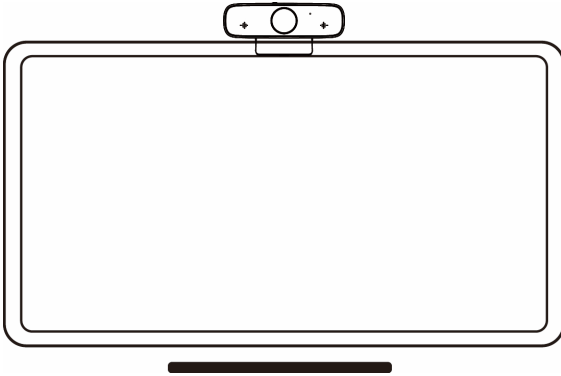
| Camera                  |   |
|-------------------------|---|
| Sensor                  | 1/2.7", CMOS, Effective Pixel: 2.07M        |
| Scanning Mode           | Progressive                                 |
| Lens Mount              | M12   |
| Lens                    | Focus: f=2.8mm                              |
| Minimal Illumination    | 0.5 Lux @ (F2.2, AGC ON)                    |
| Shutter                 | 1/30s ~ 1/10000s                            |
| White Balance           | Auto, Manual                                |
| Camera Bracket          | Standard Damping Rotary Support             |
| Digital Noise Reduction | 2D&3D Digital Noise Reduction               |
| Backlight Compensation  | Support                                     |
| Digital Zoom            | 4x  |
| AF                      | Support                                     |
| USB Features            |   |
| Operate System          | Windows 7/8/10, Mac OS X, Linux, Android    |
| Color/Compression       | MJPEG/YUY2/H.264                            |
| Video Format            | Up to 1080P@30fps/25fps                     |
| Communication Protocol  | UVC 1.1                                     |
| UAC                     | Support                                     |
| EPTZ                    | Support Panning and Zooming                 |
| Input/Output Interface  |   |
| USB Interface           | 1 x USB 2.0: Type A                         |
| Physical Parameter      |   |
| Input Voltage           | 5V (USB power supply)                       |
| Input Current           | 0.2A  |
| Operating Temperature   | 0°C ~ 40°C                                  |
| Storage Temperature     | -40°C ~ 60°C                                |
| Power Consumption       | 1W  |
| Dimension               | 103.9mm x 26.8mm x 29.9mm (without bracket) |
| Net Weight              | 0.2Kg                                       |



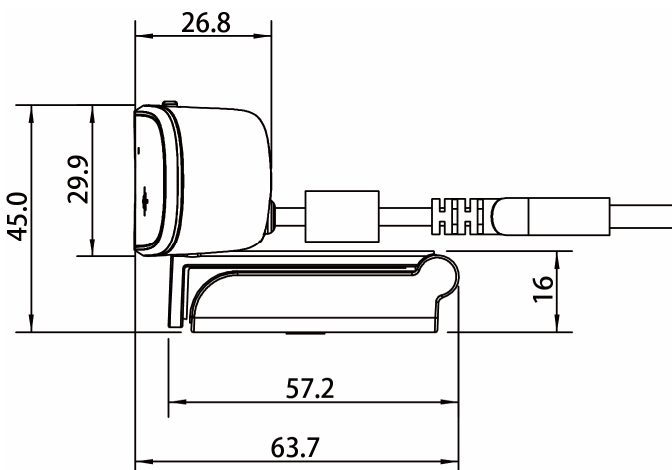
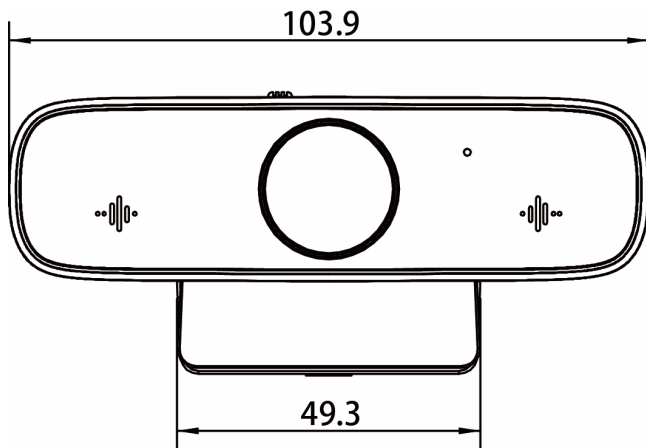
The manual white balance, digital zoom, EPTZ and other functions can only be realized by using an application with this function.

## 5 Camera Installation

When the monitor thickness is less than or equal to 45mm, the mounting method can be selected to mount the conference camera product on the monitor. The specific installation is shown in the following figure:



## 6 Installation Dimension



## 7 Maintenance and Troubleshooting

### Camera Maintenance

- If the camera is not in long-term use, please disconnect the power switch after use.
- Use soft cloth or cotton paper to remove dust from the camera housing.
- When cleaning the camera lens, please use dry soft cloth to wipe, if dirt is serious, use neutral cleaner gently. Do not use strong or corrosive detergent, lest the lens scratch, affect the image effect.

### Avoid Using

- Do not shooting particularly bright objects, such as sunlight, lights, etc.
- Do not work under unstable lighting conditions, otherwise the image will flash.
- Do not use around facilities that can transmit high-power radio waves, such as television station or radio-transmitting station.

### Troubleshooting

- Image jitters after the camera is properly connected
  - 1) Check whether the camera installed position be stabled.
  - 2) Check whether have vibrating machinery or object near the camera.

## 8 Toxic and Harmful Substances

| Part Name     | Toxic or harmful substances or elements |      |      |        |       |        |
|---------------|---|------|------|--------|-------|--------|
|               | (Pb)                                    | (Hg) | (Cd) | (CrVI) | (PBB) | (PBDE) |
| Metal         | x                                       | O    | O    | O      | O     | O      |
| Plastic       | O                                       | O    | O    | O      | O     | O      |
| Glass         | x                                       | O    | O    | O      | O     | O      |
| Circuit board | x                                       | O    | O    | O      | O     | O      |
| Power         | x                                       | O    | O    | O      | O     | O      |
| Attached      | x                                       | O    | O    | O      | O     | O      |

This form is compiled in accordance with SJ/T 11364.

O: Indicates that the content of the hazardous substance in all homogenized materials of the component is subject to the limit specified in GB/T 26572.

x: Said the hazardous substance in at least one of the components homogenized material content in excess of the GB/T 26572 limit requirements, and there are no mature alternatives.