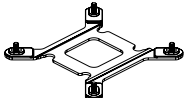
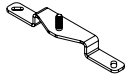




Parts List



A x 1



B x 2



C x 4



D x 4



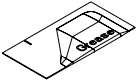
E x 4



F x 2



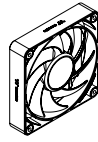
G x 4



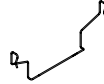
H x 1



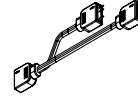
I x 1



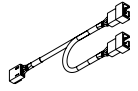
J x 2



K x 4



L x 1

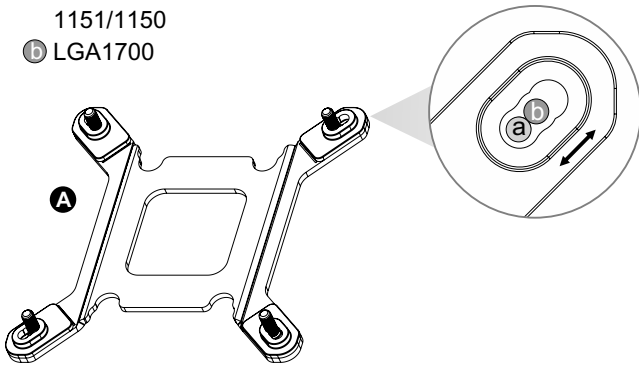


M x 1

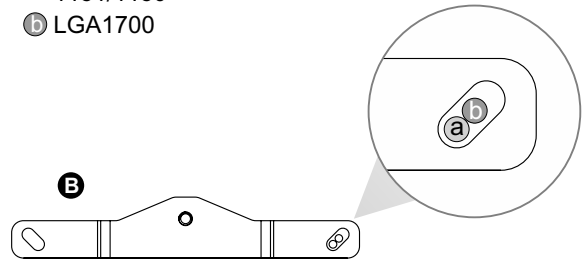
Intel Installation Guide

1

Ⓐ LGA1200/1156/1155/
1151/1150
Ⓑ LGA1700



Ⓐ LGA1200/1156/1155/
1151/1150
Ⓑ LGA1700



2

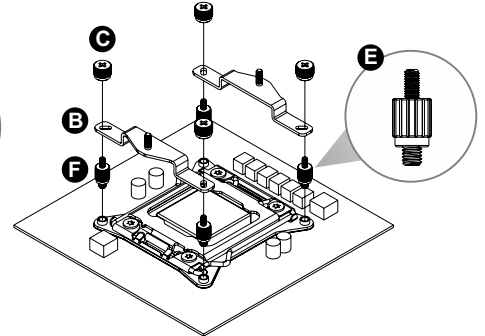
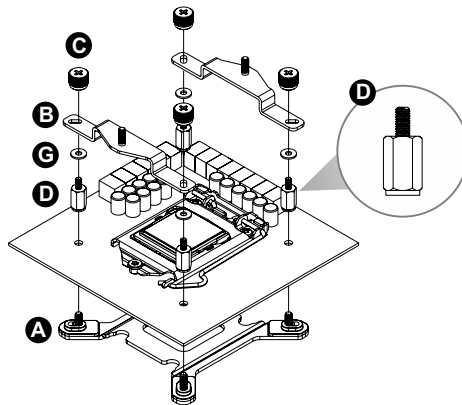
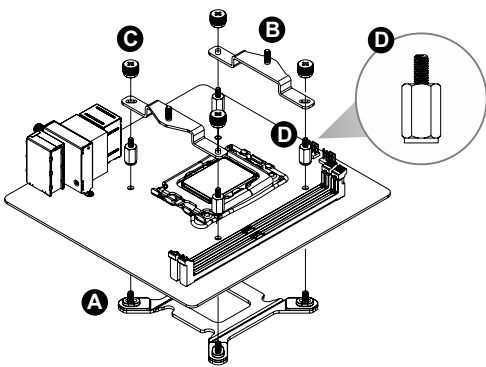
LGA1700

or

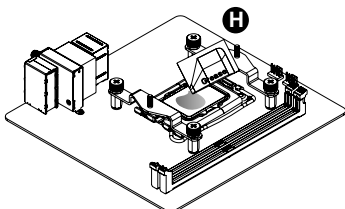
LGA1200/115X

or

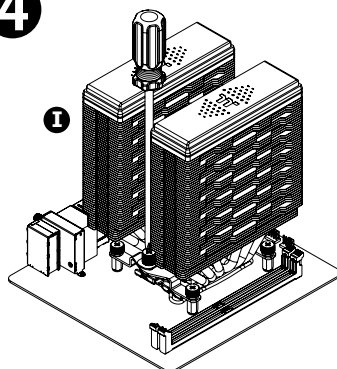
LGA2600/2011



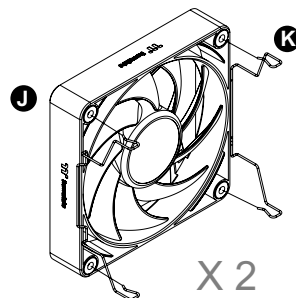
3



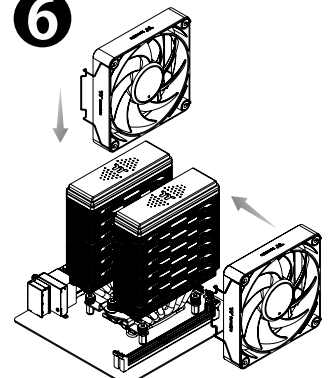
4



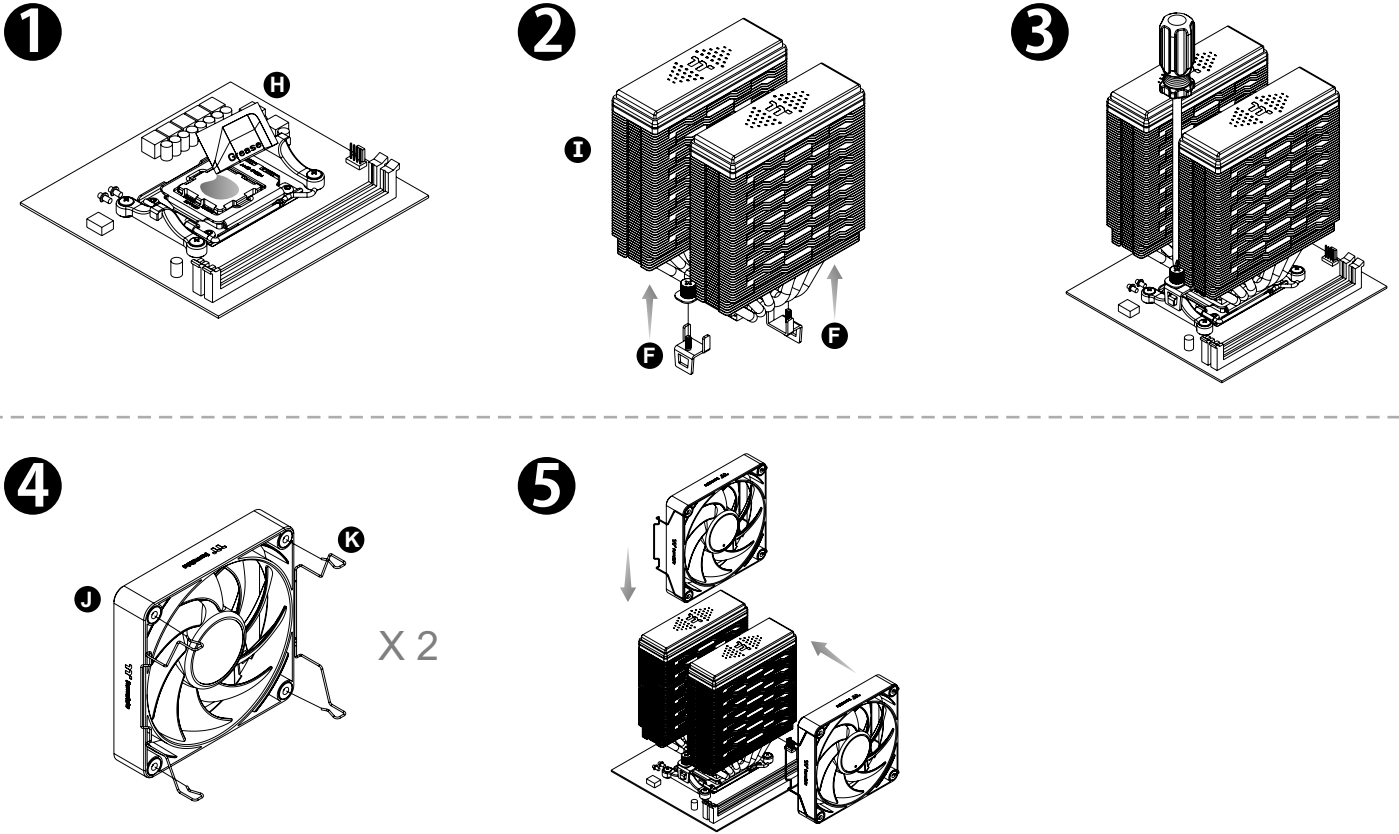
5



6



AMD Installation Guide



Fan & MB SYNC Installation Guide

CAUTION Please power off the PC and check the Positive and Negative ends on the connector before connecting the cable to mainboard. Connecting the wrong end can damage the fans.

